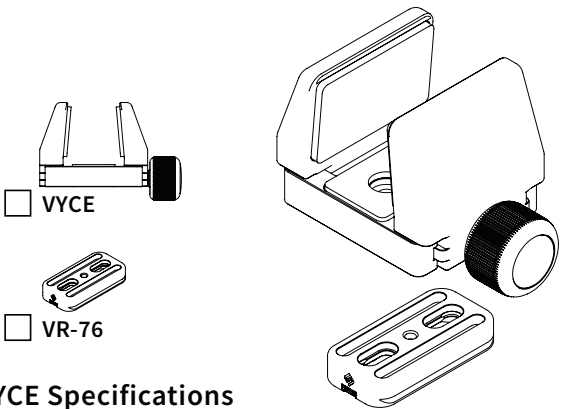




1146 Farmhouse Lane, San Luis Obispo, CA 93401 USA
 1-805-528-6321 | 1-888-777-5557
 www.ReallyRightStuff.com

VYCE® SUPPORT MOUNT



VYCE

VR-76

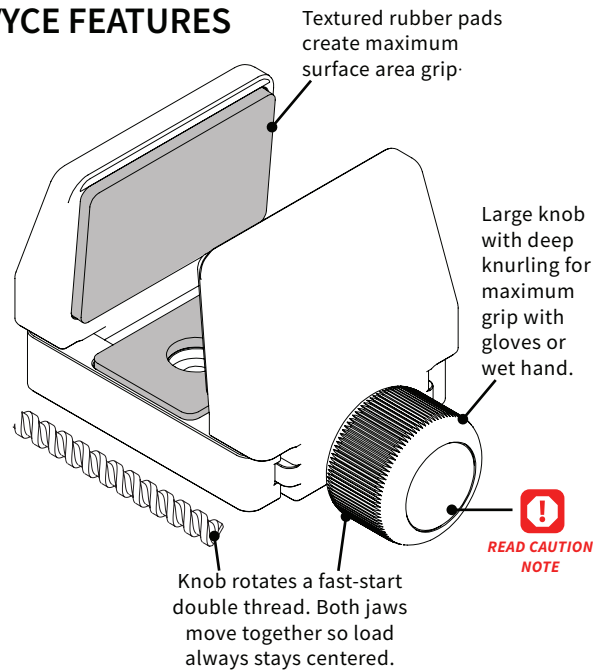
VYCE Specifications

Weight17.0 ounces / 482g
 Length / Width / Height 3.0" / 4.4" / 3.4"
 Material 6061-T6 & 7075 Type 3 hard anodized aluminum

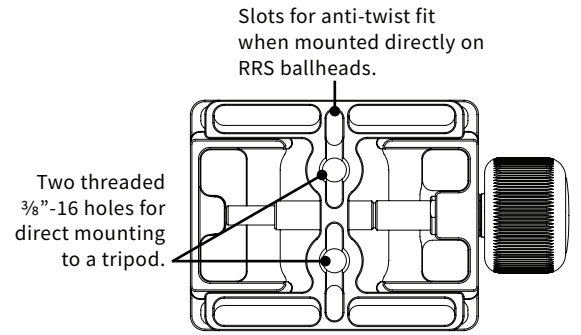
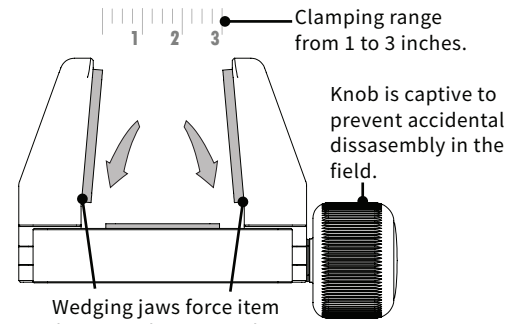


100% Made in the USA from parts sourced in the US.

VYCE FEATURES



VYCE for Direct Thread mounting comes with one 1/4-20" x 1" mounting screw and 5/32" hex key.



MAINTENANCE

General Care

Keep all parts free of dust and grit. Knob is captive; do not attempt to remove or disassemble.

Maintenance

Jaws: Keep the surfaces clean by periodically wiping the textured grips and clamp jaw with a clean, damp cloth.

Threads: Normal usage will push debris out of threads and guide rails. If threads feel gritty, open VYCE all the way, wash threads and guide rails with soapy water, rinse and repeat, re-grease threads and guide rails.

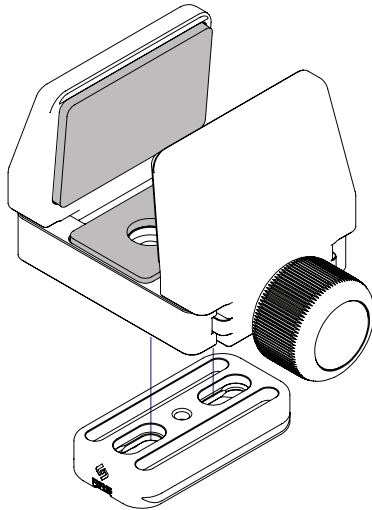
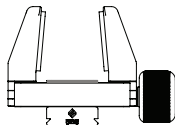
GUARANTEE

ALL REALLY RIGHT STUFF BRAND PRODUCTS ARE GUARANTEED TO THE ORIGINAL PURCHASER TO BE FREE OF DEFECTS IN MATERIALS OR WORKMANSHIP FOR FIVE (5) YEARS FROM THE DATE OF PURCHASE. PRODUCTS WILL BE REPAIRED OR REPLACED AT OUR OPTION.

®,™, © 1990-2017 Really Right Stuff, LLC. VYCE® is a registered trademark of Really Right Stuff. All rights reserved.

VYCE with VR-76 RAIL

Use VYCE with VR-76 rail for mounting in any RRS-style quick-release clamp. The VR-76 rail mounts to the VYCE with two $\frac{3}{8}$ "-16 screws.



VYCE for Quick-Release mounting comes with one VR-76 rail, two $\frac{3}{8}$ "-16 mounting screws, two metric 3-0.5 stop screws; $\frac{7}{32}$ " & M2.5 hex keys.

CAUTION

DO NOT OVERTIGHTEN THE KNOB. Quickly tighten the knob to close the jaws and secure your item in place. The VYCE action drives the powerful jaws with ease. Overtightening the knob can cause damage to the items placed in the VYCE.

