

Phono[®] Solar

Premium Plus Module

Mono/365-375W



More Power

Higher conversion efficiency, more power production per unit area



Lower System Cost

Higher conversion efficiency helps to save transportation-, installation- and BoS cost



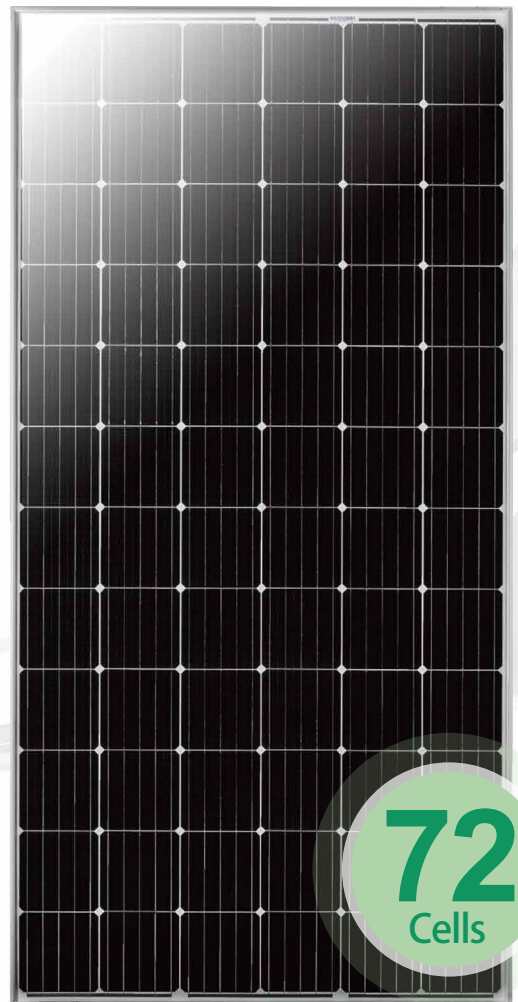
Better Low-light Performance

Enhanced spectral response at longer wave length boosts low-light performance, which can produce more than 3% additional power compared with conventional module at system side

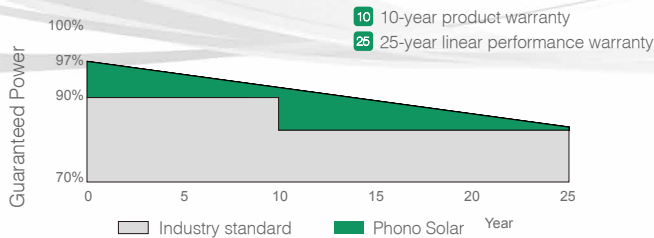
Bloomberg Tier1
NEW ENERGY FINANCE



TOP PERFORMER



72
Cells



EN EN-20190314

SINOMACH | SUMEC
SUMEC GROUP CORPORATION

ELECTRICAL TYPICAL VALUES

Model	PS365M-24/T PS365MH-24/T	PS370M-24/T PS370MH-24/T	PS375M-24/T PS375MH-24/T
Type	Monocrystalline 6 inch x 6 inch square, 6 x 12 pieces in series		
Rated Power (Pmpp)	365W	370W	375W
Tolerance		0~+5w	
Rated Current (Impp)	9.26	9.30	9.33
Rated Voltage (Vmpp)	39.50	39.90	40.30
Short Circuit Current (Isc)	9.83	9.90	9.97
Open Circuit Voltage (Voc)	47.90	48.10	48.30
Module Efficiency (%)	18.81	19.07	19.33
NOCT (Nominal Operation Cell Temperature)		44±2°C	
Voltage Temperature Coefficient		-0.29%/°C	
Current Temperature Coefficient		+0.049%/°C	
Power Temperature Coefficient		-0.39%/°C	

MECHANICAL CHARACTERISTICS

	Length: 1956mm (77.01 inch)
Dimension (Lx W x H)	Width:992mm (39.06 inch) Height: 40mm (1.57 inch)
Weight	21.5kg (47.4 lbs)
Front Glass	High transmission tempered glass
Frame	Anodized aluminium alloy
Cable	4mm ² (IEC)
Junction Box	IP 67 rated

ABSOLUTE MAXIMUM RATING

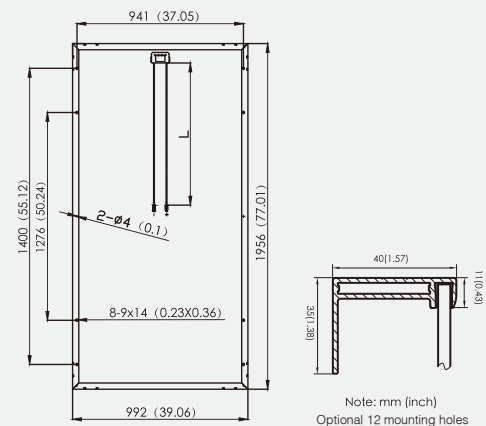
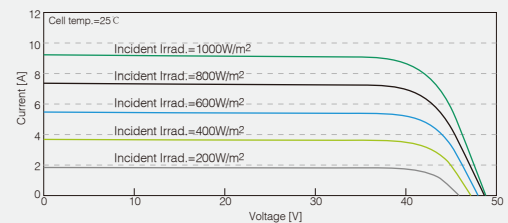
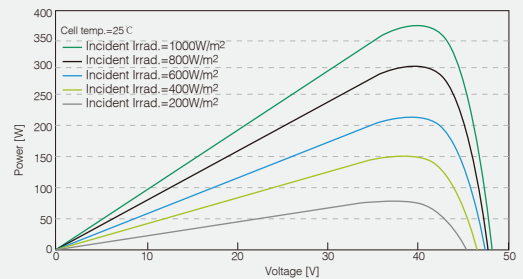
Parameter	Values
Operating Temperature	From -40 to +85°C
Hail Diameter @ 80km/h	Up to 25mm
Surface Maximum Load Capacity	Up to 5400Pa
Maximum Series Fuse Rating	15A
Application Class and Safety Class	II
Fire Rating (IEC61730)	C
Module Fire Performance (UL 1703)	Type 1
Maximum System Voltage	DC 1000V/1500V (IEC/ETL)

PACKING CONFIGURATION

Container	20' GP	40' HQ
Pieces/Container	230	672

1. In compliance with our warranty terms and conditions.
2. Measurement conditions under irradiance level of Standard Test Conditions(STC): 1000W/m
Air mass 1.5 Spectrum, cell temperature of 25°C.

ELECTRICAL CHARACTERISTICS



Phono[®] Solar

Note: This datasheet is not legally binding. Phono Solar Technology Co., Ltd. reserves the right to adjust specifications without notice. Further information please refer to our [Website:www.phonosolar.com](http://www.phonosolar.com), [E-mail:info@phonosolar.com](mailto:info@phonosolar.com)