



# Rhythmic Metallophone

## *In-Ground*

### #7011

## Assembly and Installation Instructions

***Please open and inspect all items upon receipt. If you have any questions or concerns, please contact us immediately.***

Box #	Size	Weight	Contents
Box 1	30x30x5	20 lbs.	Keys
Box 2	72x4x4	28 lbs.	Post



### Quality Commitment

Thank you for your shared commitment to connecting children with nature and your support of children's life-long learning. Nature Explore is dedicated to providing quality, research-based educational materials for your outdoor spaces, as well as outdoor classroom design services and educator workshops.

Our natural products are field-tested by trained educators who observe children using them in play—focusing on safety, educational-value and versatility—prior to being offered in the Resource Guide. Our natural products, such as wooden instruments, tables or balance beams, are hand-crafted by trusted professionals who support our shared mission. All natural products are constructed of materials carefully selected for functionality, safety and durability.

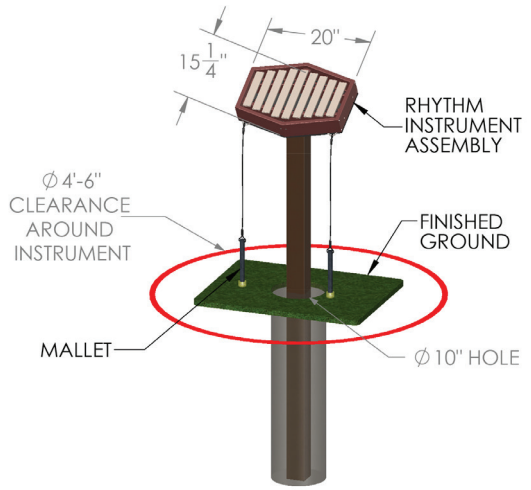
We encourage you to contact us with questions or for more information on our natural products and services. If inquiring about a past or existing order, please have your order number handy (Ex: SO90001234) so we may answer your questions and provide additional information as needed. **All of our warranty, return and exchange policies can be found online or sent by request. Please contact us at [service@natureexplore.org](mailto:service@natureexplore.org) or 1-888-908-8733.**

*All items created by and manufactured exclusively for Nature Explore are done so in accordance with all relevant and applicable safety standards and recommendations as set forth by the U.S. Consumer Product Safety Commission and ASTM International. Be sure to consider additional regulations that may be unique to your site.*

# How to Assemble and Install a Rhythmic Metallophone



**Recommended Crew: 2-3 People**  
**Space Required/Use Zone: 4' 6" circle**

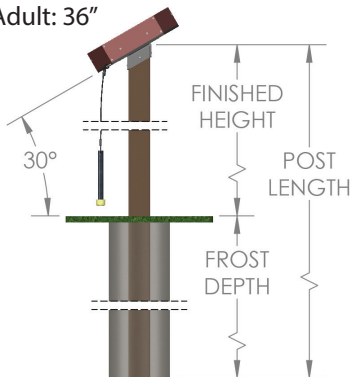


## Parts List:

- 1 - Rhythmic Metallophone Assembly
- 2 - Mallets (attached)
- 1 - Post
- 5 - 1 1/4" Screws
- 1 - Security Driver (for screws)
- 4 - Dual Drive Screws
- 1 - Holster

## Finished Height Guideline:

- Ages 3-5: 22"
- Ages 5-7: 27"
- Ages 7-11: 32"
- Adult: 36"



**When using volunteer labor, make sure that the person assembling the rhythmic metallophone has the necessary skill level.**



**Do not allow children to play on or near equipment which is in need of repair or replacement, is incomplete or is otherwise considered unsafe as serious injury may occur.**



**Nature Explore recommends that permanent installation be performed by a licensed and bonded contractor.**

## Inspection:

Inspect instrument once per month or once a quarter:

- Play the instrument.
- Clean the instrument with soap and water if necessary.
- Remove trash or debris.
- Verify that the instrument is secured to the legs & ground.
- Inspect the mallets and cables attaching them.

- 1 Inspect instrument for damage during shipment.
- 2 Lay the Rhythm Assembly bar side down on the ground. Use the white packing foam to prevent damaging the instrument.
- 3 Next, determine installation location. Be sure to allow for the proper clearances.

## In-Ground Installation

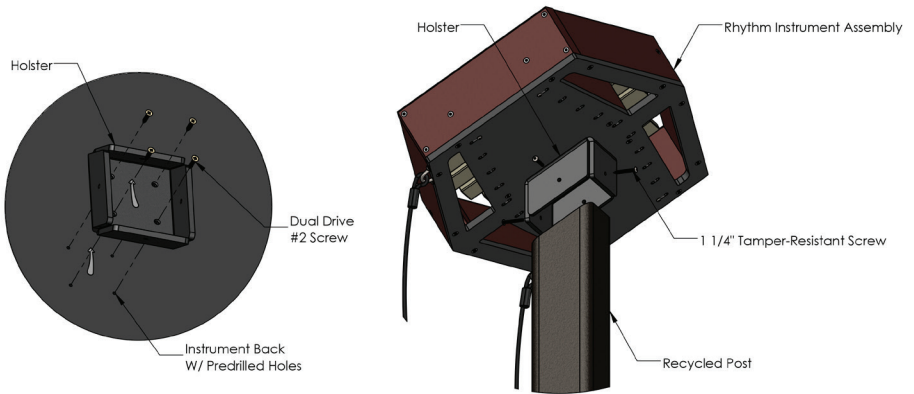
### Tools Needed:

1. Drill
2. Digging Implements (how you plan to excavate)
3. Concrete (however you plan to mix and pour)  
Approximately (2) 80 lb. bags will be needed. \* *Concrete must have a minimum rating of 2,500 PSI and must be mixed per manufacturer's recommendations.*
4. Level
5. Flagging (we recommend securing the instrument from the public for 24 hours to allow concrete to cure)
6. Tape measure
7. Marker

- 4 Once you select the location, excavate a 10" diameter hole, 36" deep. Contractor can modify post to desired height. Post length = desired frost depth (36" recommended) + finished height (refer to Finished Height Guideline).
- 5 Lower instrument Post into the hole. Align holster with instrument back with the corresponding arrows. Fasten holster to back with the provided dual drive screws. Backs are predrilled. Screw heads should be flush with the holster surface and holster must also be flush along the back. An extended square drive or Phillips will be needed.

 **Drive screws in slowly to prevent stripping.**

With two people, situate the instrument onto the post. Predrill 1/8" pilot holes into the posts through the existing holes on the instrument holster. Fasten the instrument to the post with the provided 1 1/4" screws and security driver.



**6** Verify the correct placement, levelness, plumbness, and finished height of the instrument. Also check for sufficient clearance around the instrument. A 36" radius is recommended around the instrument for wheelchair accessibility, however this is not required for instrument function.

**7** Last, pour concrete around the posts. It is recommended to brace the instrument to hold it rigid during the curing process. Allow the concrete to cure per manufacturer's instructions.

**Nature Explore Classroom** resources are designed to bring children closer to nature and help them develop life-long learning skills. To ensure safety and effectiveness, please be sure to follow the instructions for installation, building codes, warnings, and maintenance. Failure to follow all of the instructions will void any warranty offer. Furthermore, even Nature Explore Classroom resources installed and maintained in accordance with the instructions can present hazards to children in the absence of adequate supervision.

Depending on the location and nature of the outdoor classroom, the supervisors may be paid professionals (full-time park or school/child care facility staff), paid seasonal workers (college or high school students), volunteers (PTA members), or the parents of the children playing in the outdoor classroom. The quality of the supervision depends on the quality of the supervisor's knowledge of safe play behavior. Therefore, supervisors should understand the basics of safety in an outdoor classroom.

Outdoor classroom supervisors should be aware that not all equipment and items are appropriate for all children who may use the outdoor classroom. Posted signs or labels indicating the appropriate age of the users should be checked before play begins, and supervisors should direct children to equipment appropriate for their age. It is also very important to recognize that preschool-age children require more attentive supervision than older children do.

### **Building Codes:**

Variations in building codes, specific local development covenants, or site conditions may require modification to the installation of the product. Outdoor classroom owners are ultimately responsible for complying with all applicable permits, building codes and other regulatory requirements, and should review their outdoor classroom with local building inspectors. All appropriate building permits should be obtained prior to starting installation.

### **Liability:**

Nature Explore shall have no liability or responsibility for actions or inaction in connection with any Nature Explore item or any damage or liability that arises during the construction and/or use. Always read and observe all safety precautions provided by the Consumer Product Safety Council regarding toy safety, playground safety, and any other applicable programs. Likewise, always read and observe all safety precautions provided by any tool or equipment manufacturer consulted during installation.