

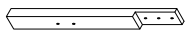
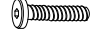
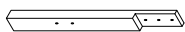





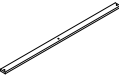
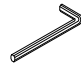

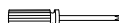


# ASSEMBLY INSTRUCTION

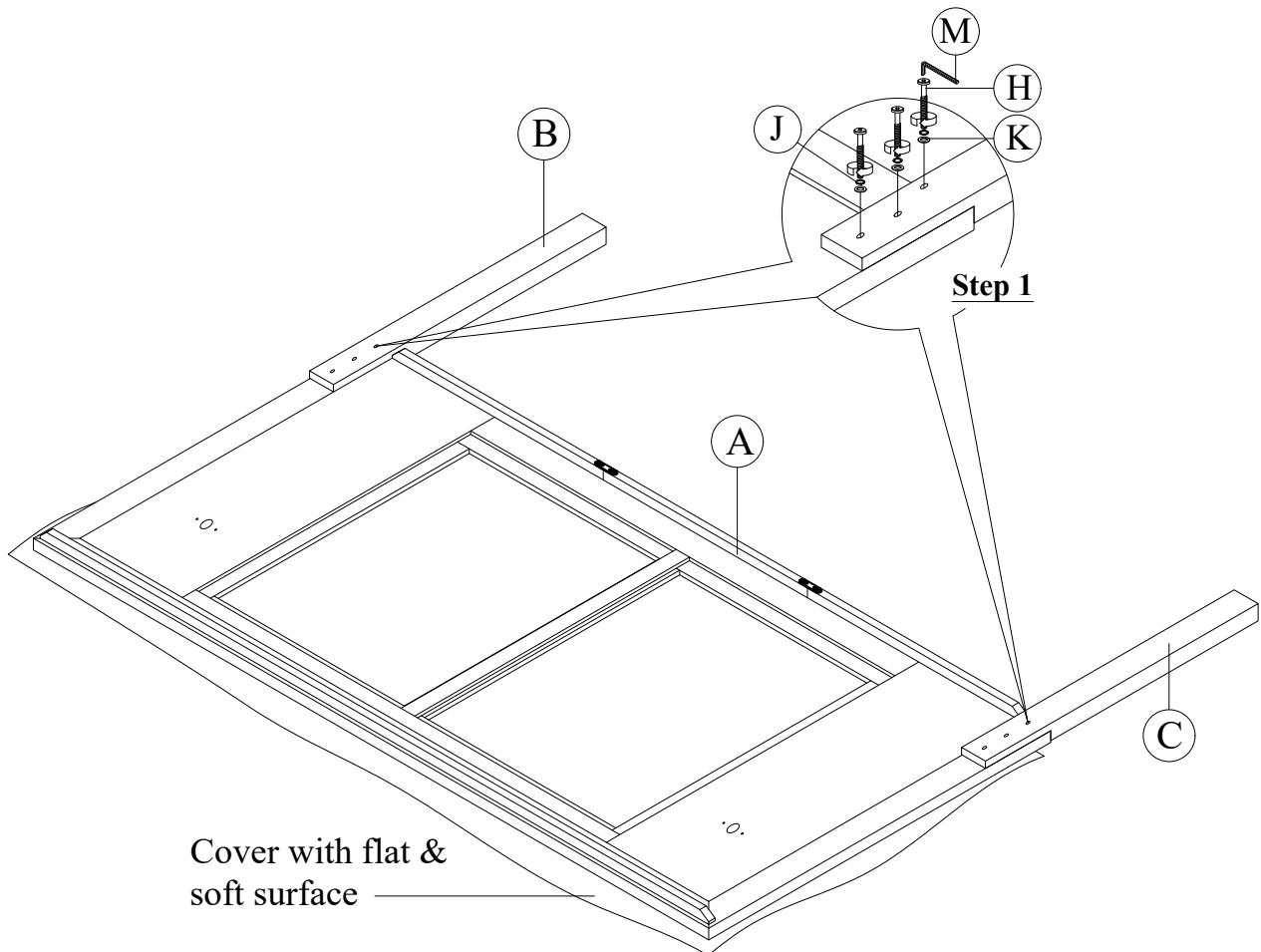
Model : BLAKE-BLACK/GOLD  
-KB-HB/FB/SLATS-QB/KB-SR

Description : BLAKE KING BED  
HEADBOARD/FOOTBOARD/SLATS  
QUEEN/KING BED RAILS BLACK/GOLD

Thank you for purchasing this quality product. Be sure to check all packing material carefully for small parts that may have come loose inside the carton during shipment.

PART LIST :				HARDWARE LIST :				
No.	Description	Diagram	Quantity	No.	Description	Diagram	Size	Quantity
A	HEADBOARD PANEL		1	H	JCBB SCREW		M8 x 40mm	6
B	LEFT HEADBOARD LEG		1	I	JCBB SCREW		M8 x 25mm	8
C	RIGHT HEADBOARD LEG		1	J	SPRING WASHER		M8 x 15mm	14
D	FOOTBOARD		1	K	FLAT WASHER		M8 x 22mm	14
E	SIDE RAIL		2	L	CB SCREW		M4 x 32mm	6
F	WOODEN SLAT		3	M	ALLEN KEY		M5	1
G	WOODEN SUPPORT		6	N	SCREW DRIVER (*)			1

(\*) The manufacturer does not provide item N.



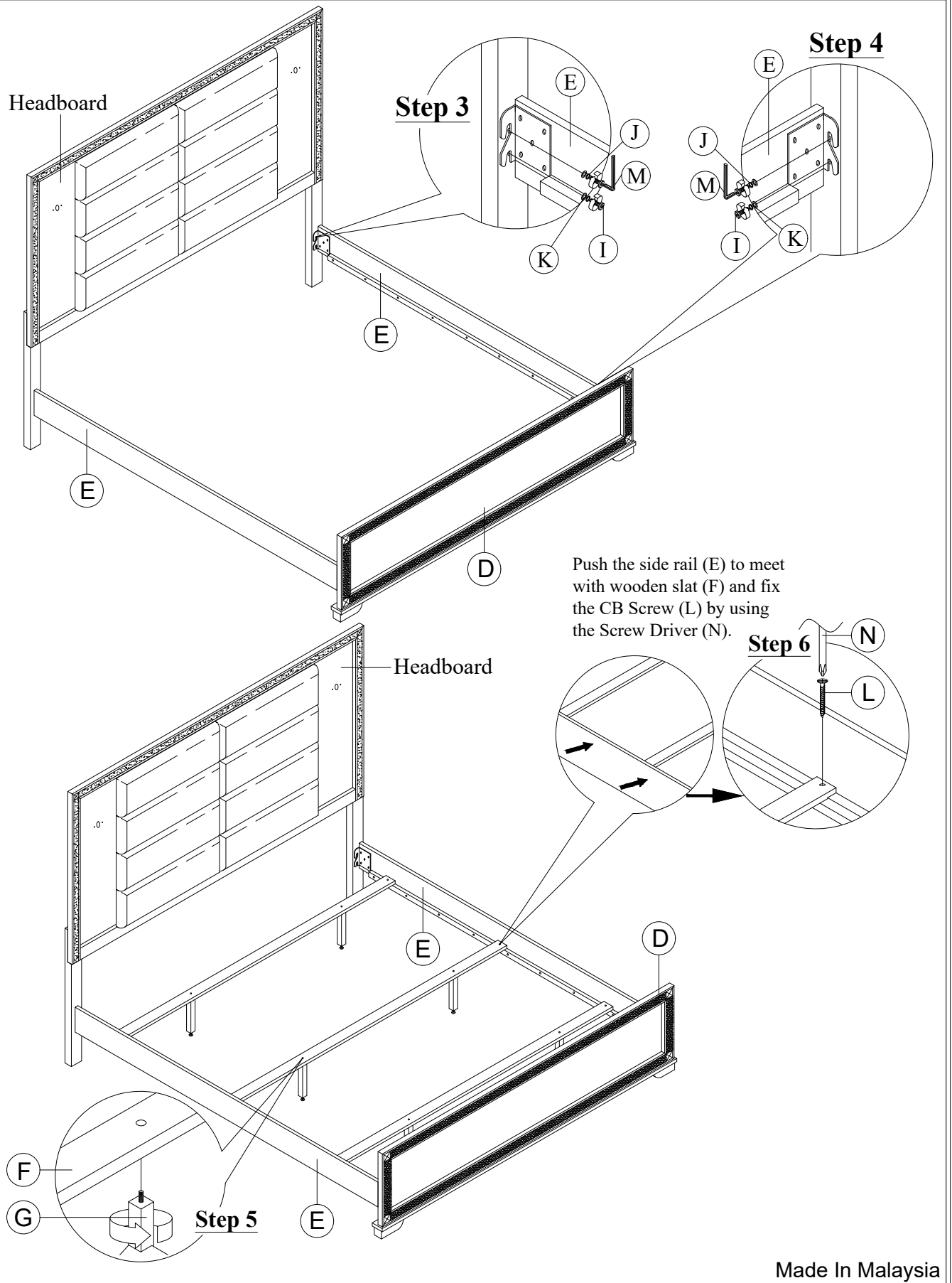
Made In Malaysia

# ASSEMBLY INSTRUCTION

Model : BLAKE-BLACK/GOLD  
-KB-HB/FB/SLATS-QB/KB-SR

Description : BLAKE KING BED  
HEADBOARD/FOOTBOARD/SLATS  
QUEEN/KING BED RAILS BLACK/GOLD

Thank you for purchasing this quality product. Be sure to check all packing material carefully for small parts that may have come loose inside the carton during shipment.



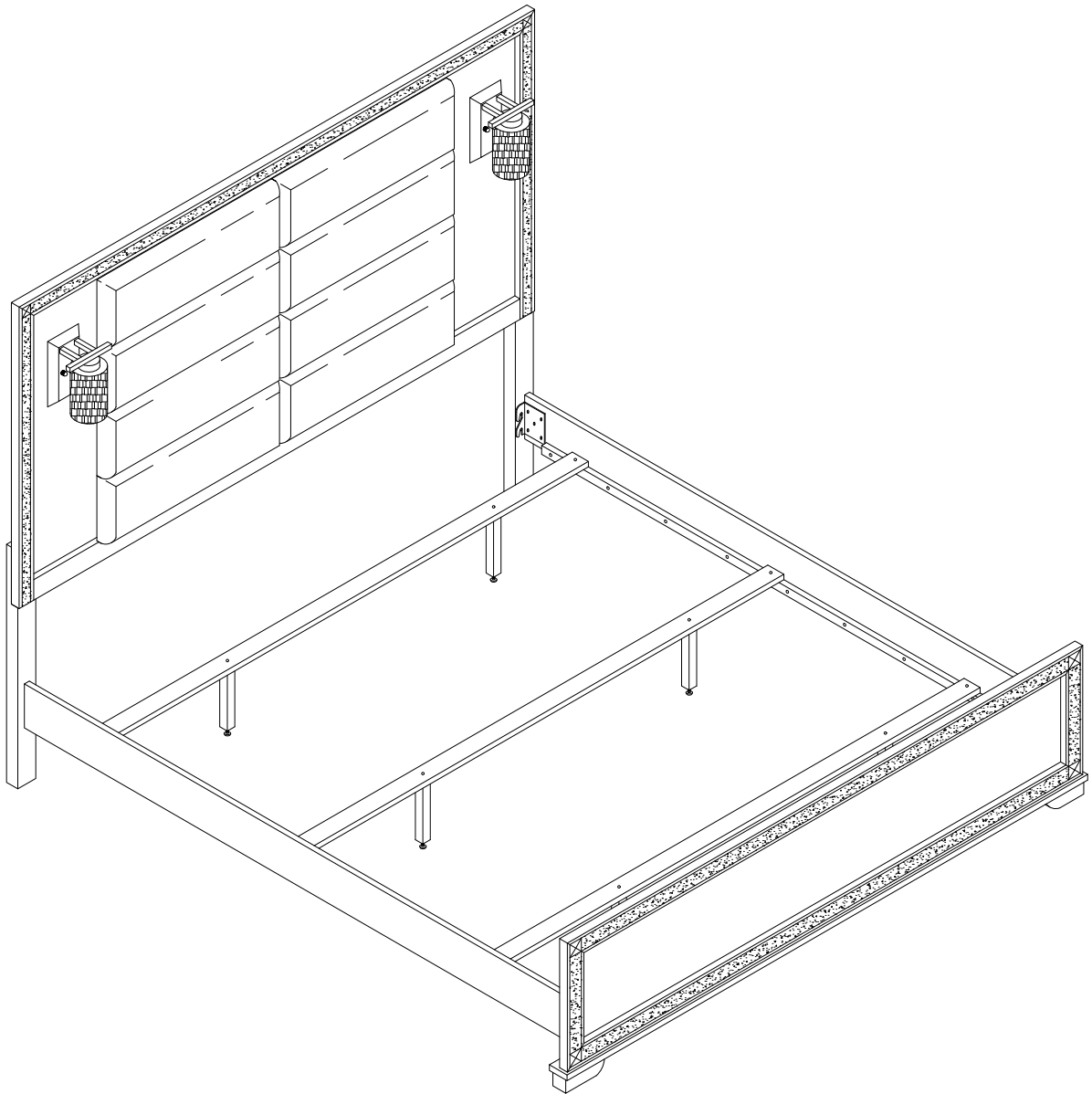
Made In Malaysia

# ASSEMBLY INSTRUCTION

Model : BLAKE-BLACK/GOLD  
-KB-HB/FB/SLATS-QB/KB-SR

Description : BLAKE KING BED  
HEADBOARD/FOOTBOARD/SLATS  
QUEEN/KING BED RAILS BLACK/GOLD

Thank you for purchasing this quality product. Be sure to check all packing material carefully for small parts that may have come loose inside the carton during shipment.



**COMPLETED  
KING BED WITH LAMP ASSEMBLY**

(\* ) Assembly Instruction for lamp and lamp, inside lamp box.

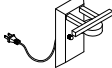




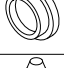

Made In Malaysia

# ASSEMBLY INSTRUCTION

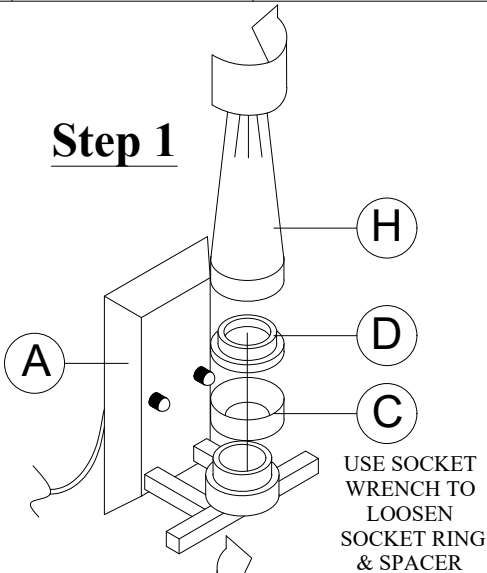
Model : BLAKE-LAMP

Description : BLAKE BED LAMP

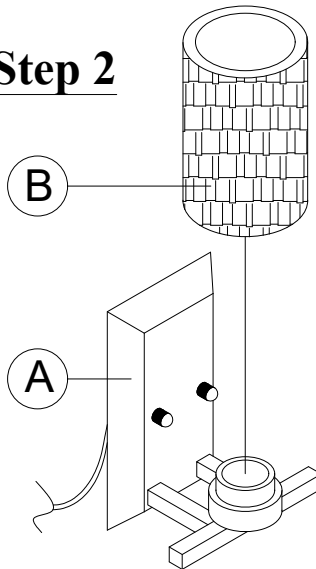
Thank you for purchasing this quality product. Be sure to check all packing material carefully for small parts that may have come loose inside the carton during shipment.

PART LIST :				HARDWARE LIST :				
No.	Description	Diagram	Quantity	No.	Description	Diagram	Size	Quantity
A	BACKPLATE		1	H	SOCKET WRENCH			1
B	ACRYLIC SHADE		1	I	WRENCH			1
C	SPACER		1					
D	SOCKET RING		1					
E	BULB		1					

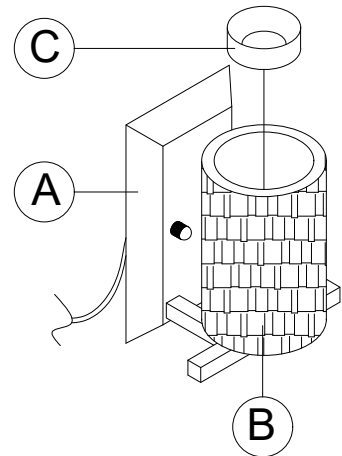
### Step 1



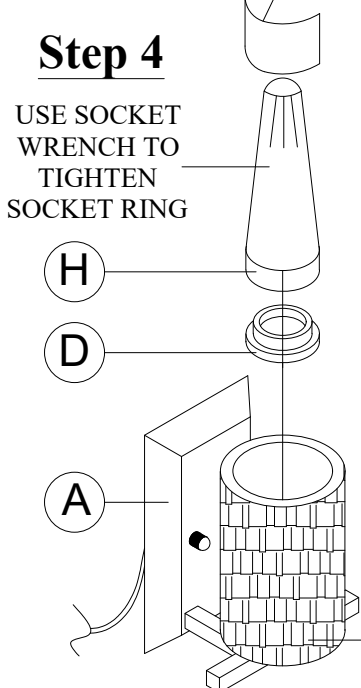
### Step 2



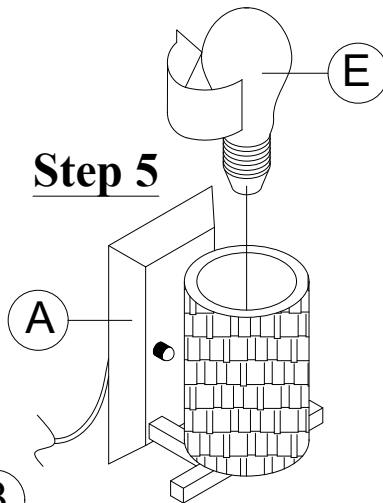
### Step 3



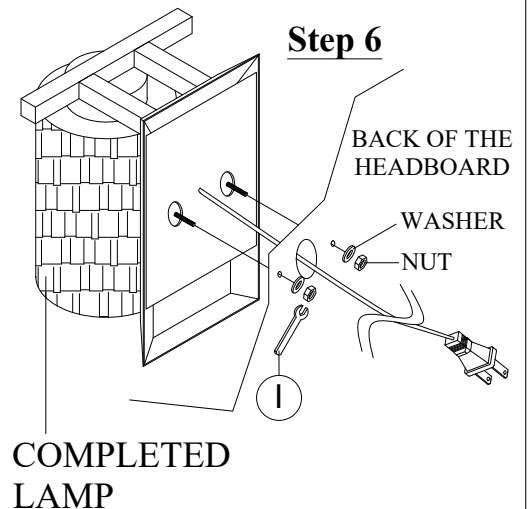
### Step 4



### Step 5



### Step 6



Made In China