

# ASSEMBLY INSTRUCTION


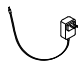
Model : CHARLIE-BLUE/BLACK/WHITE-CH

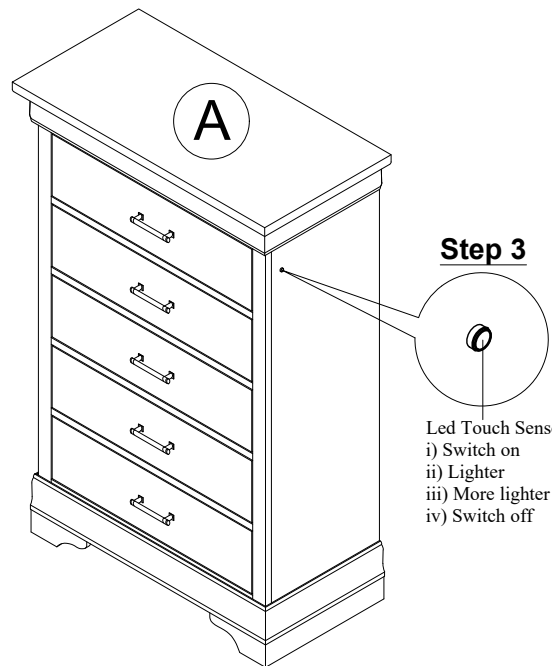
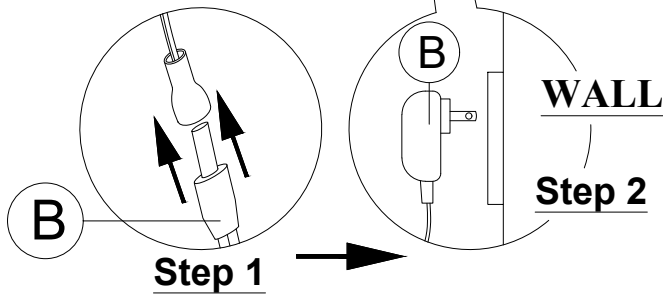
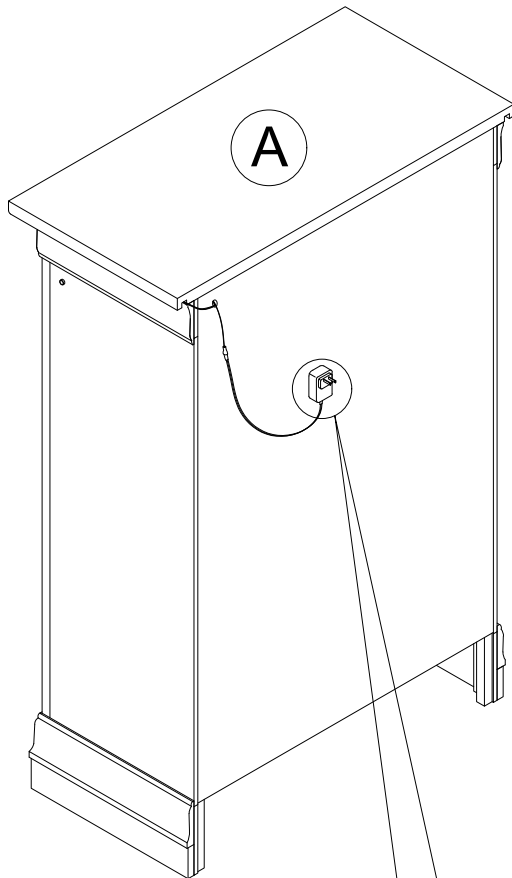
Description : CHEST WITH LED

Thank you for purchasing this quality product. Be sure to check all packing material carefully for small parts that may have come loose inside the carton during shipment.

## PART LIST :

## HARDWARE LIST :

No.	Description	Diagram	Quantity	No.	Description	Diagram	Size	Quantity
A	CHEST WITH LED		1	B	ADAPTOR			1



**COMPLETED CHEST  
WITH LED ASSEMBLY**

Made In Malaysia

CHARLIE CHEST WITH LED

# ASSEMBLY INSTRUCTION



Model : CHARLIE-BLUE/BLACK/WHITE-DR

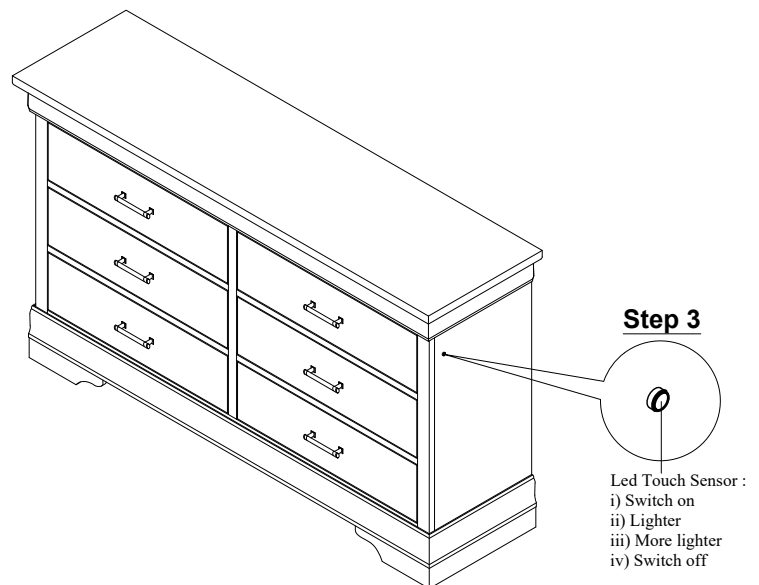
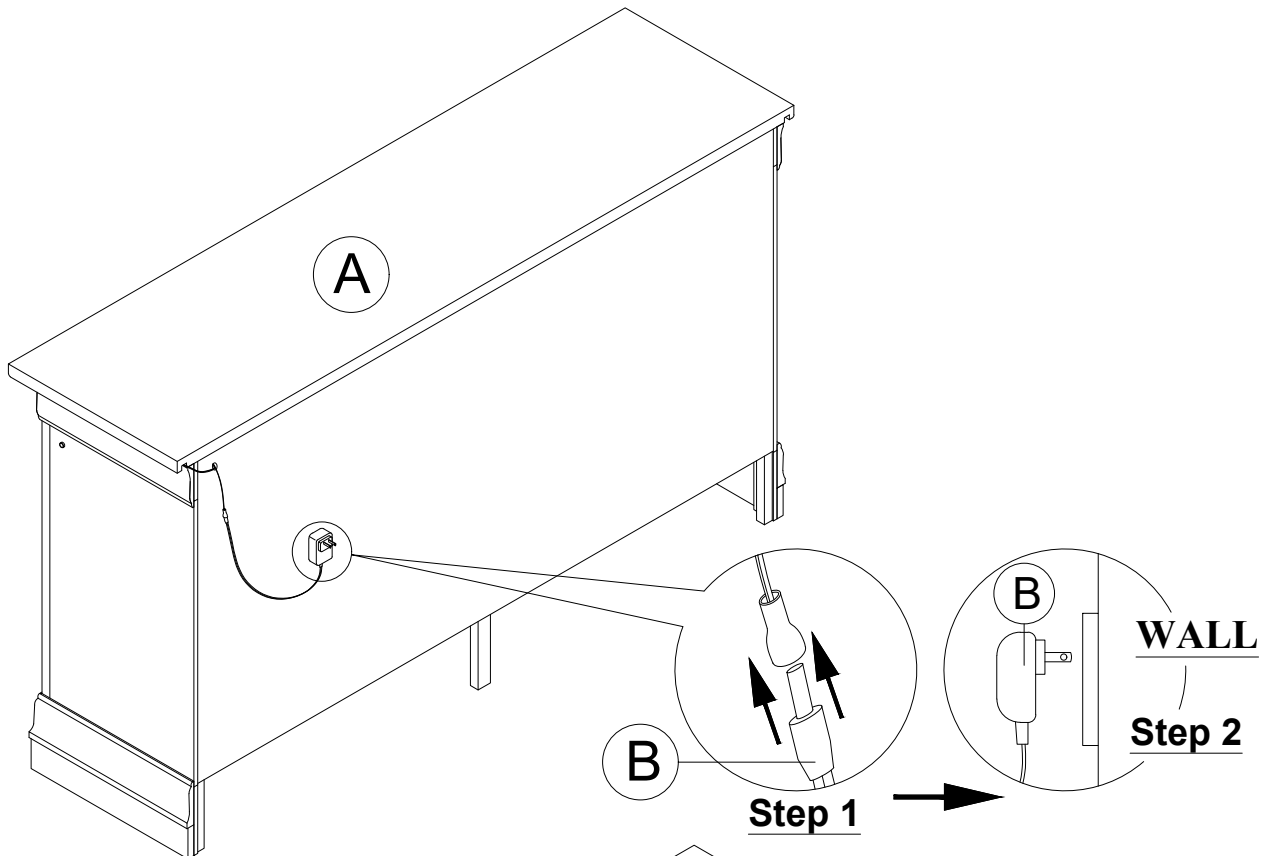
Description : DRESSER WITH LED

Thank you for purchasing this quality product. Be sure to check all packing material carefully for small parts that may have come loose inside the carton during shipment.

## PART LIST :

## HARDWARE LIST :

No.	Description	Diagram	Quantity	No.	Description	Diagram	Size	Quantity
A	DRESSER WITH LED		1	B	ADAPTOR			1



**COMPLETED DRESSER  
WITH LED ASSEMBLY**

Made In Malaysia

CHARLIE DRESSER WITH LED

# ASSEMBLY INSTRUCTION

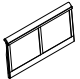





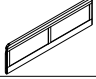



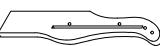

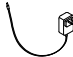
Model : CHARLIE-BLUE/BLACK/WHITE-KB-HB/FB

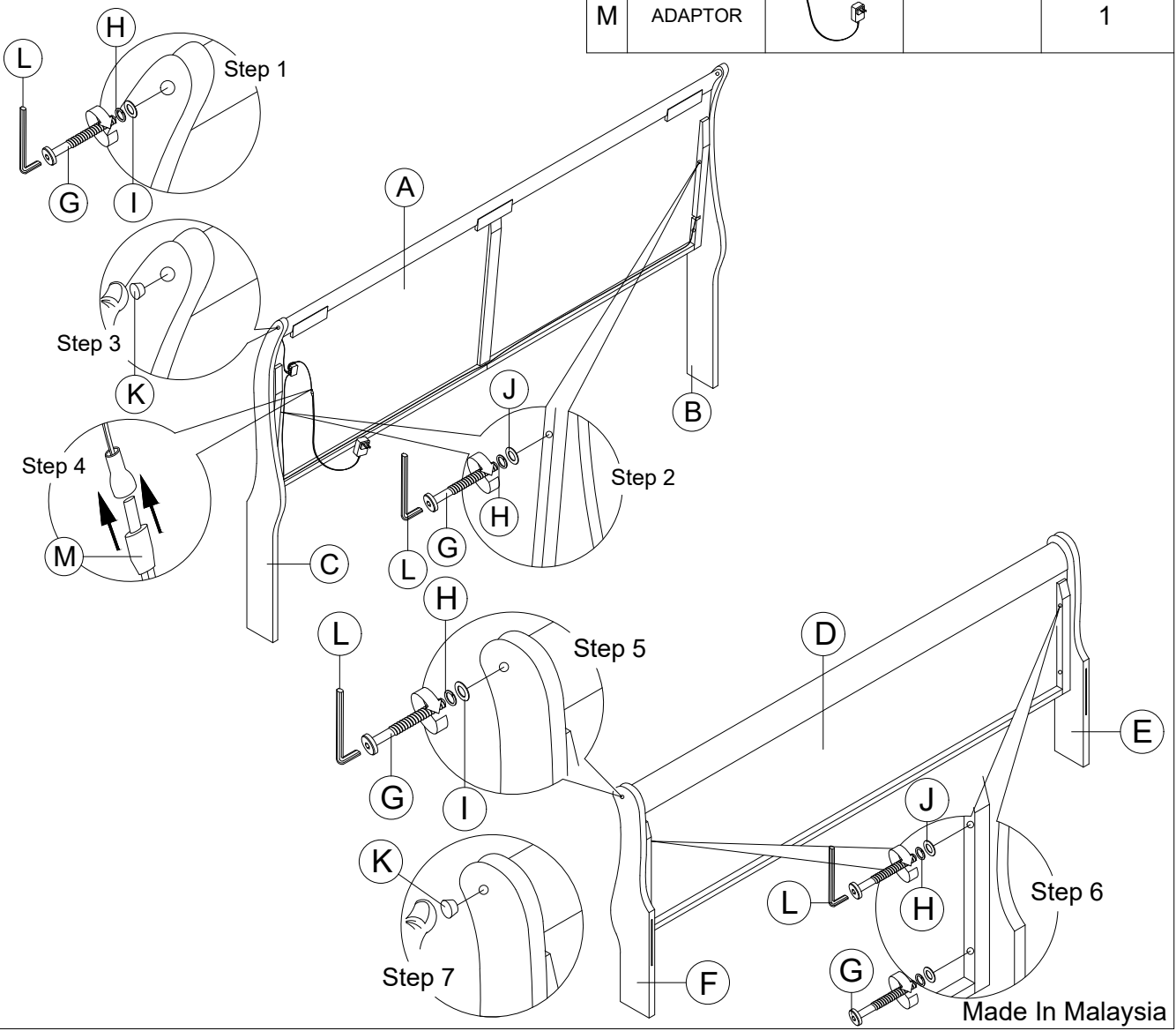
Description : KING BED HEADBOARD WITH LED  
& FOOTBOARD

Thank you for purchasing this quality product. Be sure to check all packing material carefully for small parts that may have come loose inside the carton during shipment.

**PART LIST :**

**HARDWARE LIST :**

No.	Description	Diagram	Quantity	No.	Description	Diagram	Size	Quantity
A	HEADBOARD PANEL		1	G	JCBC SCREW		M6 x 45mm	12
B	LEFT HEADBOARD LEG		1	H	SPRING WASHER		M6 x 13mm	12
C	RIGHT HEADBOARD LEG		1	I	FLAT WASHER		M6 x 13mm	4
D	FOOTBOARD PANEL		1	J	FLAT WASHER		M6 x 19mm	8
E	LEFT FOOTBOARD LEG		1	K	WOOD PLUG			4
F	RIGHT FOOTBOARD LEG		1	L	ALLEN KEY		M4	1
				M	ADAPTOR			1



# ASSEMBLY INSTRUCTION

Model : CHARLIE-BLUE/BLACK/WHITE-KB-HB/FB-KB-SR

Description : KING BED HEADBOARD WITH LED & FOOTBOARD-SIDE RAILS

Thank you for purchasing this quality product. Be sure to check all packing material carefully for small parts that may have come loose inside the carton during shipment.

## PART LIST :

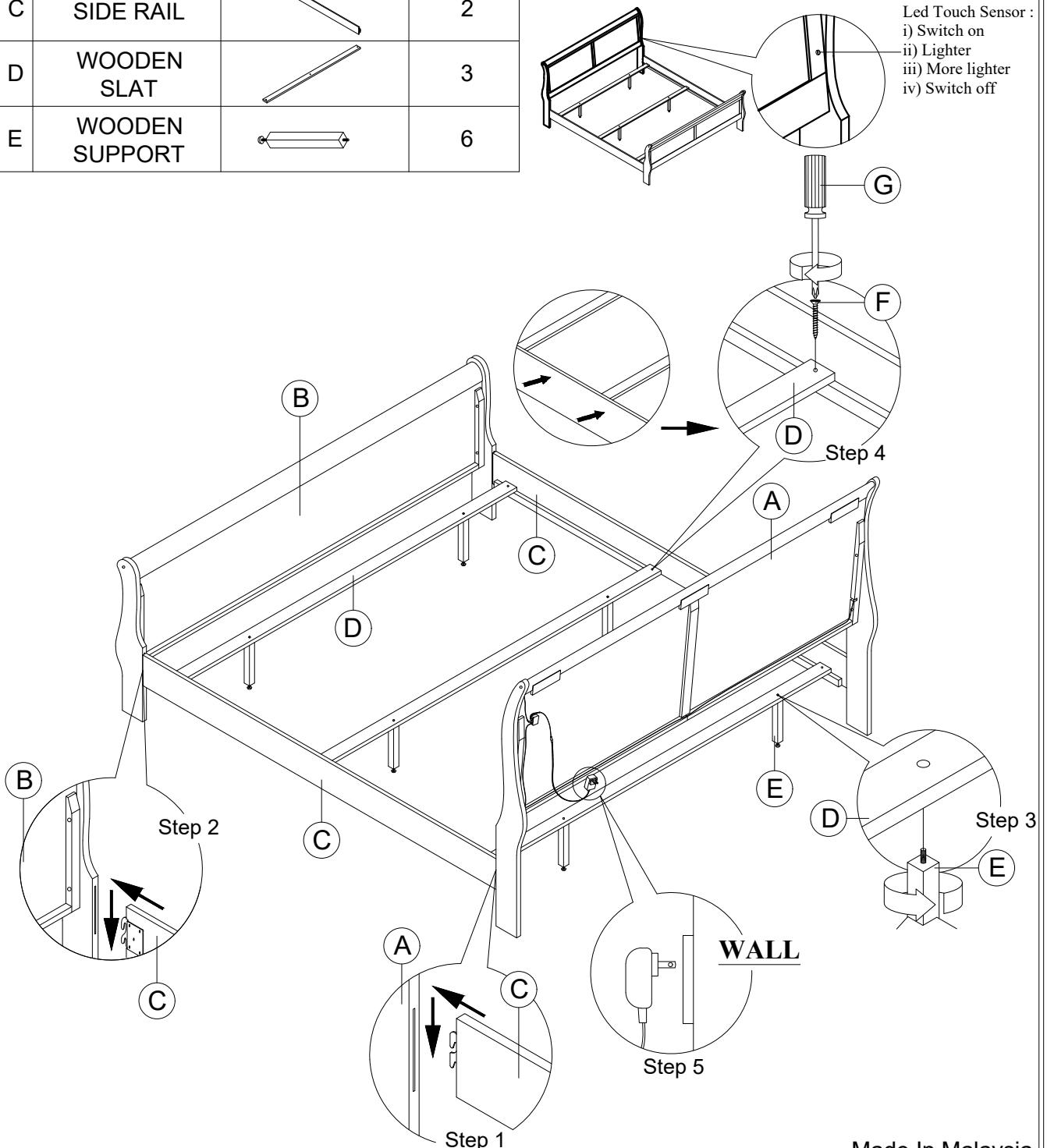
No.	Description	Diagram	Quantity
A	HEADBOARD WITH LED		1
B	FOOTBOARD		1
C	SIDE RAIL		2
D	WOODEN SLAT		3
E	WOODEN SUPPORT		6

## HARDWARE LIST :

No.	Description	Diagram	Size	Quantity
F	CB SCREW		M4 x 32mm	6
G	SCREW DRIVER (*)			1

(\*) The manufacturer does not provide item G.

Led Touch Sensor :  
 i) Switch on  
 ii) Lighter  
 iii) More lighter  
 iv) Switch off



Made In Malaysia

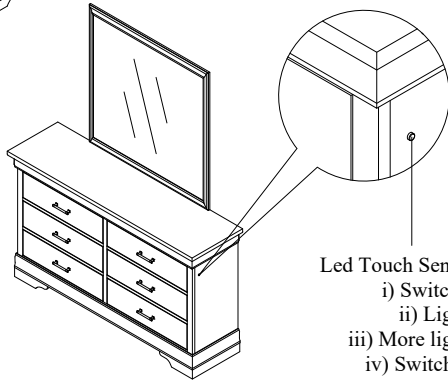
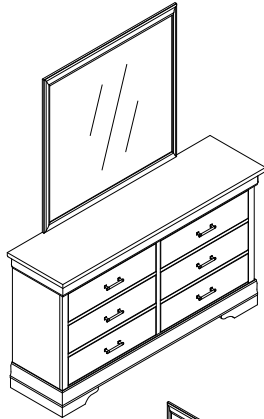
CHARLIE KING BED

# ASSEMBLY INSTRUCTION

Model : CHARLIE-BLUE/BLACK/WHITE-MR

Description : MIRROR

Thank you for purchasing this quality product. Be sure to check all packing material carefully for small parts that may have come loose inside the carton during shipment.



Led Touch Sensor :  
 i) Switch on  
 ii) Lighter  
 iii) More lighter  
 iv) Switch off

## COMPLETED DRESSER & MIRROR ASSEMBLY

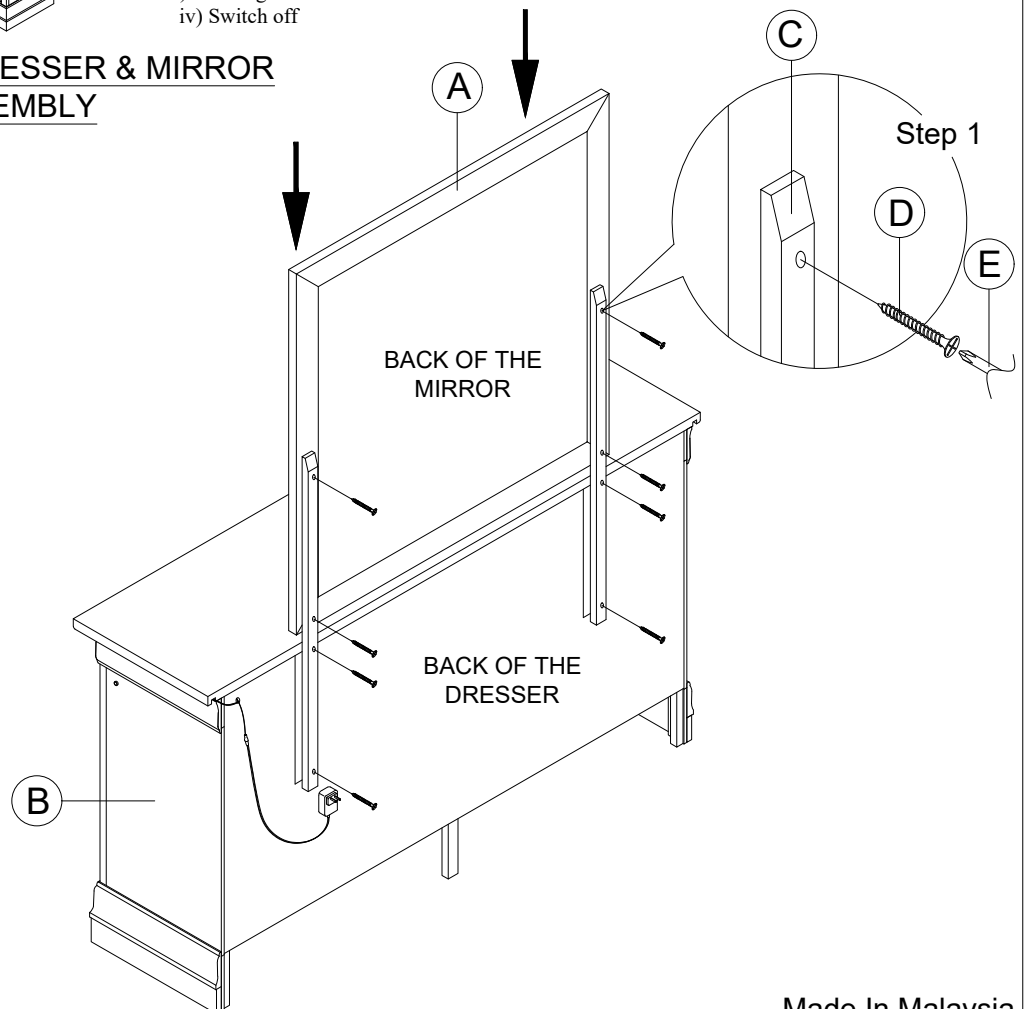
### PART LIST :

No.	Description	Diagram	Quantity
A	MIRROR		1
B	DRESSER WITH LED		1
C	MIRROR SUPPORT		2

### HARDWARE LIST :

No.	Description	Diagram	Size	Quantity
D	CB SCREW		M4 x 32mm	8
E	SCREW DRIVER (*)			1

(\*) The manufacturer does not provide item E.



Made In Malaysia

CHARLIE MIRROR

# ASSEMBLY INSTRUCTION


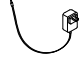
Model : CHARLIE-BLUE/BLACK/WHITE-NS

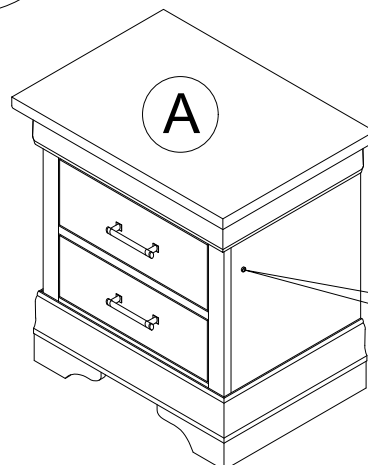
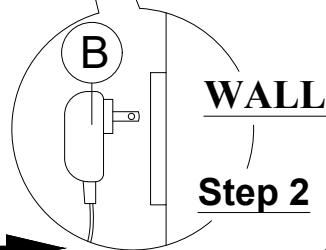
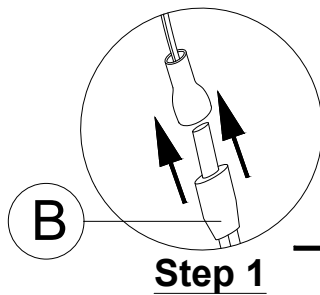
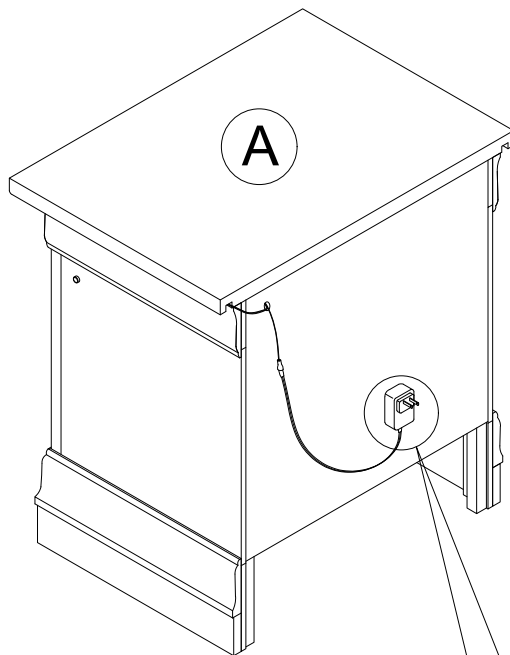
Description : NIGHTSTAND WITH LED

Thank you for purchasing this quality product. Be sure to check all packing material carefully for small parts that may have come loose inside the carton during shipment.

## PART LIST :

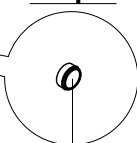
## HARDWARE LIST :

No.	Description	Diagram	Quantity	No.	Description	Diagram	Size	Quantity
A	NIGHTSTAND WITH LED		1	B	ADAPTOR			1



**COMPLETED NIGHTSTAND  
WITH LED ASSEMBLY**

## Step 3



Led Touch Sensor :  
i) Switch on  
ii) Lighter  
iii) More lighter  
iv) Switch off

Made In Malaysia

CHARLIE NIGHTSTAND WITH LED