

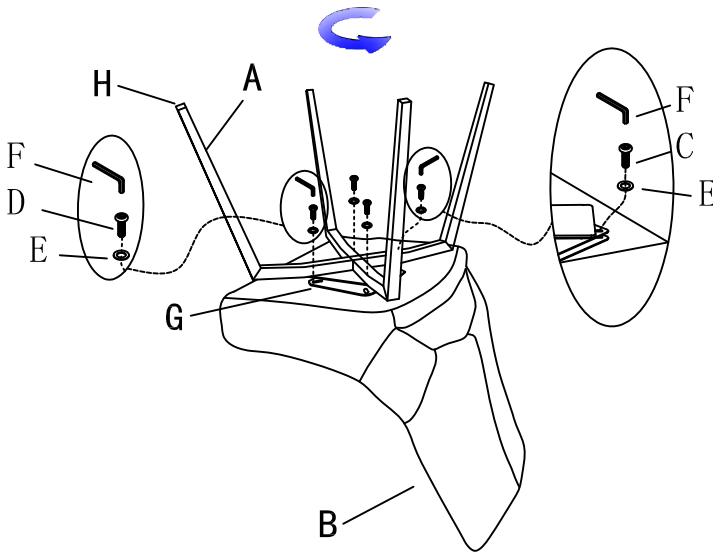
ASSEMBLY INSTRUCTION

Model : D4878DC

Description: DINING CHAIR

Thank you for purchasing this quality product. Be sure to check all packing material carefully for small parts that may have come loose inside the carton during shipment.

STEP 1



PART LIST:

NO.	Description	Diagram	Quantity
A	Legs		1
B	Backrest		1

HARDWARE LIST:

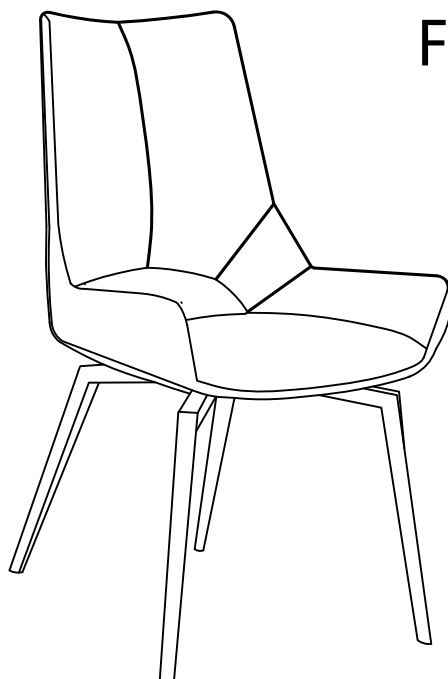
C	Bolt M6X16mm		2
D	Bolt M6X30mm		2
E	flat washer ϕ 16		4
F	Allen Key M4		1

PRE-FIX HARDWARE LIST:

G	Mechanism plate		1
H	Plastic feet		4

Assembly backrest(B) to the legs(A) with bolt(C) and bolt(D) by using flat washer(E) and allen key(F)

STEP 2



Finished

Made In China

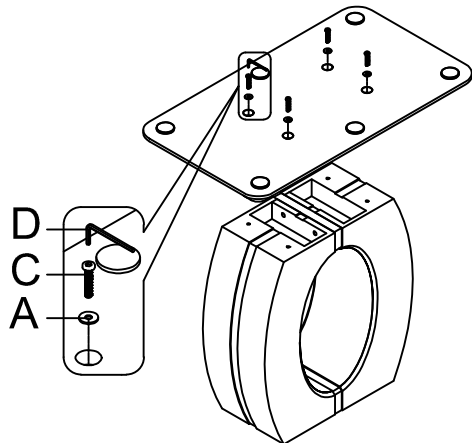
ASSEMBLY INSTRUCTION

Model:D894DT

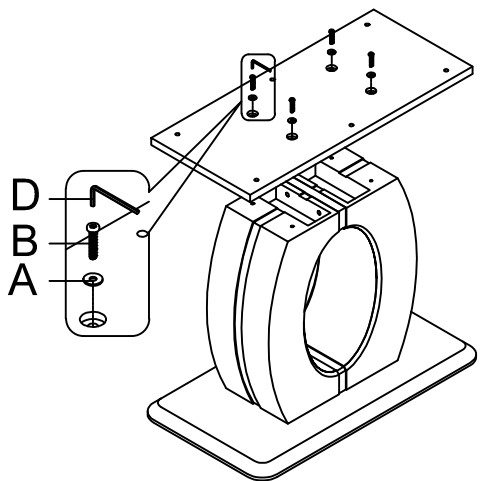
Description:[Dining Table]

Thank you for purchasing this quality product.Be sure to check all packing material carefully for small parts that may have come loose inside the carton during shipment

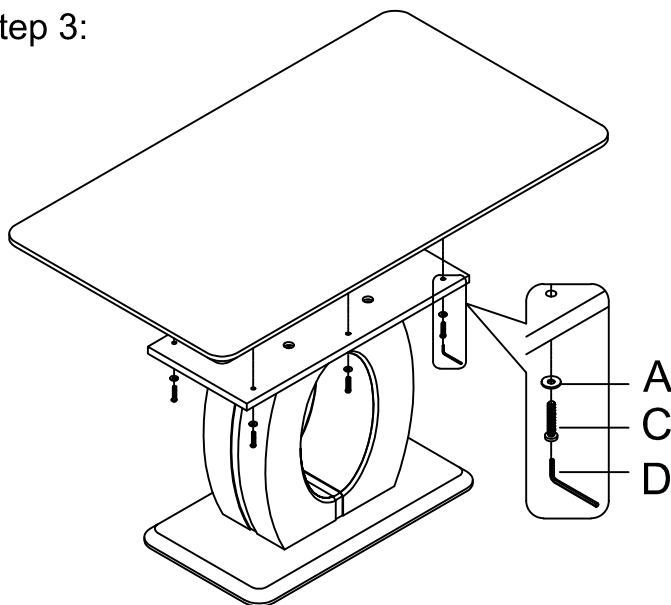
Step 1:



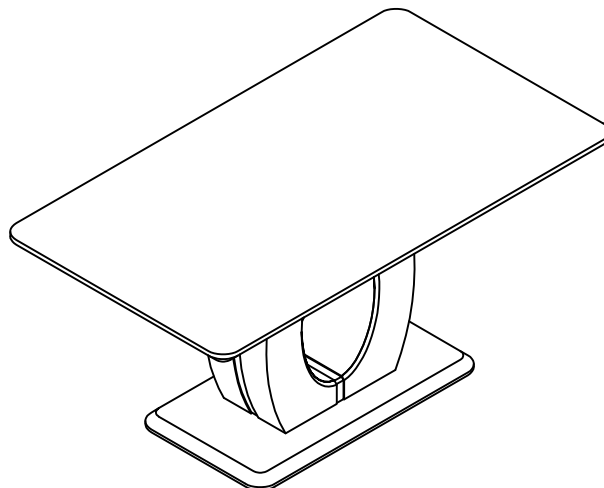
Step 2:



Step 3:



Finished



PART LIST:

No.	Description	Diagram	Quantity
E	MDF Top		1
F	Support		1
G	Table Leg		1
H	BASE		1

HARDWARE LIST:

No.	Description	Diagram	Size	Quantity
A	Flat washer		φ22*1.5mm	14
B	Bolt		M8*40mm	4
C	Bolt		M8*50mm	10
D	Allen key		M8	1

Note:

(1) Straight Allen Key(A) is for use with a power drill

Made In China