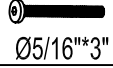
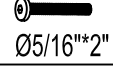



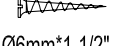


ASSEMBLY INSTRUCTION

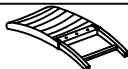




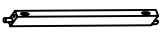
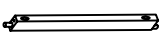
NOTE:

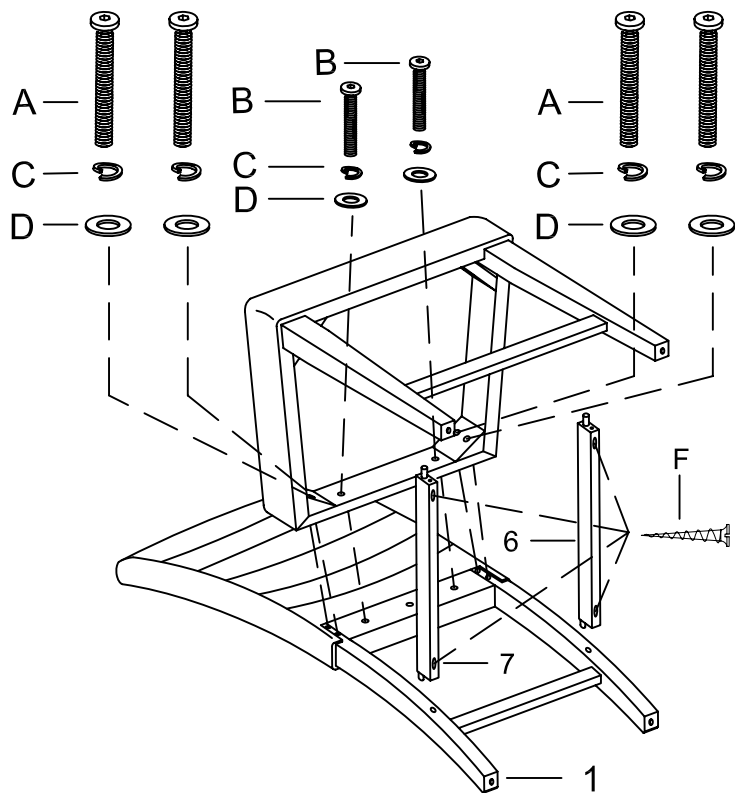
1. Estimated assembled time 15 minutes.
2. Do NOT tighten bolts until completely assembled.
3. When ready to tighten the bolts, ensure to tighten on a flat and level surface.

HARDWARE LIST:

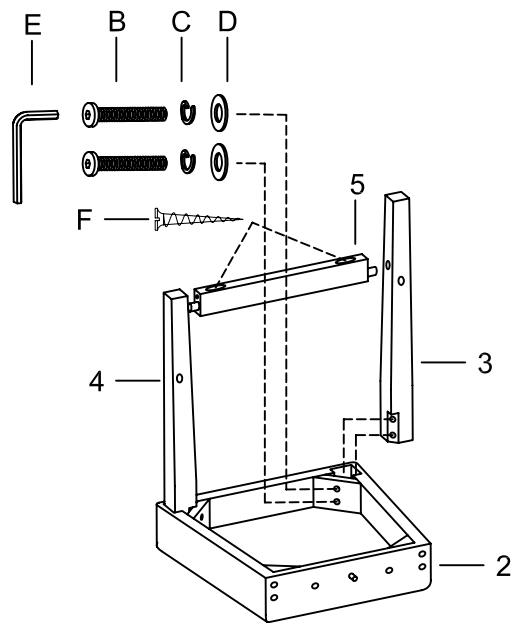
NO.	DESC.	DIAG	Q'TY
A	BOLT	 Ø5/16"×3"	4PCS
B	BOLT	 Ø5/16"×2"	6PCS
C	SPRING WASHER		10PCS
D	WASHER		10PCS
E	ALLEN KEY		1PC
F	SCREW	 Ø6mm×1-1/2"	6PCS

PARTS LIST:

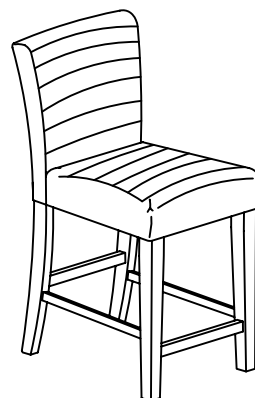
NO.	DESC.	DIAG	Q'TY
1	BACK		1PC
2	SEAT		1PC
3	RIGHT LEG		1PC
4	LEFT LEG		1PC
5	FRONT STRETCHER		1PC
6	RIGHT STRETCHER		1PC
7	LEFT STRETCHER		1PC



Step 2



Step 1



Step 3