



ASSEMBLY INSTRUCTION

MODEL NO: JORDYN - WHITE / GREY - NS





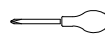
DESCRIPTION: NIGHT STAND

Thank you for purchasing this quality product. Be sure to check all packing material carefully for small parts that may have come loose inside the carton during shipment.

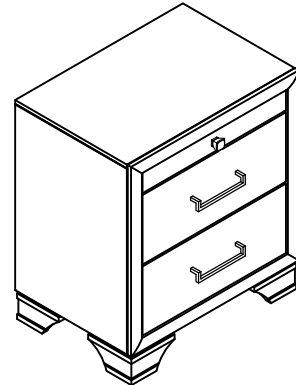
PART LIST :

ITEM	DRAWING	DESCRIPTION	QTY
A		NIGHT STAND	1
B		LEG	4

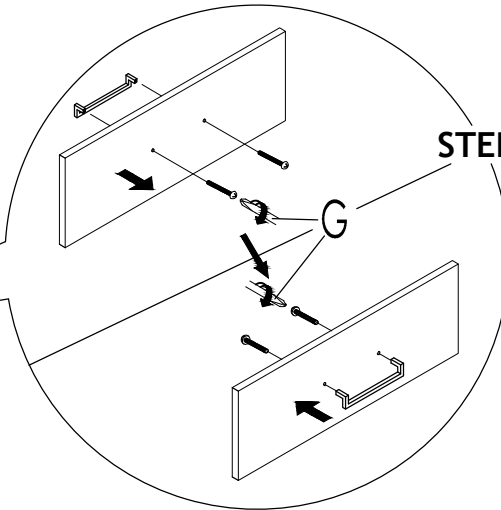
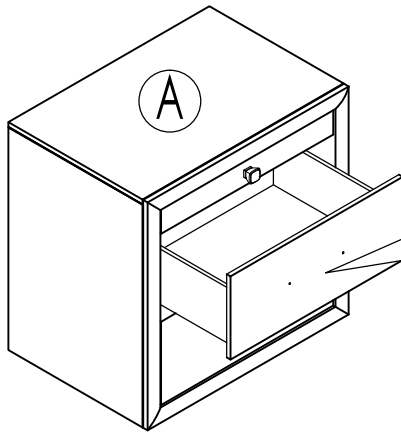
HARDWARE LIST :

ITEM	DRAWING	DESCRIPTION	QTY
C		JCBC SCREW (M6 x 35mm)	8
D		SPRING WASHER (M8)	8
E		FLAT WASHER (M8 x 18mm)	8
F		ALLEN KEY (M4 x 65mm)	1
G		SCREW DRIVER(*)	1

(*) The manufacturer does not provide ITEM G

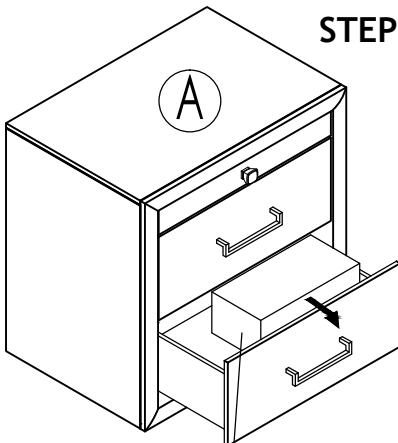


COMPLETED NIGHT STAND



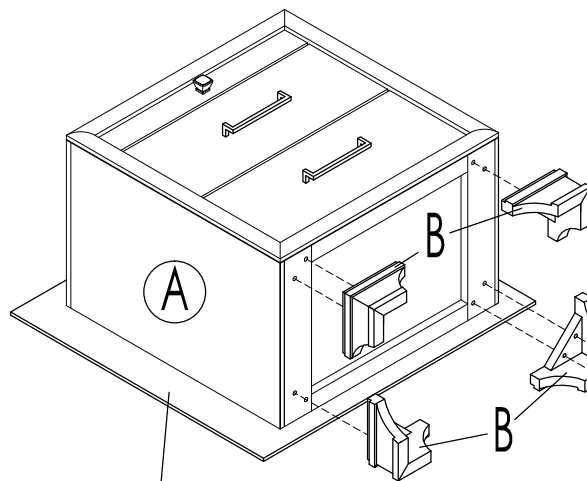
STEP 1

UNSCREWING THE HANDLE SCREW FROM OUTSIDE, TAKE OUT THE HANDLE FROM THE DRAWER AND INSTALL HANDLE AT DRAWER FRONT.



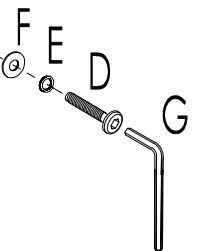
STEP 2

TAKE OUT THE LEG



COVER WITH FLAT & SOFT SURFACE

STEP 3



NOTE : MUST TIGHTEN SCREWS PERIODICALLY. WITH USE SCREW MAY BECOME LOOSE. CHECK TIGHTNESS OF ALL SCREWS EVERY 6-8 WEEKS.

CLEANING INSTRUCTION :

AFTER ASSEMBLE, CLEAN & POLISH THE COMPLETED PARTS IF NECESSARY WITH SOFT CLOTH AND INDUSTRIAL RECOGNIZED FURNITURE POLISH.

MADE IN MALAYSIA