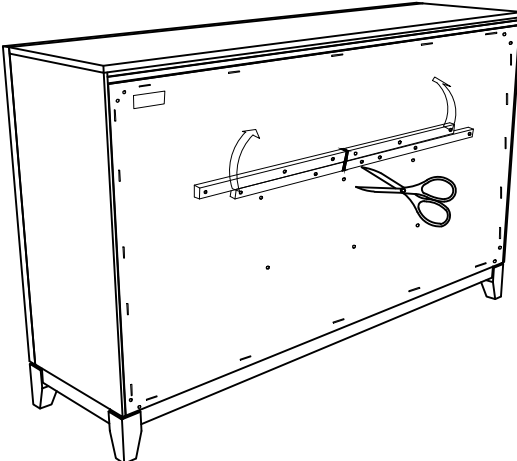
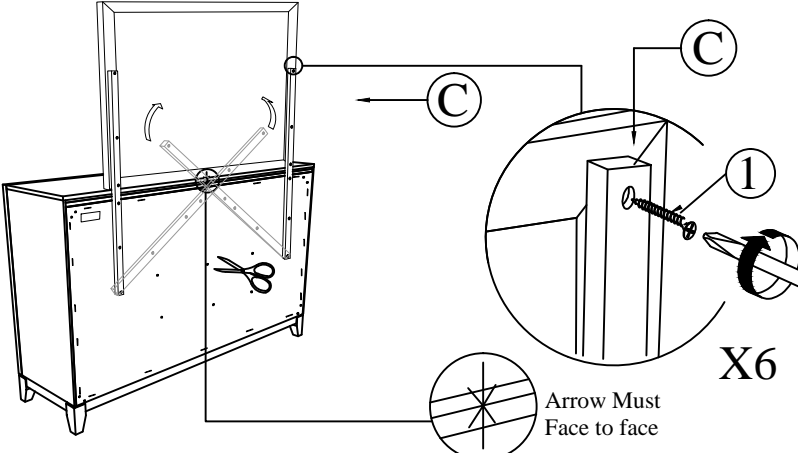
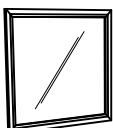
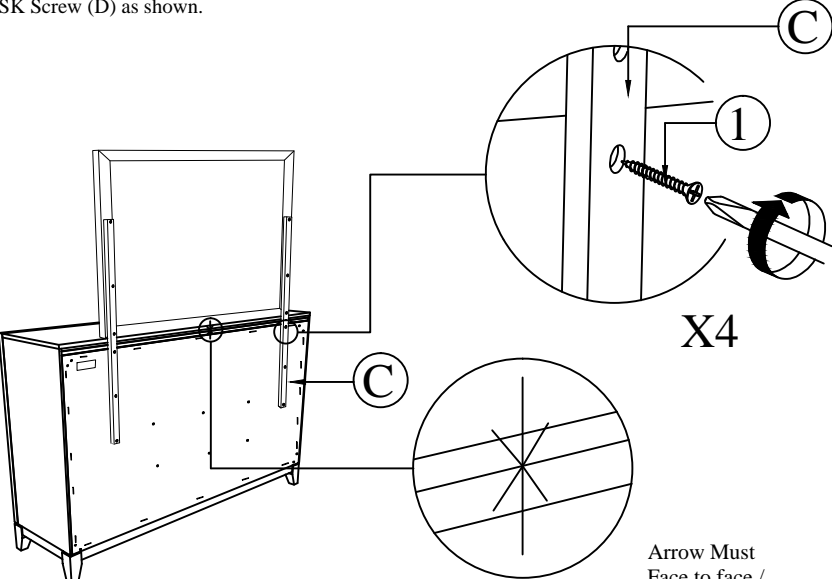


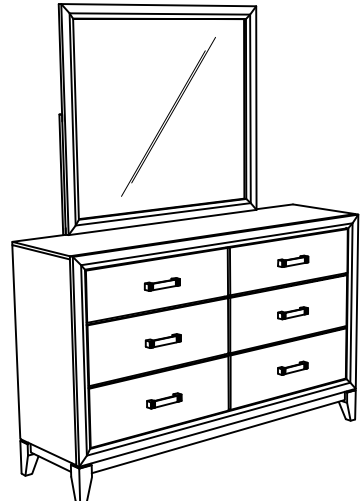



# ASSEMBLY INSTRUCTIONS

<b>MODEL: KATE DRESSER &amp; MIRROR</b>			<b>STEP 1 / ETAPE 1 :</b> Cut of the Raffia String from the back of DRESSER ( B ).	<b>STEP 2 / ETAPE 2 :</b> Turn the MIRROR SUPPORT RAIL ( C ) upward at the back of DRESSER ( B ), Place the MIRROR FRAME ( A ) on the top of DRESSER ( B ). Tighnten with CSK Screw ( D ).
<b>(Box 1)</b> BOX OF MIRROR				
NO	ITEM	QTY		
A	MIRROR 	1 PC		
<b>(Box 2)</b> BOX OF DRESSER			<b>STEP 3 / ETAPE 3 :</b> Tighnten the CSK Screw ( D ) as shown.	
NO	ITEM	QTY		
B	DRESSER 	1 PC		
C	MIRROR SUPPORT RAIL 	2 PCS	 <p style="text-align: center;"><b><u>COMPLETED</u></b> <b><u>ASSEMBLY</u></b></p>	
<b>(Box 1)</b> BOX OF MIRROR				
NO	ITEM	QTY		
1	CSK SCREW M4 X 32MM 	10 PCS		

NOTE : MUST TIGHTEN SCREWS PERIODCALLY WITH USE SCREW WILL BECOME LOOSE CHECK TIGHTNESS OF ALL SCREW EVERY 6-8 WEEKS.