

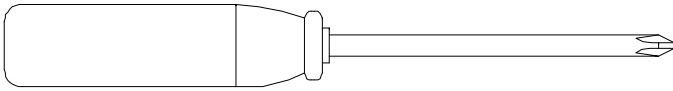
MICAH-GREY - DR ASSEMBLY INSTRUCTION

HARDWARE LIST

| | | | |
|---|-------------------|---|-------|
| 1 | TIPPING RESTRAINT |  | 1 SET |
|---|-------------------|---|-------|

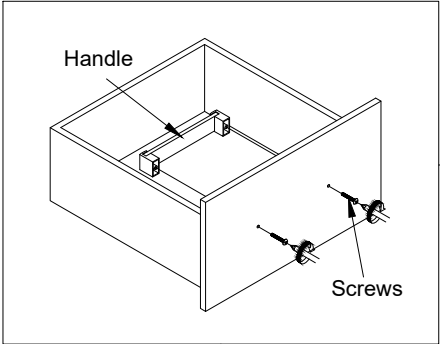
ASSEMBLY TOOLS REQUIRED

1. Screwdriver (not provide)

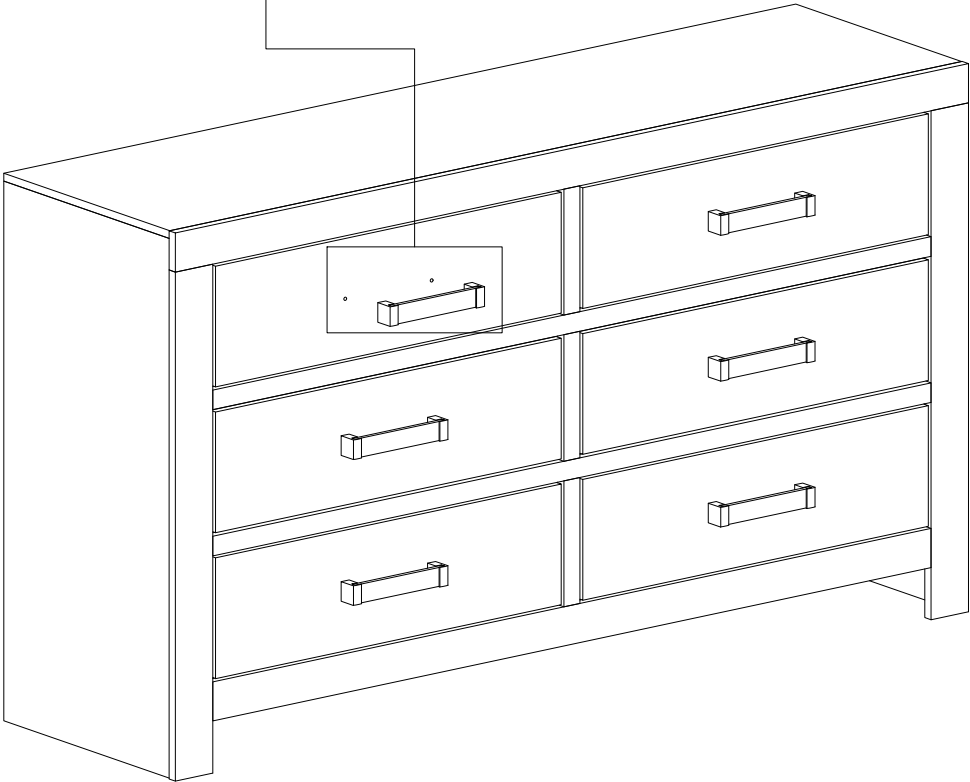
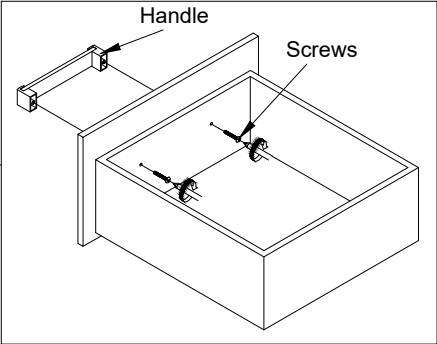


STEP 1

STEP 1.1

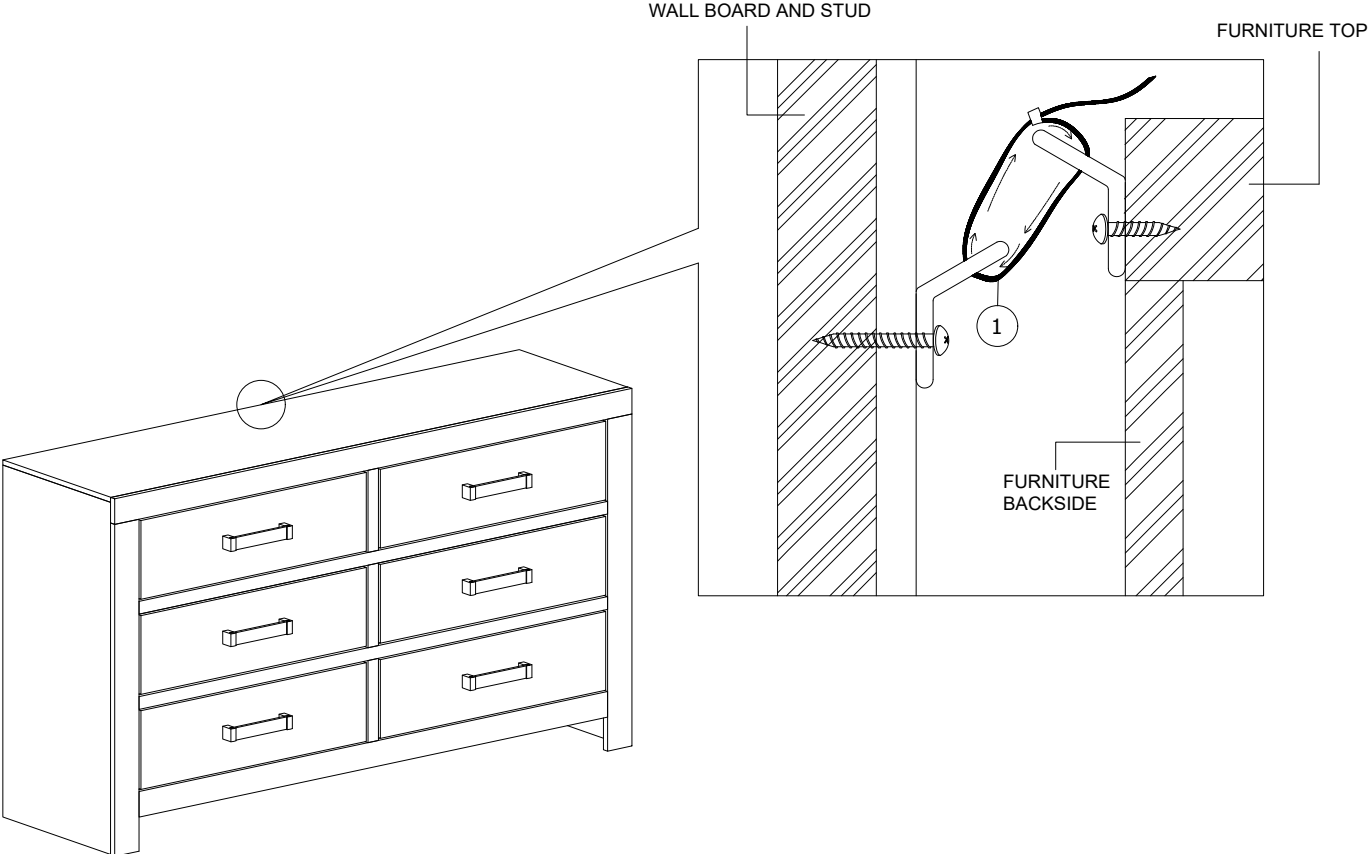


STEP 1.2

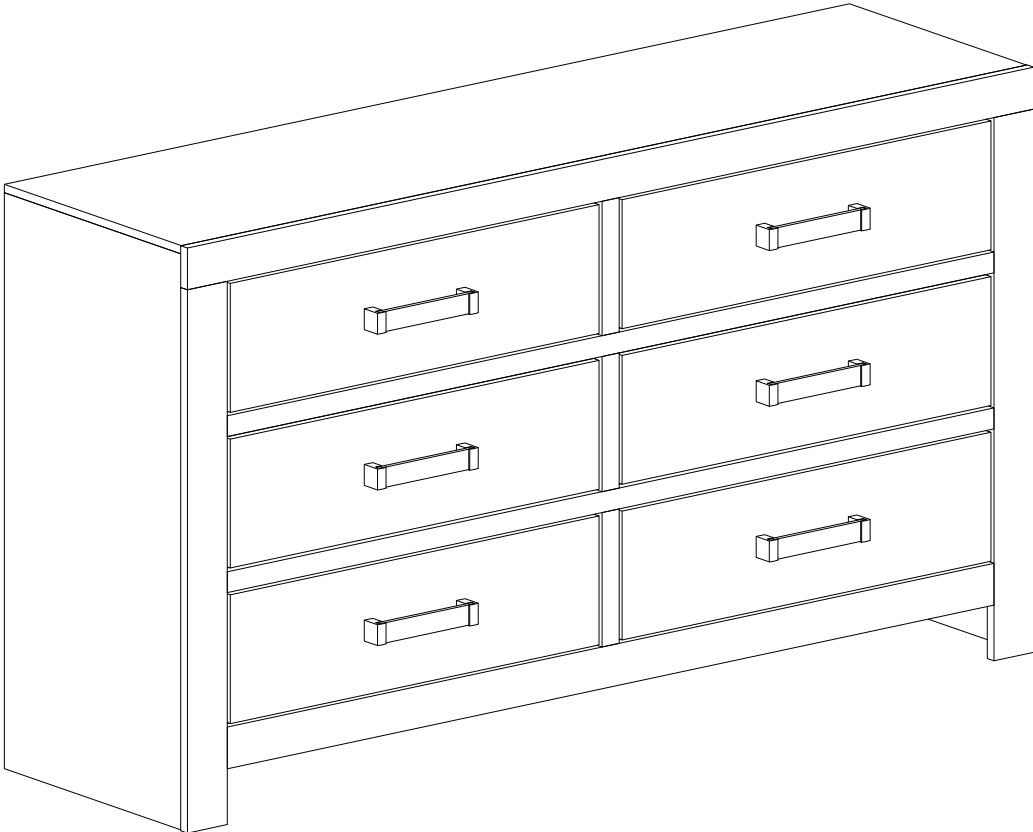


MICAH-GREY - DR ASSEMBLY INSTRUCTION

STEP 2



STEP 3



ASSEMBLY COMPLETED