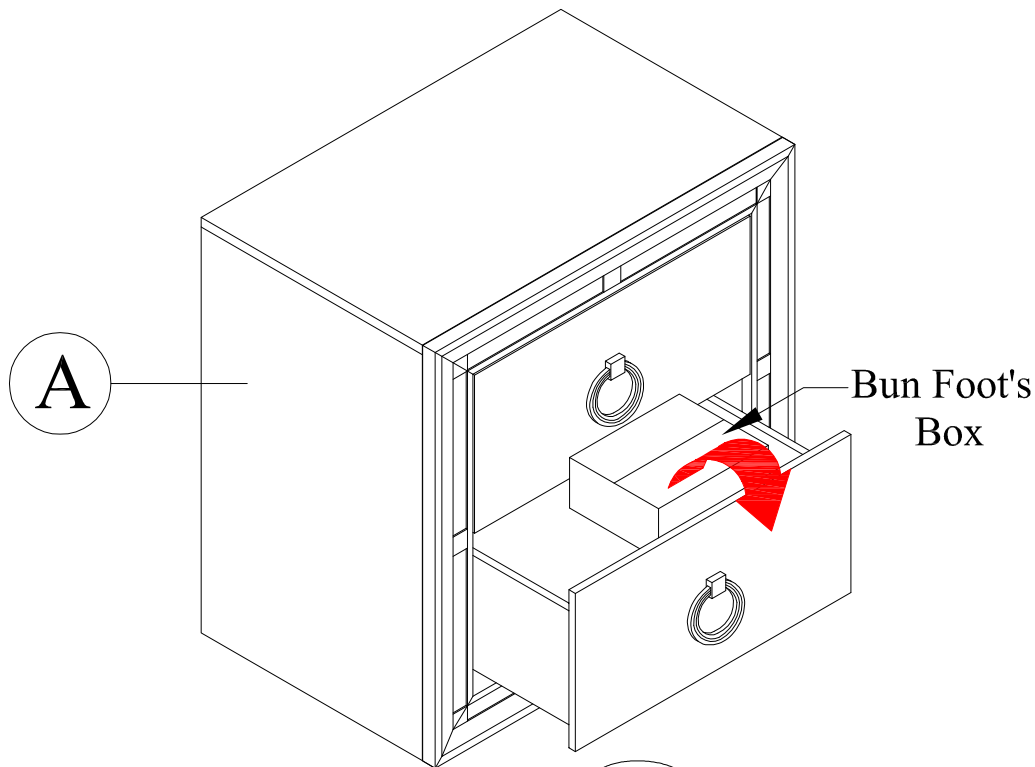


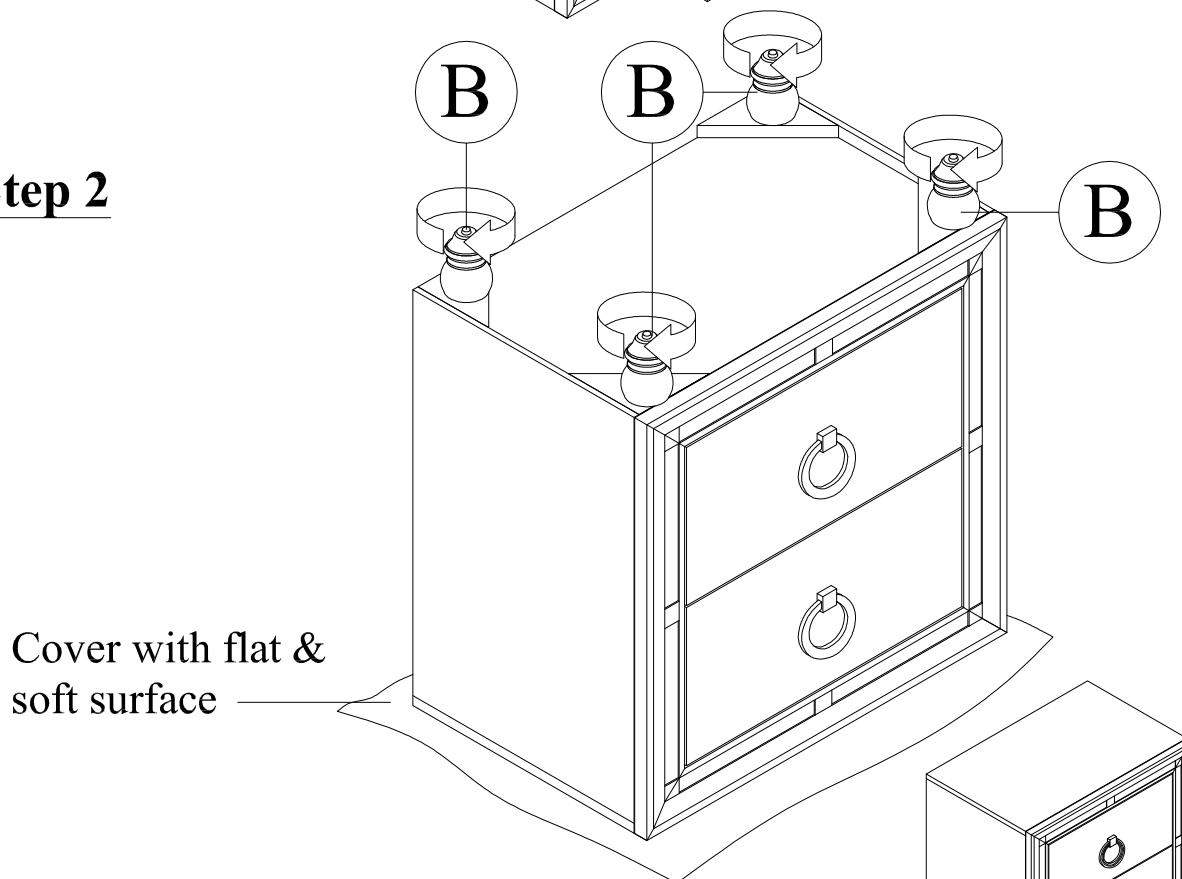
# ASSEMBLY INSTRUCTION

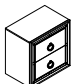

MODEL NO: NIGHT STAND

## Step 1



## Step 2



ITEM	DRAWING	DESCRIPTION	QTY
A		NIGHT STAND	1
B		BUN FOOT	4

**COMPLETED NIGHT STAND  
ASSEMBLY**

MADE IN MALAYSIA

1623SV NIGHT STAND