

ASSEMBLY INSTRUCTIONS

DESCRIPTION : TIFFANY-SILVER-DR /
TIFFANY-SILVER-MR

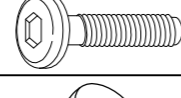




MODEL : FBDSRA-198A + FBMIRR-198A

REVISION : A

Component List

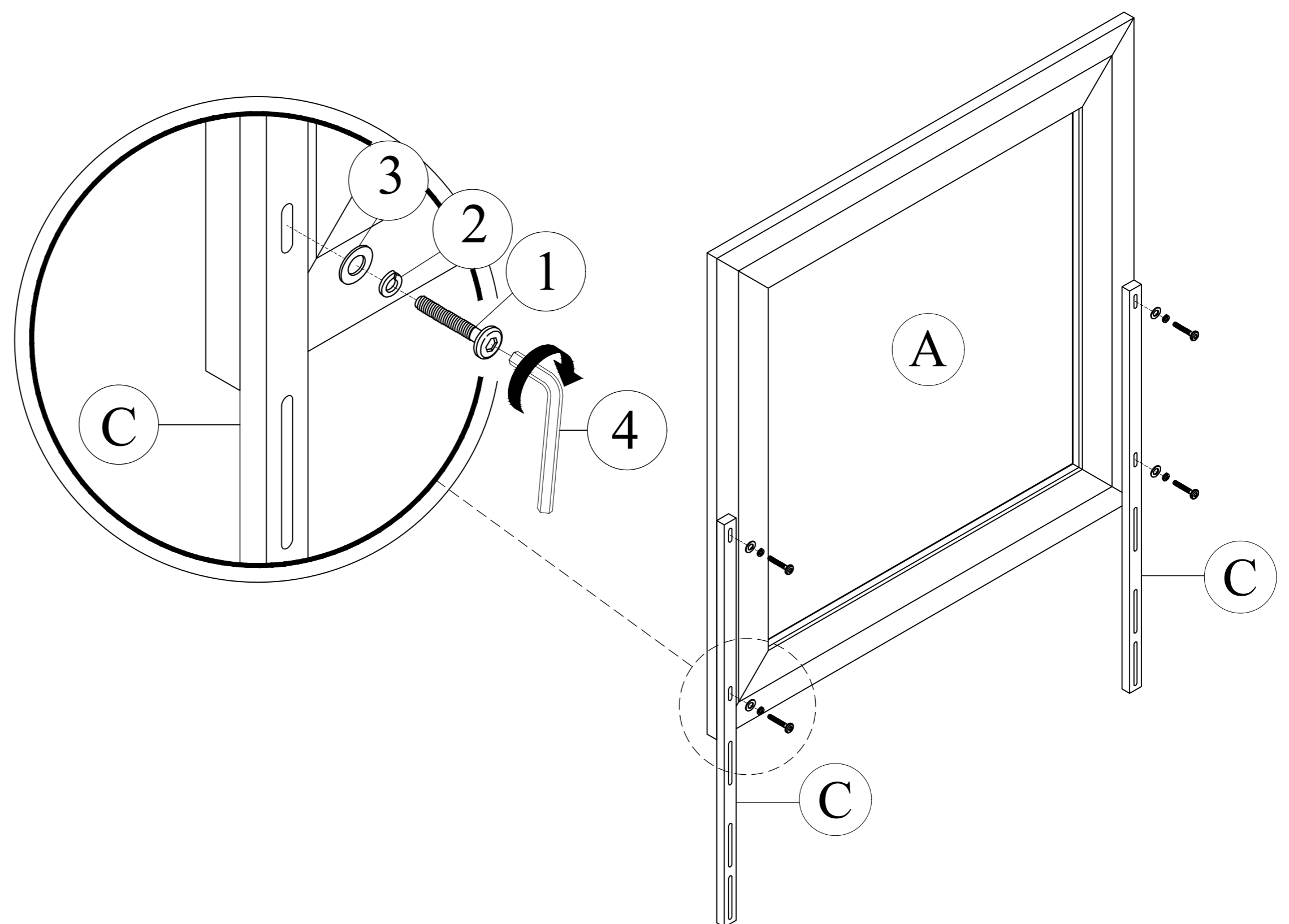
| No | Description | Qty |
|----|-----------------|-----|
| A | Mirror | 1 |
| B | Dresser | 1 |
| C | Mirror Support | 2 |
| D | Dresser Support | 1 |

Hardware List

| No | Description | Qty |
|----|--|-----|
| 1 | JCBC M6 x 35mm  | 8 |
| 2 | Spring Washer Ø1/4"  | 8 |
| 3 | Flat Washer Ø1/4" x 20mm  | 8 |
| 4 | L Key M4  | 1 |
| 5 | Dc Adapter  | 1 |

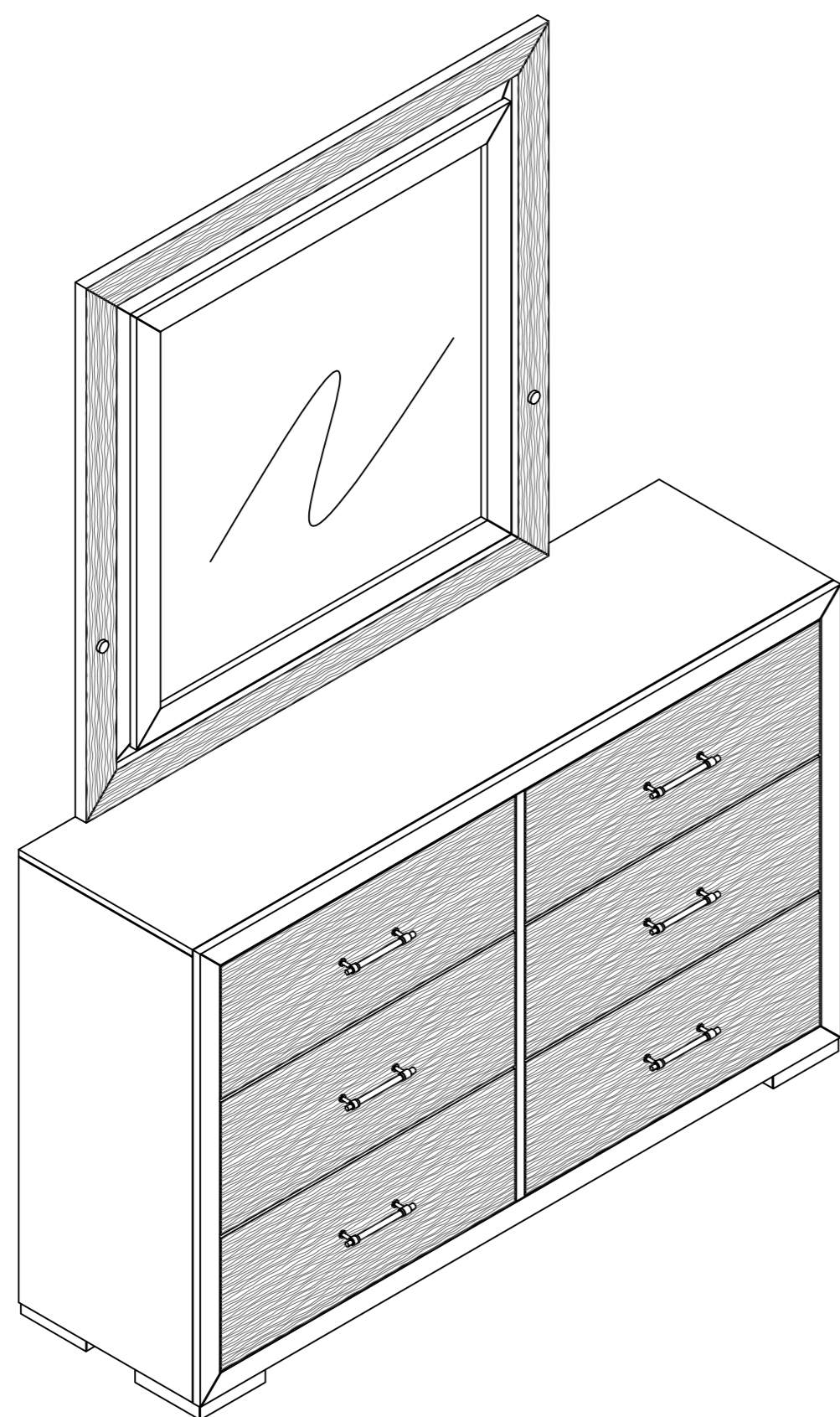
STEP 1

Attach Mirror Support (C) to the Mirror (A) back, then tighten with JCBC screw (1), Spring Washer Ø 1/4" (2), Flat Washer Ø 1/4" x 20mm (3) and fully tighten with L key M4 (4).

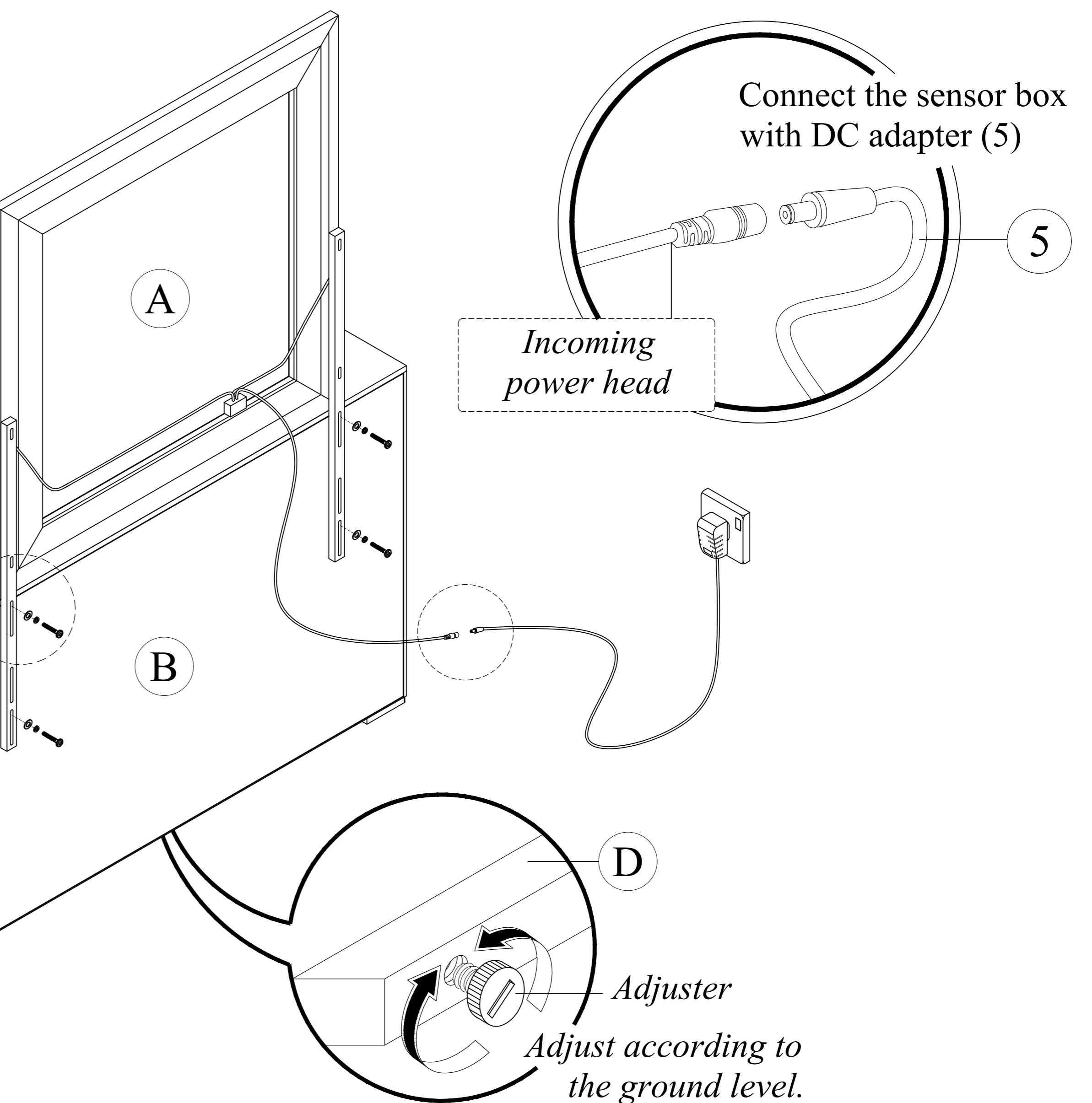


STEP 2

Place the mirror with support on the top of Dresser (B). Then align center as shown and tighten with JCBC screw M6 x 35mm (1), Spring Washer Ø 1/4" (2), Flat Washer Ø 1/4" x 20mm (3). Tighten using L Key M4 (4).



ASSEMBLY COMPLETED



NOTE : MUST TIGHTEN SCREWS PERIODICALLY WITH USE SCREW WILL BECOME LOOSE.
CHECK TIGHTNESS OF ALL SCREW EVERY 6-8 WEEKS.