

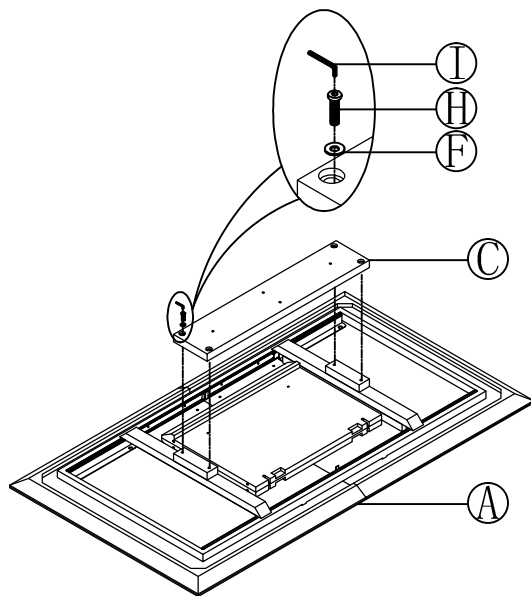
ASSEMBLY INSTRUCTION

Model : D2279DT

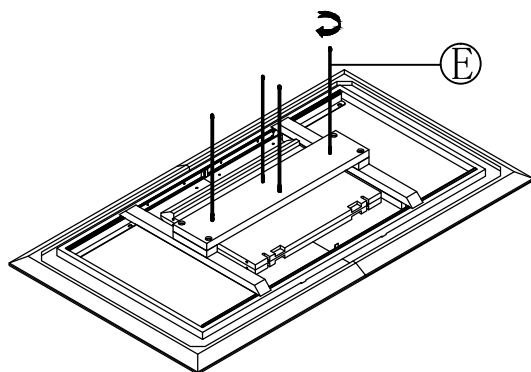
Description : DINING TABLE

Thank you for purchasing this quality product. Be sure to check all packing material carefully for small parts that may have come loose inside the carton during shipment.

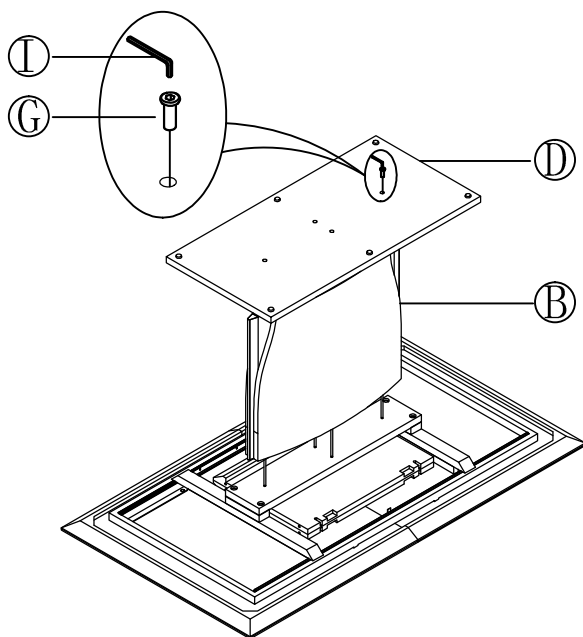
Step 1:



Step 2:



Step 3:



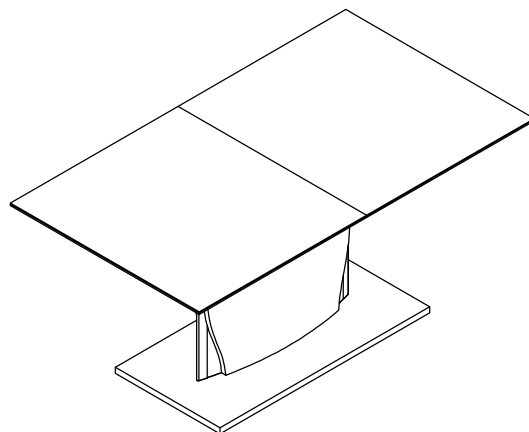
PART LIST :

No.	Description	Diagram	Quantity
A	table top		1
B	Column		1
C	wood plate		1
D	table base		1

HARDWARE LIST :

No.	Description	Diagram	Size	Quantity
E	Stud		M8 x 615mm	4
F	Flat washer		Ø20 x10mm	4
G	nut		M8 x 25mm	4
H	Bolt		M8 x 35mm	4
I	Allen key		M5	1

Finished



Made In China

