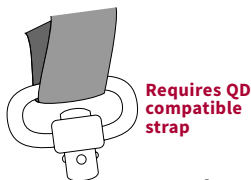
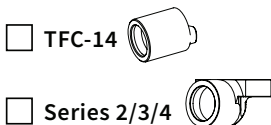


QD STRAP SYSTEM

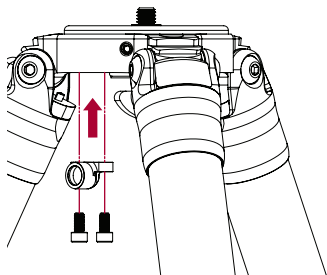
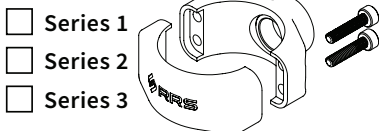
Only for RRS 'Pods



Apex QD Mount

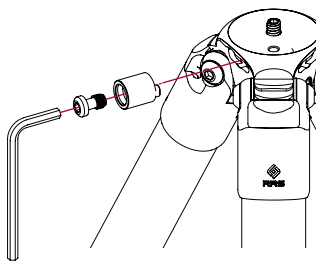


Leg QD Collar



For Series 2/3/4*

Install Apex QD Mount to underside of apex with two screws.



For TFC-14* and Monopods**

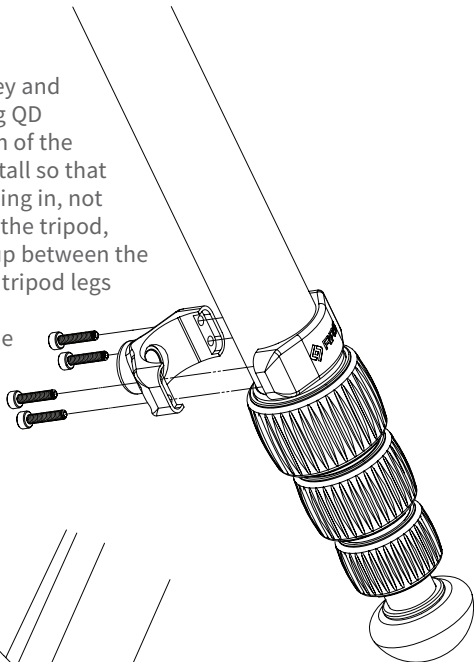
Install Apex QD Mount into threaded socket on side of apex.

* Apex QD Mounts are compatible only with mid-2016 and newer Series 2/3/4 tripods. Series 1 Apex QD Mount is compatible only with the TFC-14 (not compatible with TQC-14).

** Requires 3/8"-16" to 1/4"-20" reducer bushing

Leg QD Collar

Use included hex key and screws to install Leg QD Collar to the bottom of the first leg section. Install so that the QD socket is facing in, not out. When carrying the tripod, the strap will feed up between the other two legs. The tripod legs will remain folded together without the need to tie them.



LEG QD IN USE

