




ASSEMBLY INSTRUCTION

GLOBAL FURNITURE USA





MODEL : 9828 ROMO
DESCRIPTION : ROMO-WHITE-CH





Thank you for purchasing this quality product. Be sure to check all packing material carefully for small parts which may have loose inside the carton during shipment. Identify and count all parts and compare with the parts list below.

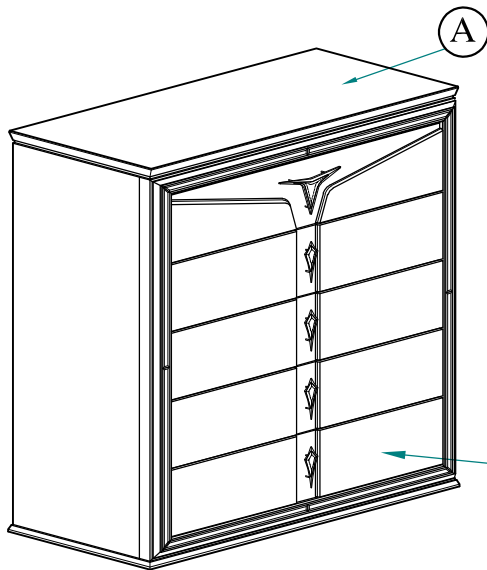
PART LIST#

NO	DRAWING	DESCRIPTION	QTY
A		Chest	1pc
B		Acrylic Leg	2pcs
C		Metal Leg	2pcs

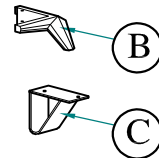
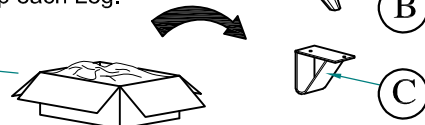
HARDWARE LIST#

NO	NAME	PART	QTY
1	Allen Key 5mm		1pc
2	JCBC - $\frac{5}{16}$ " x 35mm		4pcs
3	$\frac{5}{16}$ " Spring Washer		4pcs
4	$\frac{5}{16}$ " Flat Washer		4pcs
HARDWARE LOCATED IN ACRYLIC LEG BOX			

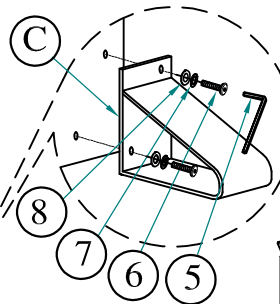
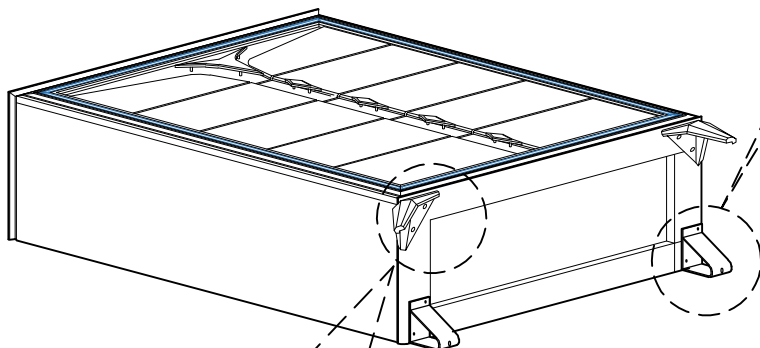
5	Allen Key 4mm		1pc
6	JCBC - M6 x 20mm		4pcs
7	M6 Spring Washer		4pcs
8	M6 Flat Washer		4pcs
HARDWARE LOCATED IN METAL LEG BOX			



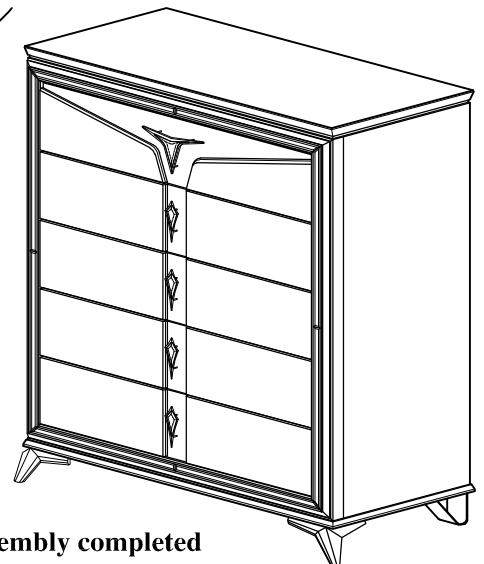
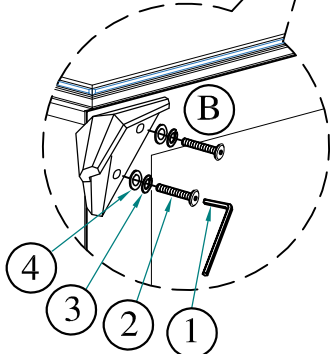
Remove Leg carton located in the drawer of the casegood. Remove and unwrap each Leg.



Step 2 : Secure the (C) Metal Leg to the bottom of (A) Chest tighten using (6) JCBC 20mm, (7) M6 Spring Washer & (8) M6 Flat Washer as a diagram shown.



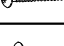
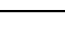


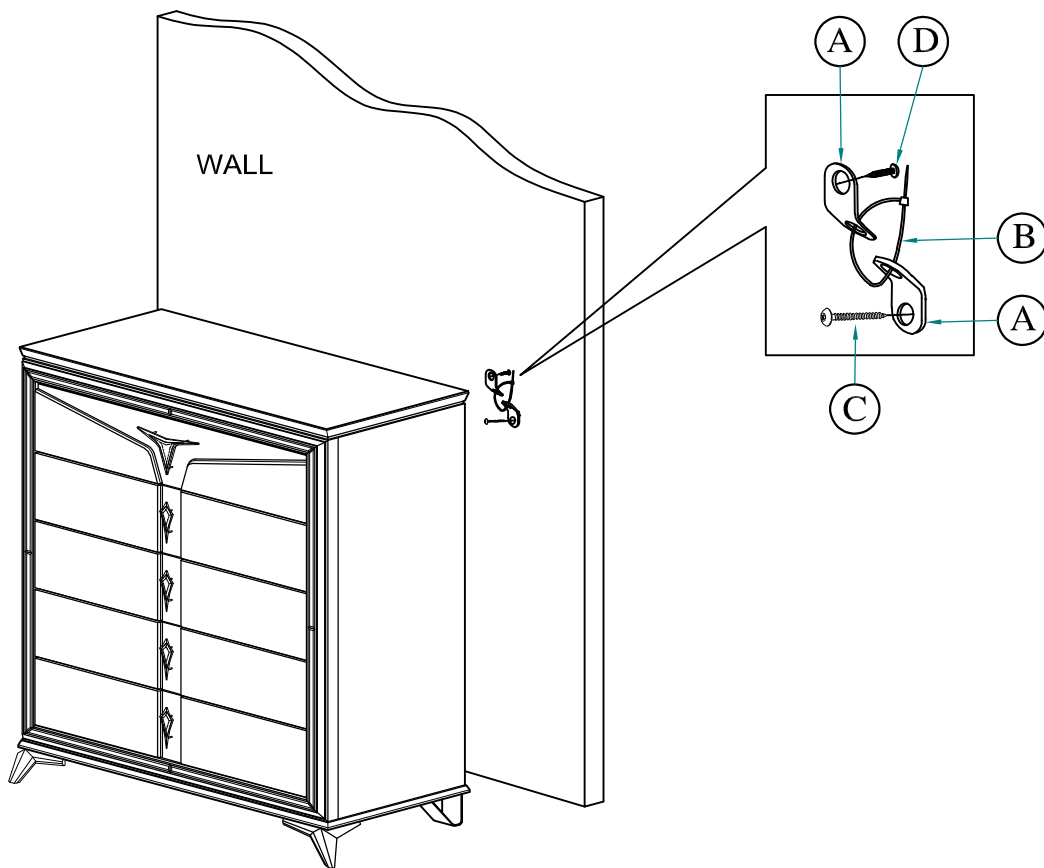
Step 1 : Secure the (B) Acrylic Leg to the bottom of (A) Chest tighten using (2) JCBC $\frac{5}{16}$ " x 35mm, (3) $\frac{5}{16}$ " Spring Washer & (4) $\frac{5}{16}$ " Flat Washer as a diagram shown.



Assembly completed

HARDWARE LIST (ANTI TIPPING)

NO	NAME	PART	QTY
A	Bracket		2pcs
B	Tie Wrap		1pc
C	Long Screw		1pc
D	Short Screw		1pc



Assembly completed