



ASSEMBLY INSTRUCTIONS

MODEL : YLIME CONSOLE TABLE

(BOX 1)

BOX OF COFFEE TABLE

NO	ITEM	QTY
A	TABLE TOP 	1 PC
B	CENTER PANEL 	1 PC






(BOX 2)

BOX OF TABLE LEG

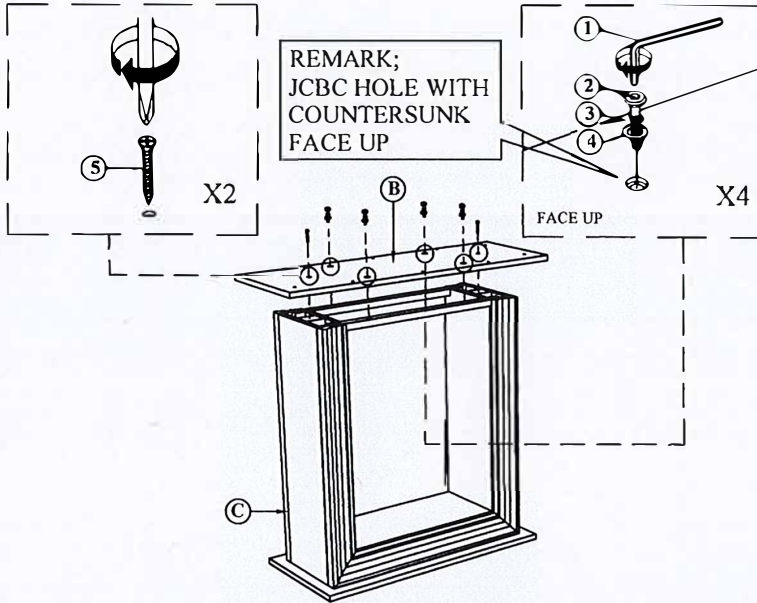
NO	ITEM	QTY
C	TABLE LEG 	1PC

(BOX 1)

HARDWARE LIST

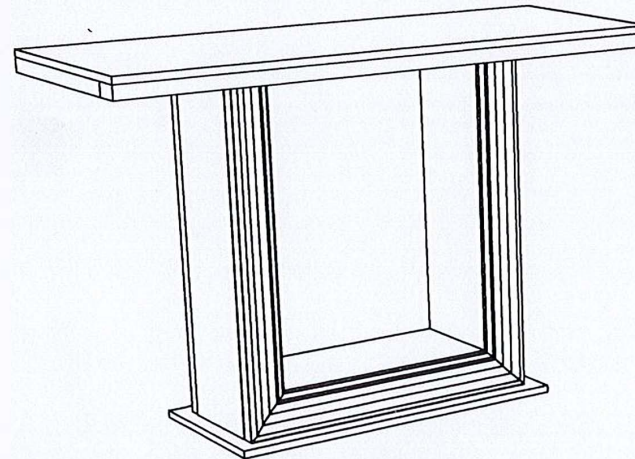
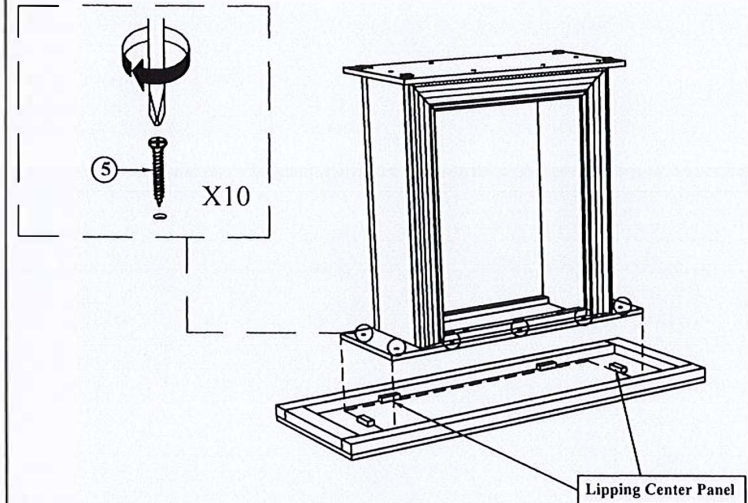
No	ITEM	Qty
1	Allen Key M4 X 65mm 	1 pc
2	JCBC Bolt m6x30mm Blk 	4 pcs
3	Spring Washer 1/4" Blk 	4 pcs
4	Flat Washer 1/4"IDx13mmOD Blk 	4 pcs
5	Flat Head Chipboard Screw m4x25mm Rbw 	12 pcs

STEP 1 : Attach the Center Panel (B) on the Table Leg (C), use JCBC Bolt (2) ,Spring Washer (3) & Flat Washer (4) use an Allen Key (1) and Chipboard Screw (5) to fix.



STEP 2 :

Align and placing the Fixed Leg with Center panel to the bottom table top (A) UPSIDEDOWN position by following the lipping center panel as shown. Use Chipboard Screw (5) to fix.



COMPLETED ASSEMBLY

NOTE : MUST TIGHTEN SCREWS PERIODCALLY OR SCREWS WILL BECOME LOOSE.CHECK TIGHTNESS OF ALL SCREWS EVERY 6-8 WEEKS.