



RAPID SHUTDOWN BOX

/ The convenient rapid shutdown solution for Fronius inverters.

AVAILABLE NOW: FRONIUS RAPID SHUTDOWN BOX DUO AND MULTI
AVAILABLE NOVEMBER 2017: FRONIUS RAPID SHUTDOWN BOX QUATTRO



/ The new generation Fronius Rapid Shutdown Box (RSB) provides a convenient solution for NEC 2014 (690.12) and NEC 2017 (Array Disconnect) compliance, while enhancing overall rooftop and firefighter safety. Low-profile design, installer-friendly mounting and wiring, make the Fronius Rapid Shutdown Box the ultimate solution for all Fronius SnapINverters* in systems up to 600 V. Directly connected to the inverter through the same conduit as the DC homeruns and powered by the array, the Fronius solution minimizes the number of components and eliminates the need for an external power supply.

/ The low-profile design allows for installation underneath the modules, ensuring a clean system look. Thanks to the NEMA 4X rating, the box is built for severe outdoor conditions. MC4 connectors, spring loaded terminals and generous wiring space make wiring our new generation Rapid Shutdown Box even easier. Rapid Shutdown is triggered when AC is not present at the inverter, rapidly discharging the DC lines to the inverter. This allows for a seamless, code compliant solution to the NEC requirement for rapid shutdown functionality for PV systems on buildings.

SLEEK DESIGN

- / Low-profile design that fits underneath a module for clean system look
- / Mounting bracket with multiple mounting options for maximum flexibility
- / NEMA 4X rated for severe outdoor conditions

EASY WIRING

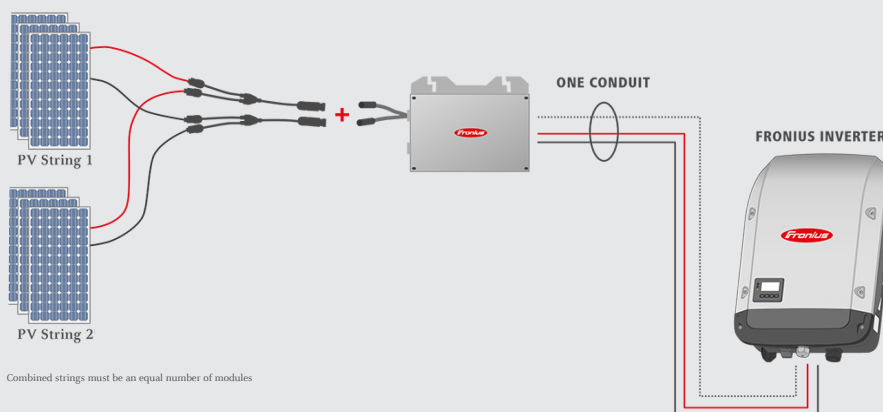
- / MC connectors, spring load terminals and generous wiring space
- / 25A rated inputs for up to two strings per input (via MC4 "Y" connectors)

SMALL NUMBER OF COMPONENTS

- / Rapid Shutdown Box replaces your junction box
- / DC-powered: no extra power supply needed



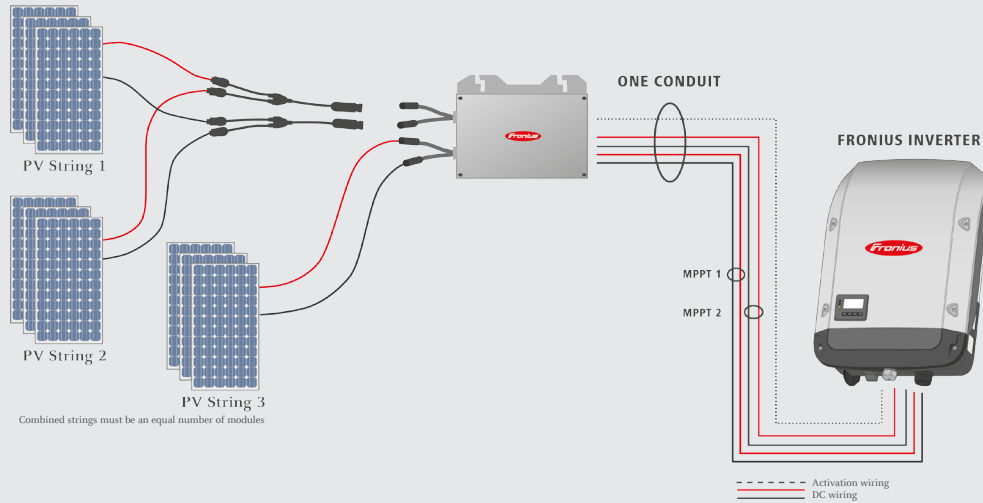
SAMPLE CONFIGURATION DUO



* Excluding the Fronius Symo 15.0-3 208

--- Activation wiring
— DC wiring

SAMPLE CONFIGURATION QUATTRO



TECHNICAL DATA

GENERAL DATA	RAPID SHUTDOWN BOX-DUO	RAPID SHUTDOWN BOX-QUATTRO
Maximum voltage		600 VDC
Start voltage		80 VDC
Maximum input current	25A	25A/ 25A
Power Supply	DC (from the PV array)	
Typ. self-consumption during operation	2 W	
Input Circuits- MC-4	1(2 if used with MC-4 Y connector)	2(4 if used with MC-4 Y connectors)
Max. number of strings	2	4
Max. output current	25A	25A/ 25A
Output circuits-Spring clips	1	2
Max. DC homerun wire size	AWG 8	
Max. communication wire size	AWG 14	
Number of conduit ports	2	
Conduit size	3/4in. and 1in.	
For use with Amphenol H4/other connectors	Remove MC-4 connectors and replace with UL listed connectors	
External hardware required	No	
Permissible operating temperature range	-40F to +149F (-40C to +65C)	
Rel. humidity	0 ... 100% (non condensing)	
Maximum installation elevation	13123 ft (4000m)	
Enclosure Type	Type 4X	
Unit dimensions	11.3 x 9.7 x 2.8 inch (286 x 246.5 x 71.5 mm)	13.8 x 11.5 x 2.8 inch (351 x 293 x 71.5 mm)
Unit weight	4 lbs. (1.8 kg)	6 lbs. (2.7 kg)
Compliance	UL1741; LTR AE-004-2015; FCC 15 Class B	
Compatible inverters	Fronius Galvo, Fronius Primo**, Fronius Symo (excluding the Fronius Symo 15.0-3 208) up to 600V	

** Note: For automatic rapid shutdown functionality, the Primo 10-15kW must have a recent software version. Power stage SW2 seen in the inverter display "info" menu under "versions" must be 0.6.34.4 or greater (as shipped with serial number 27384701 or greater). Updates are available through software update file version fro27350.upd and can be easily downloaded at www.fronius-usa.com/Primo-Update and installed via USB stick or remote update via Fronius Solar.web.



/ Perfect Welding / Solar Energy / Perfect Charging

WE HAVE THREE DIVISIONS AND ONE PASSION: SHIFTING THE LIMITS OF POSSIBILITY.

/ Whether welding technology, photovoltaics or battery charging technology – our goal is clearly defined: to be the innovation leader. With around 3,700 employees worldwide, we shift the limits of what's possible - our record of over 800 granted patents is testimony to this. While others progress step by step, we innovate in leaps and bounds. Just as we've always done. The responsible use of our resources forms the basis of our corporate policy.

Further information about all Fronius products and our global sales partners and representatives can be found at www.fronius.com

Fronius USA LLC
6797 Fronius Drive
Portage, IN 46368
USA

pv-support-usa@fronius.com
www.fronius-usa.com