

MR12045P

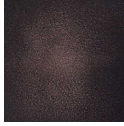
INSTALLATION GUIDE

ryton towel warmer,
plug-in

BRUSHED NICKEL(BN)



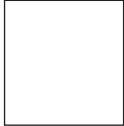
OIL RUBBED BRONZE(OB)



CHROME(CH)



WHITE(WH)



POLISHED NICKEL(PN)



BLACK(BK)



artos[®]

MR12045P

OPERATING SPECIFICATIONS

ryton towel warmer,
plug-in



FEATURES

Towel warming, drying and auxiliary heating.

ELEMENT

300W, 110V

CODES

UL Approved

CSA-US Approved

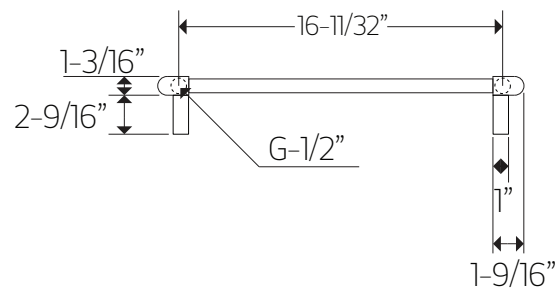
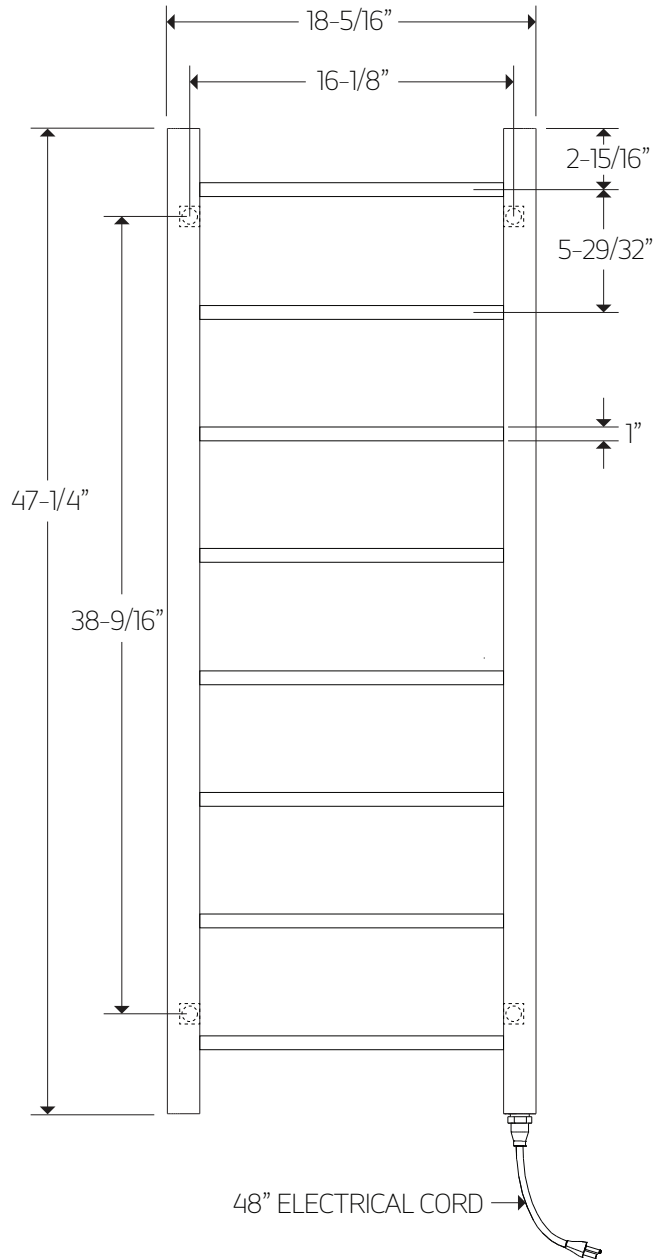
REQUIREMENTS

The towel warmer must be installed so that the Element is at the bottom.

MR12045P

PRODUCT DIMENSIONS

ryton towel warmer,
plug-in



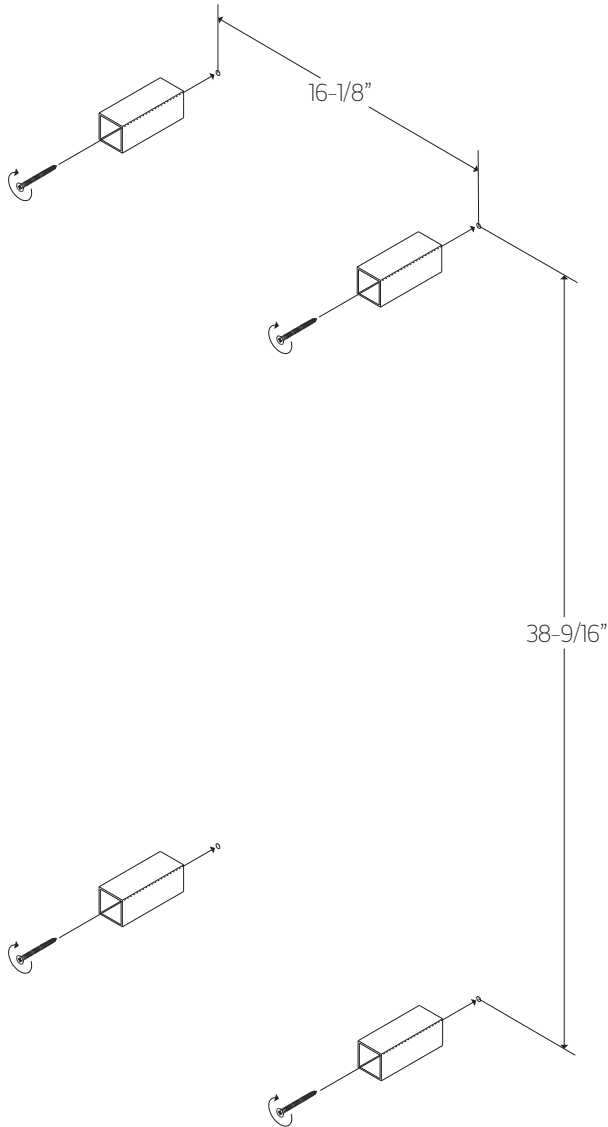
artos[®]

MR12045P

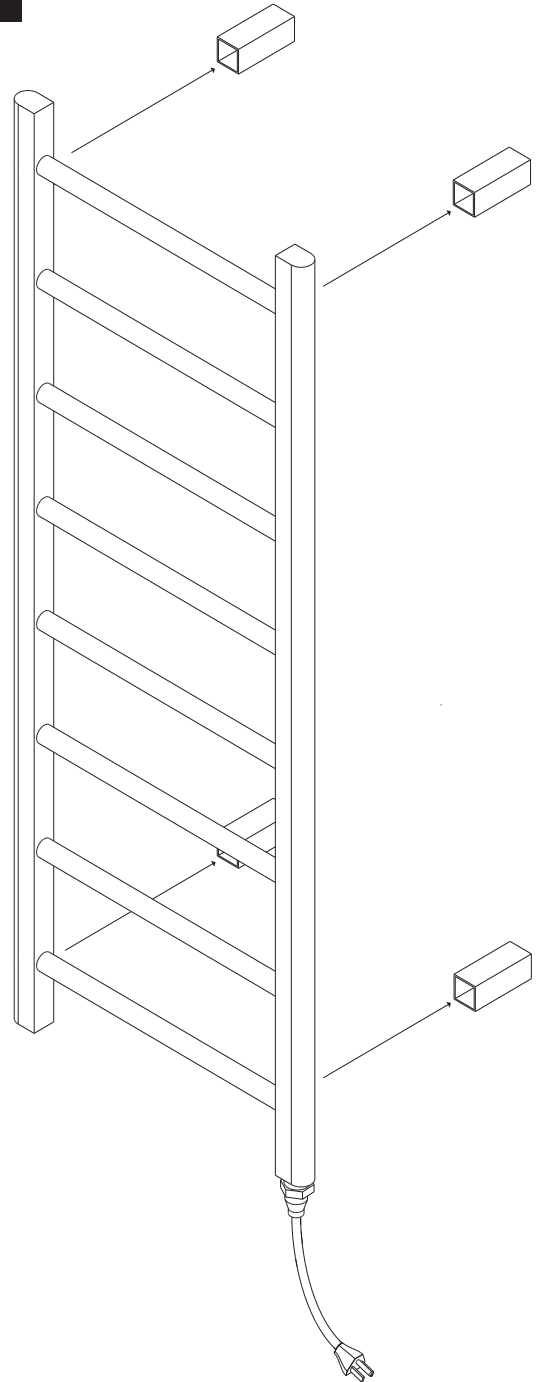
ryton towel warmer,
plug-in

STEP 1

*DIMENSIONS ARE APPROXIMATE FOR
BLOCKING PURPOSES, PLEASE MEASURE UNIT

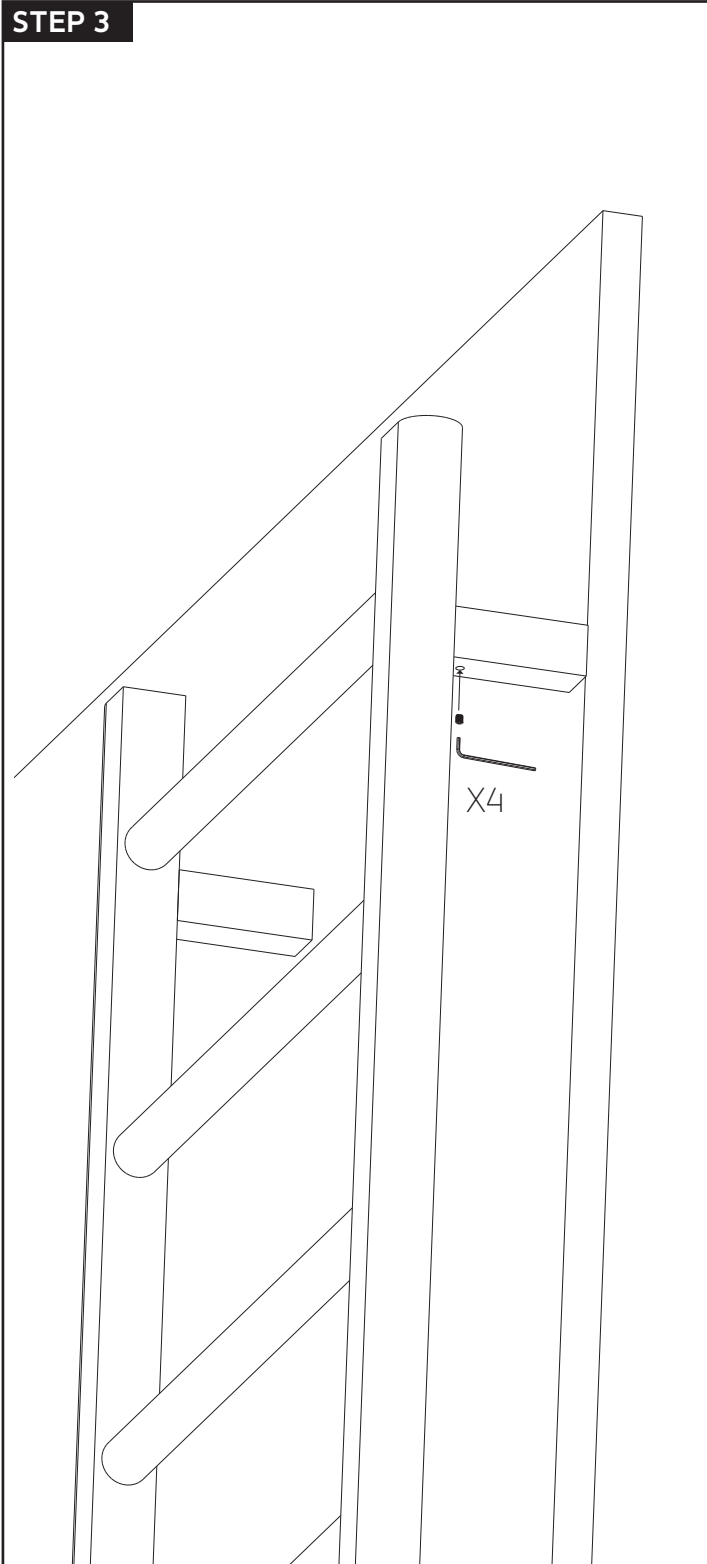


STEP 2



INSTALLATION STEPS

STEP 3

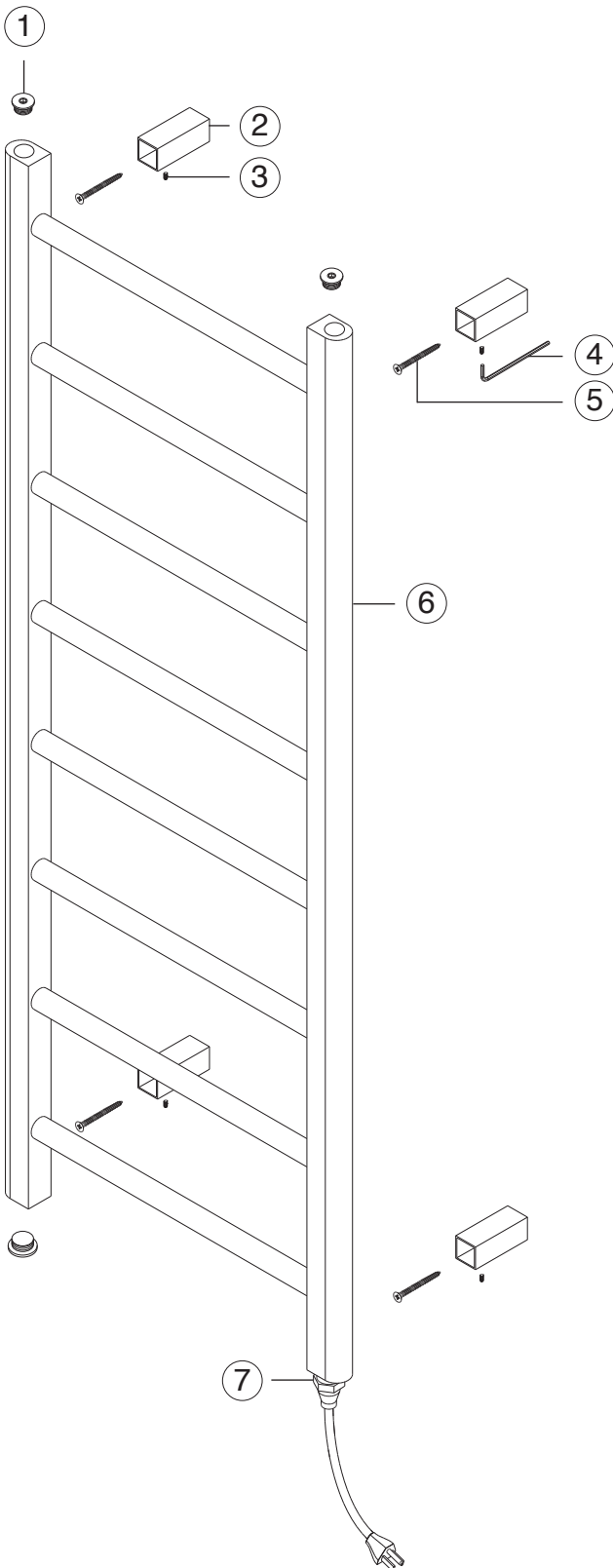


artos[®]

MR12045P

PARTS BREAKDOWN

ryton towel warmer,
plug-in



- ① **BLANKING CAP(3)** MR12045P XP1
- ② **WALL BRACKET(4)** MR12045P XP2
- ③ **BRACKET SET SCREW(4)** MR12045P XP3
- ④ **ALLEN WRENCH** MR12045P XP4
- ⑤ **BRACKET SCREW(4)** MR12045P XP5
- ⑥ **TOWEL WARMER** MR12045P XP6
- ⑦ **ELEMENT** MR12045P XP7

Artos® Warranty Decorative Towel Dryers

Artos® towel dryers have been manufactured under the highest quality and manufacturing standards.

Artos® towel dryers have a 5-year warranty against leaks and manufacturing defects to the finish. The heating element itself has a 2-year warranty.

For best results, keep the following in mind to retain the high quality finish of your Artos towel warmer:

- Use a soft, dampened sponge or cloth. On no account should you use a abrasive material such as a brush, scouring pad or steel wool to clean surfaces.
- Test your cleaning agent solution on an inconspicuous area before applying to the entire faucet.
- Wipe surfaces clean and rinse completely with water immediately after applying cleaning agent.
- An ideal cleaning technique is to rinse faucet thoroughly and blot dry an water from the surface after each use.

This warranty applies to installations in the US, Canada and Mexico (North America). Commercial, Industrial or business uses are warranted for a period of one year from the original date of purchase. This warranty is non-transferable and applies exclusively to the original owner or end-user.

If a defect is found during normal use, Artos® will, at its election, repair, replace or make an appropriate adjustment. Damage caused by accident, misuse, abuse, improper installation or alteration will void the warranty.

This warranty does not cover replacement parts where damage is caused by normal wear and tear. Labor charges, installation or other incidental or consequential costs will not be covered. Replacement parts that qualify for warranty repair can be obtained by contacting Artos® at 1-877-9ARTOS9 or by e-mail at info@artos.us.co

Proof of purchase (original sales receipt) from the original consumer purchaser must accompany all warranty claims. When submitting your claim in writing, please provide your name, address and telephone number.