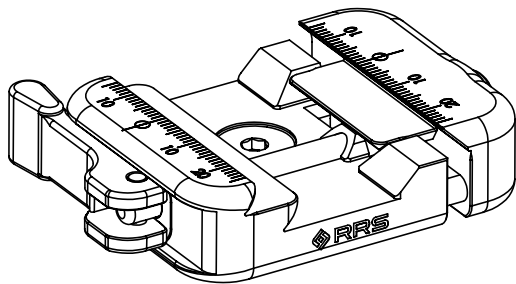




1146 Farmhouse Lane, San Luis Obispo, CA 93401 USA
 1-805-528-6321 | 1-888-777-5557
www.ReallyRightStuff.com

SOAR LEVER RELEASE CLAMPS

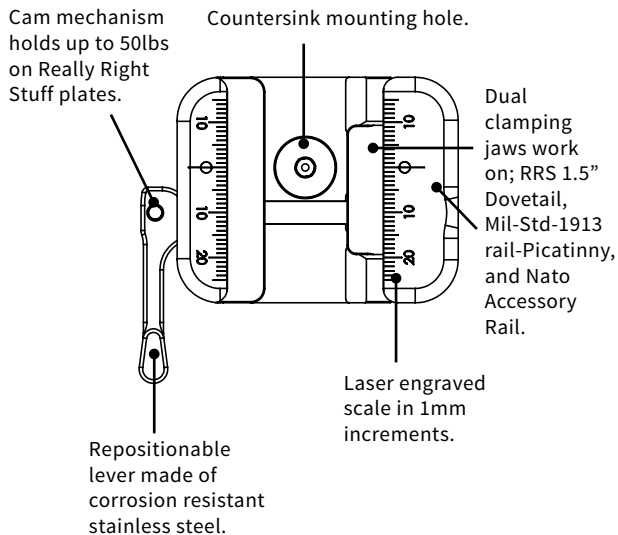
SC-LR



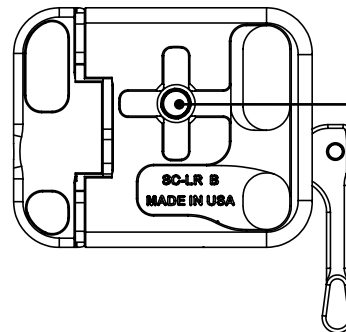
Really Right Stuff SOAR lever-release clamps use our patent pending dual clamp design to attach to the RRS 1.5" dovetail standard and Picatinny rail sections.

KEY FEATURES

Top View of SC-LR:



Bottom View of SC-LR:



Center hole is keyed with a double "tongue-and-groove" to allow for multi-direction mounting options. Threaded 3/8"-16 hole.

GUARANTEE

ALL REALLY RIGHT STUFF BRAND PRODUCTS ARE GUARANTEED TO THE ORIGINAL PURCHASER TO BE FREE OF DEFECTS IN MATERIALS OR WORKMANSHIP FOR FIVE (5) YEARS FROM THE DATE OF PURCHASE. PRODUCTS WILL BE REPAIRED OR REPLACED AT OUR OPTION.

RRS lever-release clamps are protected by multiple US patents. Check our website for a complete list:
<http://www.reallyrightstuff.com/Patents>

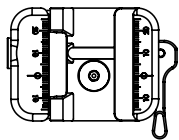
©, ™, © 1990-2018 Really Right Stuff, LLC. All rights reserved.

USING YOUR CLAMP

Your clamp has 3 distinct positions.

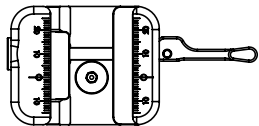
1. Fully Open

Open lever to the fully open position and you can quickly top-load your quick-release plates and picatinny rails.



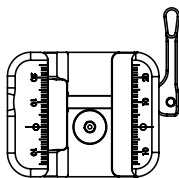
2. Halfway Open

With your quick-release plate engaged in the clamp, flip the lever to the halfway open position. Only your 1.5" dovetail plates freely slide in the clamp, but can't be lifted out.



3. Fully Closed

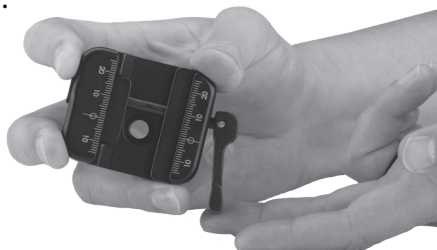
In this position your clamp should not move under normal circumstances with the RRS 1.5' Dovetail. When using under recoil, please use the optional safety stops that come with all of our plates (in case a plate shifts into an undesired location).



REPOSITIONING THE LEVER-RELEASE DIRECTION

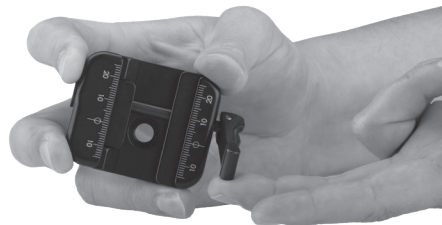
The SC-LR has the ability to change the desired open/closing direction by 180 degrees.

1.



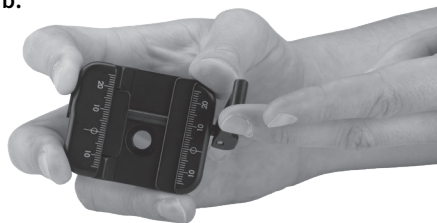
1. With the lever in the open position, squeeze the clamp body and jaw together to expose the shaft.

2a.



2. With the clamp/body squeezed together rotate the lever 180 degrees either ccw/clock-wise in order to change the desired direction of closing/opening.

2b.



3. Ensure the lever and the bronze bearing plate are in the correct position before releasing the pressure from the clamp body and jaw.

3.

