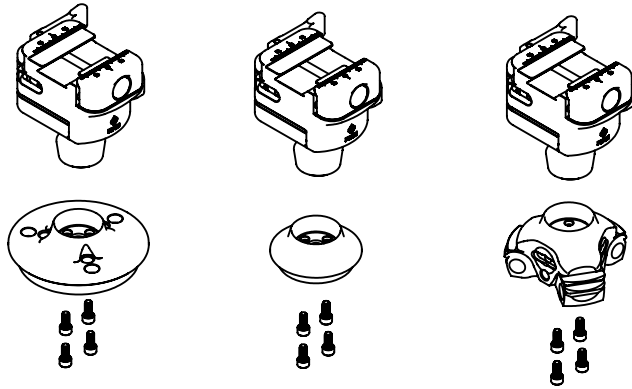


OPERATION

Attach the Anvil-30 to a RRS tripod with the TFCT-2x/3x Apex Conversion Kit, TVC-2x/3x platform adapters

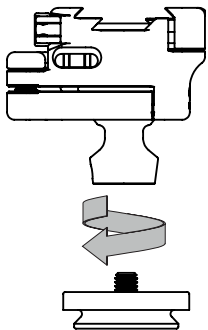
1. Lay the Anvil-30 upside down on a work table, and insert (1) drop of supplied Blue Loctite in each of the (4) smaller threaded holes, make sure to not overfill
2. Align the Apex, or platform adapter over the tapered ball base and locate the threaded holes
3. Insert the (4) supplied screws and tighten in a star pattern to ensure proper fit of the ballhead



Attach the Anvil-30 to a non-RRS tripod

Thread the Anvil-30 using the Center threaded 3/8"-16 attachment port directly to your tripod (this is not a fully secure method, panning counter-clockwise could loosen the ballhead)

1. Thread the Anvil-30 using the Center threaded 3/8"-16 attachment port directly to your tripod (this is not a fully secure method, panning counter-clockwise could loosen the ballhead)
2. Some users may order the Anvil-30 with one of our platform adapters in-order to use the threaded holes as pinch stops with set screws (screws not supplied with this method)
3. The Platform adapters are also threaded 3/8"-16 for users that would like to directly thread a wider base to the top of their tripod platform

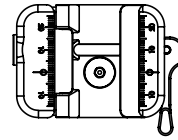


USING YOUR CLAMP

Your clamp has 3 distinct positions.

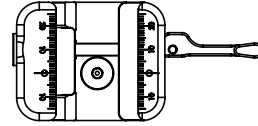
1. Fully Open

Open lever to the fully open position and you can quickly top-load your quick-release plates and picatinny rails



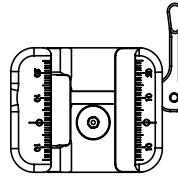
2. Halfway Open

With your quick-release plate engaged in the clamp, flip the lever to the halfway open position. Only your 1.5" dovetail plates freely slide in the clamp, but can't be lifted out



3. Fully Closed

In this position your clamp should not move under normal circumstances with the RRS 1.5" Dovetail. When using under recoil, please use the optional safety stops that come with all of our plates (in case a plate shifts into an undesired location)

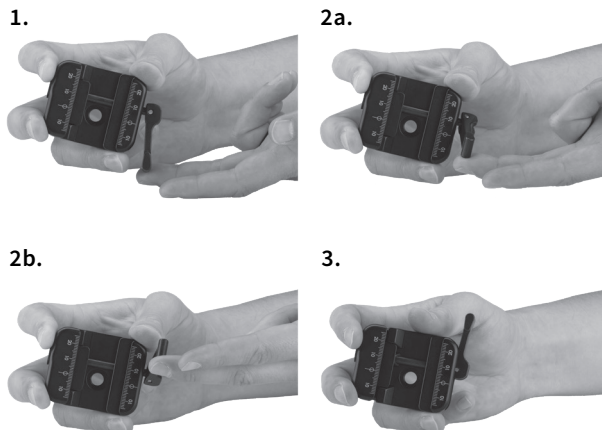


REPOSITIONING THE LEVER-RELEASE

DIRECTION

The Anvil-30 clamp has the ability to change the desired open/closing direction by 180 degrees.

1. With the lever in the open position, squeeze the clamp body and jaw together to expose the shaft
2. With the clamp/body squeezed together rotate the lever 180 degrees either ccw/clock-wise in order to change the desired direction of closing/opening
3. Ensure the lever and the bronze bearing plate are in the correct position before releasing the pressure from the clamp body and jaw



©, ™, ©1990-2018 Really Right Stuff, LLC. All rights reserved.

MAINTENANCE

General Care

The Anvil-30 body is finished with a protective anodized plating that protects the aluminum from corrosion and mild abrasion. It will not protect it from scraping against or dropping on rocks/concrete/etc.

The Anvil-30 comes packed in our protective LB-40 Cordura Pouch. When transporting your tripod, cover ballhead with the pouch and tighten the drawstring around the bottom to keep it in place.

Cleaning

Take whatever precautions you can to prevent you Anvil-30 from getting fouled in mud, dirt, or sand. When it gets dirty or fouled, dust and debris can be blown and/or wiped off with a soft cloth. Mud or salt water should be lightly rinsed off with fresh water and dried. If a more thorough cleaning is needed, we will have a video on the Anvil-30 listing demonstrating how to take it apart and re-time it to your needed strength.

Break-In

The ballhead is tuned from the factory to have a max lock-up of 35 ft-lbs. of torque. This can be adjusted/timed differently as mentioned in the "Cleaning" section above. If you like to work with an 85% open tension position, the factory setting is ideal for you "out of the box". Keep in mind after articulating the ballhead under "weighted-load" there can be some noticeable softening of the lever feel due to polishing the coating on the stainless-steel ball and bearing surface. Customers have been known to lubricate their ballhead for increased fluidity of motion. However we do not recommend this.

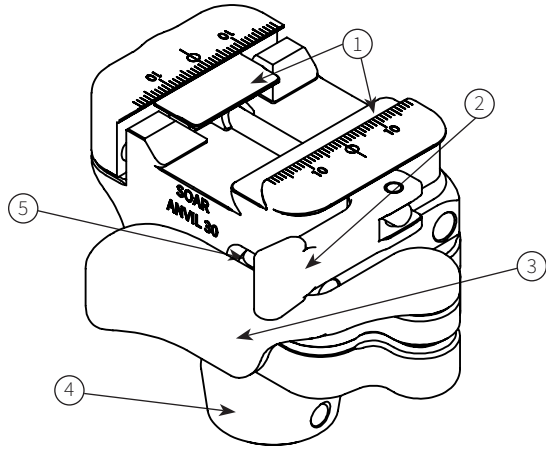
Lubrication

The Anvil-30 stainless steel ball is not lubricated at the factory. Both the main lock screw and jaw tongue and groove are lubricated during assembly, the tongue and groove of the jaw should not need additional lubrication for the life of the product, and the main lock screw can be lubricated with CLP if owner finds it necessary or takes it fully apart to clean. No lubrication is required by the end user. Avoid additional lubrication as this could attract dirt/dust. Keep the ball free from contamination to maintain smooth action.

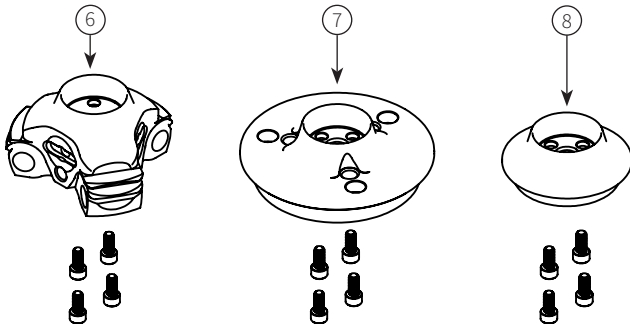
GUARANTEE

All Really Right Stuff brand products are guaranteed to the original purchaser to be free of defects in materials or workmanship for five (5) years from the date of purchase. Products will be repaired or replaced at our option.

KEY FEATURES



1. Built-In Patent Pending Dual Clamp works on both Picatinny and RRS 1.5" Dovetail
2. Stainless steel Black Oxide Re-positionable opening/closing lever
3. Stainless steel Black-Oxide Main lock lever, controls tension from fully open to fully closed
4. Tapered Ball Base, with cutout to ease in mounting to tighten or loosen on other manufacturers tripods with common hex keys to help with leverage, center threaded 3/8"-16 for direct connection to Male 3/8"-16 stud
5. Front and Back bubble levels, aide in removing cant, backlite with photo-luminescent green tape for low-light use
6. TFCT 2x/3x Conversion Kit specifically built for Anvil-30 adapts our carbon fiber legs to a smaller footprint to aide in longer distance trekking/traveling
7. TVC-3x Series platform adapter for use with the existing family of TVC-3x series tripods(TVC-33s/33/34/34L)
8. TVC-2x Series platform adapter for use with the existing family of TVC-2x series tripods(TVC-23/24/24L)



PACKAGE OPTIONS

Anvil-30 available as a package on the TFCT-34 and TFCT-24L tripod.



COMPANION PRODUCTS



VYCE™ QR Equipment Support Mount:
rrssoar.com/VYCE-Equipment-Support-Mount

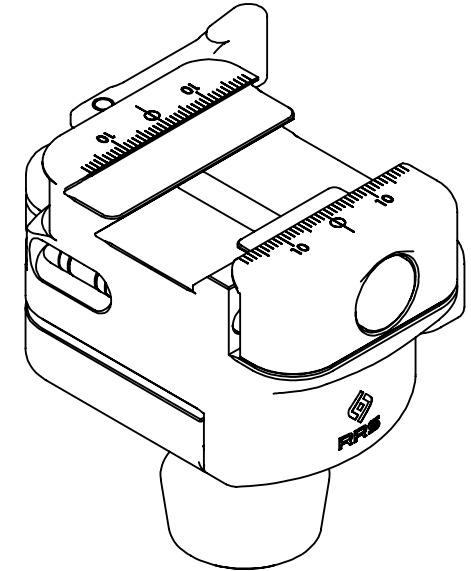


Custom and Multi-purpose Rifle Mounting Plates:
rrssoar.com/soar-plates



1-888-777-5557
rrssoar.com

ANVIL-30 BALLHEAD



Thank you for choosing our Really Right Stuff Anvil-30 Ballhead. It is the culmination of years of development based on first-hand experience and input from the hardcore enthusiast to demanding professionals. Please review this manual to see how you can get the most from your Anvil-30.

SPECIFICATIONS: ANVIL-30

Load Capacity.....	Factory 35 ft-lbs
Ball Articulation.....	+/-35°
Tension Adjustment	Adjustable/Single handle design
Height (top of clamp jaw)	2.88" (7.3cm)
Tripod Mount.....(1) Center threaded 3/8"-16, (4) 8/32" threaded holes for the taper lock function	
Ball Diameter.....	30mm
Weight.....	14.4oz/391g
Clamp Style	Built-in Patent Pending Dual Clamp works on Picatinny and RRS 1.5" Dovetail Standard
Mounting Screws.....	(4) #8 screws (torque to maximum 15in-lbs) *Only included with package option