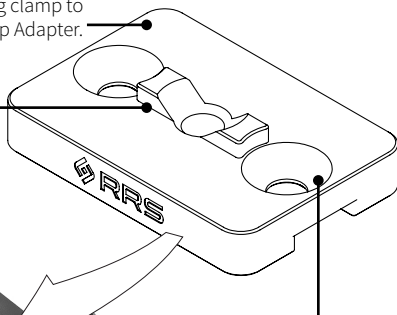


EVO-CA

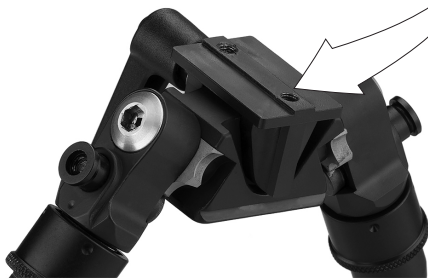
Add RRS Clamp to your Modular Evolutions bipod

Remove the existing clamp to
install our EVO Clamp Adapter.

Anti-twist flanges fit into
grooves on bottom of RRS
clamp to prevent rotation.



Mounting holes; **use original
Modular Evolutions
supplied mounting screws.**



Specifications

Compatibility.....	Modular Evolutions bipod
Material	CNC machined 303 Stainless Steel
Kit includes.....	one each EVO-CA, 1/8" hex key

INSTALLATION

- 1 REMOVE EXISTING CLAMP**
Use 1/8" hex key (included) to remove both screws. Expect resistance; screws were installed using threadlocker.



- 2 INSTALL EVO-CA**
Use manufacturer's screws to install EVO-CA as shown.



- 3 INSTALL RRS CLAMP**
Use RRS-supplied screw to mount clamp as shown. Use 5/32" hex key (included with clamp) to tighten.

