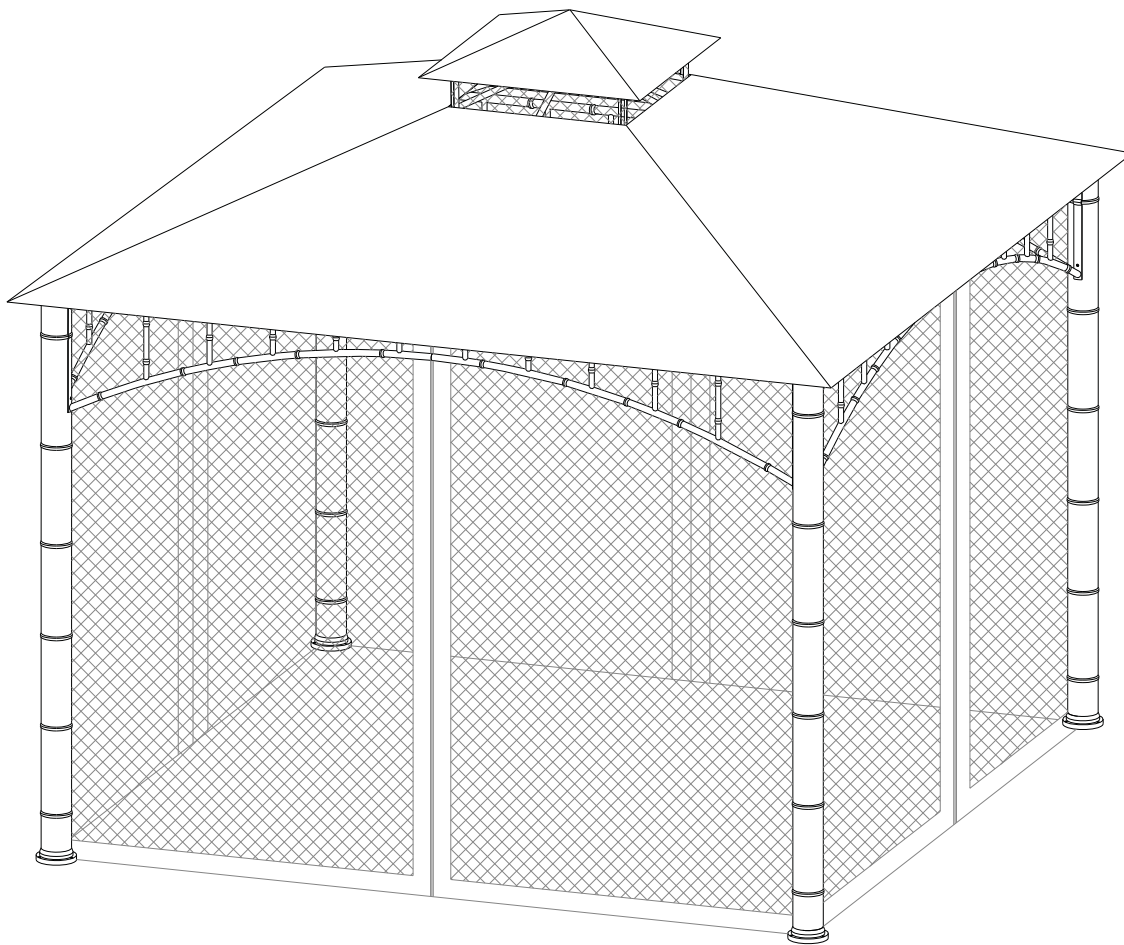


madaga gazebo

style # l-gz136pst-2

dpci # 009-05-0180



>>assembly instructions



Congratulations on your latest Target purchase.

Now what? Don't start sweating over this box of parts. This will be easy. We did the hard work for you. All you need to do is follow our simple instructions and you 'll be on your way to transforming your outdoor in no time. Good Luck-through we're confident you won't need it.

before you begin

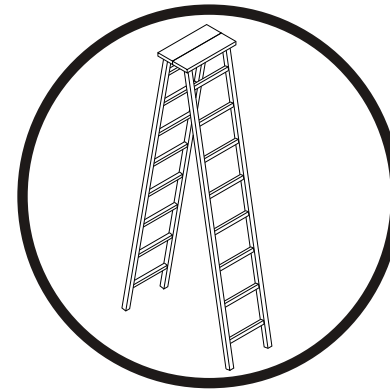
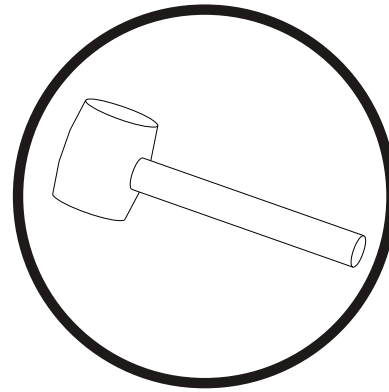
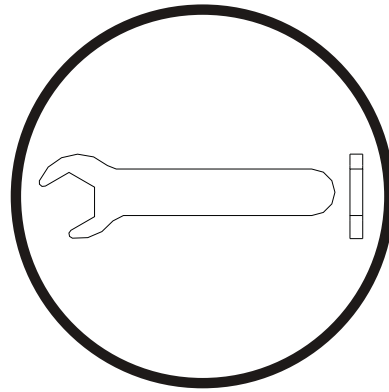
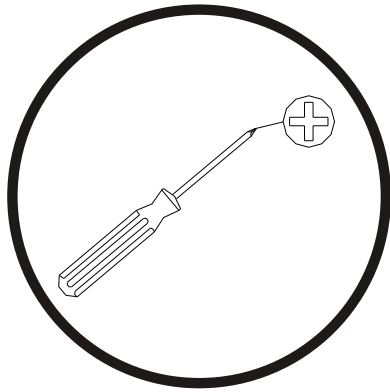
1. Checked for damaged or missing parts. Call 1-866-578-6569 to order missing supplies.
2. Use the carton as a working surface to prevent product damage during assembly.
3. Gather all tools prior to assembly.

Warning:

- This unit is heavy!
- Do not assemble this item alone for safety. Two persons are necessary.
- Some parts may contain sharp edges especially as noted in manual. Wear protective gloves if necessary.
- Do not play with the construction of the arbor. Children and pets should be supervised when they are in area of the arbor. Do not allow the gate of the side panel to collide hard to avoid danger.
- Read all instructions before assembly and using this product.
- Select ideal location. Set out all parts on a clear and level surface prior to assembly. Ideally, the gazebo frame should be Set up in its desired location to avoid moving it after assembly.
- Use caution. During all the process of assembling, especially when lifting heavy or large parts, pay attention to safety.
- Tools and assistance. Ladder and hammer are self-provided. Whenever possible, assistance is preferred.
- Check for damaged parts available. Before assembling your gazebo, check for damaged parts ,any part that appear Damaged should be carefully checked to determine that it will be operated properly and perform its intended function. Any part that is damaged should be properly repaired or replaced by a qualified technician.
- Refer to assembly diagram. During assembly, it will be helpful to referring to the assembly diagram.
- Keep children away. Children must never be allowed in the work area. Do not let them handle parts and tools. No people Will be permitted to enter into work area except who is working.
- Keep all flame and heat sources away from this gazebo fabric. This gazebo is made with fabric that meets cpai-84 Specifications for flame resistance. It is not fire proof. The fabric will burn if left in continuous contact with any flame source. The application of any foreign substance to the gazebo fabric may render the flame-resistant properties ineffective.

>>assembly instructions

tools needed



>>assembly instructions

table of contents



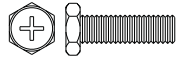
introduction	2-3
hardware	5
parts list	6
assembly	7-9

>>assembly instructions

QUESTIONS? Just call 1-866-578-6569 parts and service, have the style number and DPCI number ready when calling.

hardware pack 1

(H1) × 28
M6 × 20 screw
(TBZ01406020HQ)



(H2) × 28
M6 flat washer
(TBZ10806HQ)



hardware pack 2

(H3) × 8
M6 × 40 screw
(TBZ01406040HQ)



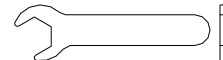
(H2) × 8
M6 flat washer
(TBZ10806HQ)



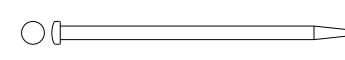
(H4) × 8
M6 nut
(TBZ20106HQ)



(H5) × 1
M6 wrench



(H6) × 12
peg
(TBZ10608180HQ)



hardware pack 3

(H3) × 4
M6 × 40 screw
(TBZ01406040HQ)



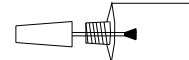
(H2) × 4
M6 flat washer
(TBZ10806HQ)



(H4) × 4
M6 nut
(TBZ20106HQ)



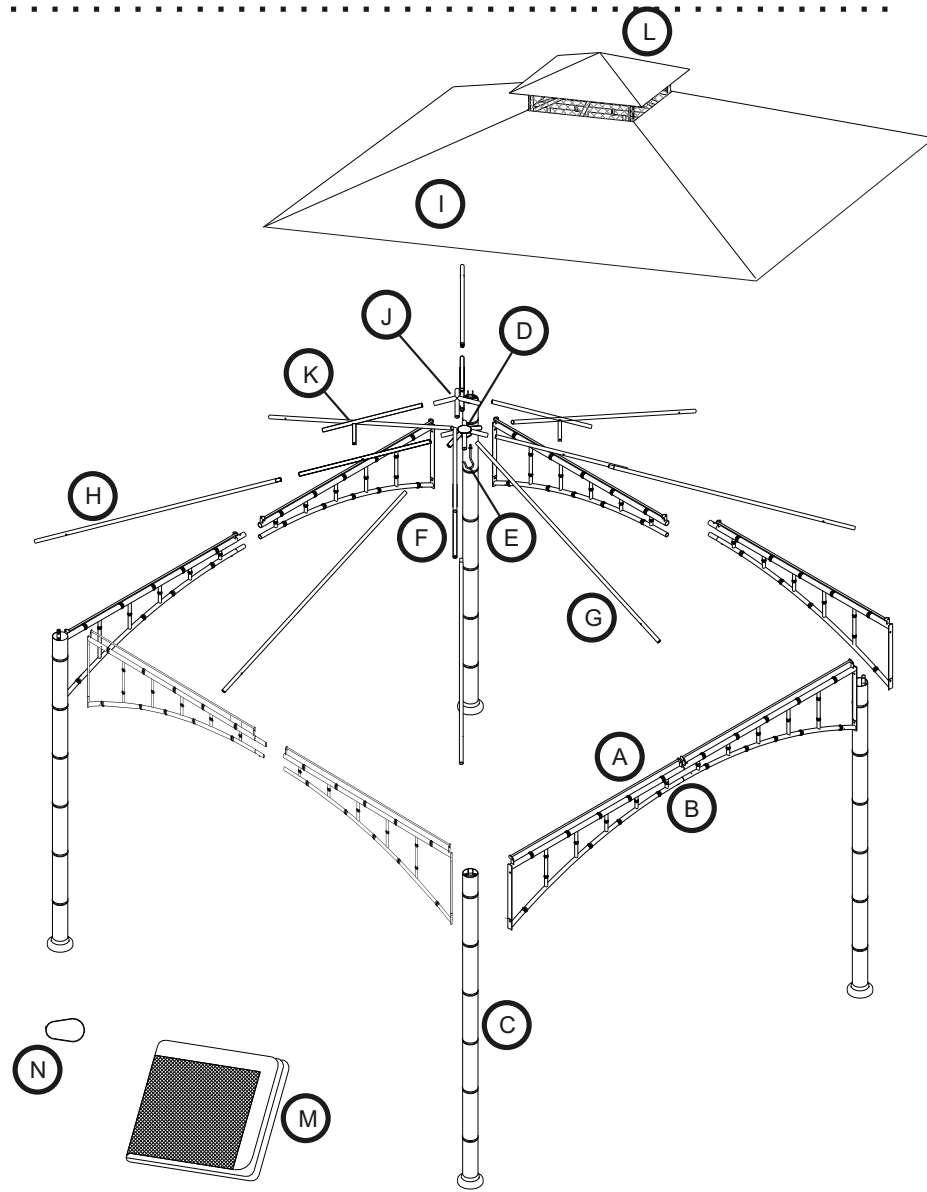
(H7) × 1
touch up paint



>>assembly instructions

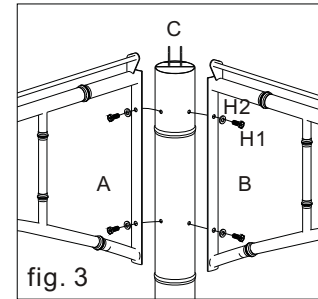
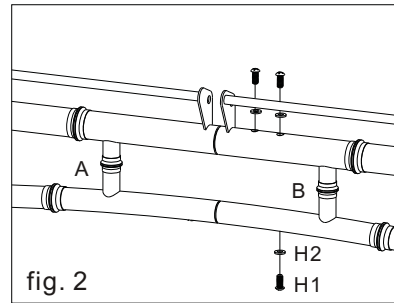
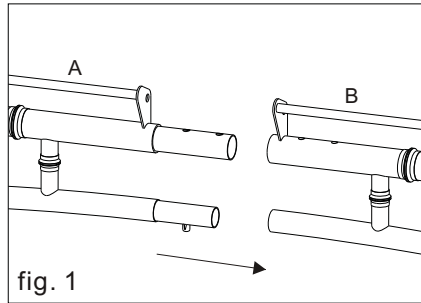
ITEM	DESCRIPTION	QUANTITY
------	-------------	----------

A	left frame	4
B	right frame	4
C	column	4
D	center fitting for the second roof	1
E	hook	1
F	short bar for the second roof	4
G	long bar for the second roof	4
H	medium bar for the second roof	4
I	canopy for the second roof	1
J	top center fitting	1
K	top roof connector	4
L	canopy for top roof	1
M	mosquito net	1
N	plastic ring for mosquito net	40



>>assembly instructions

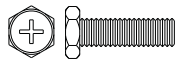
step 1.



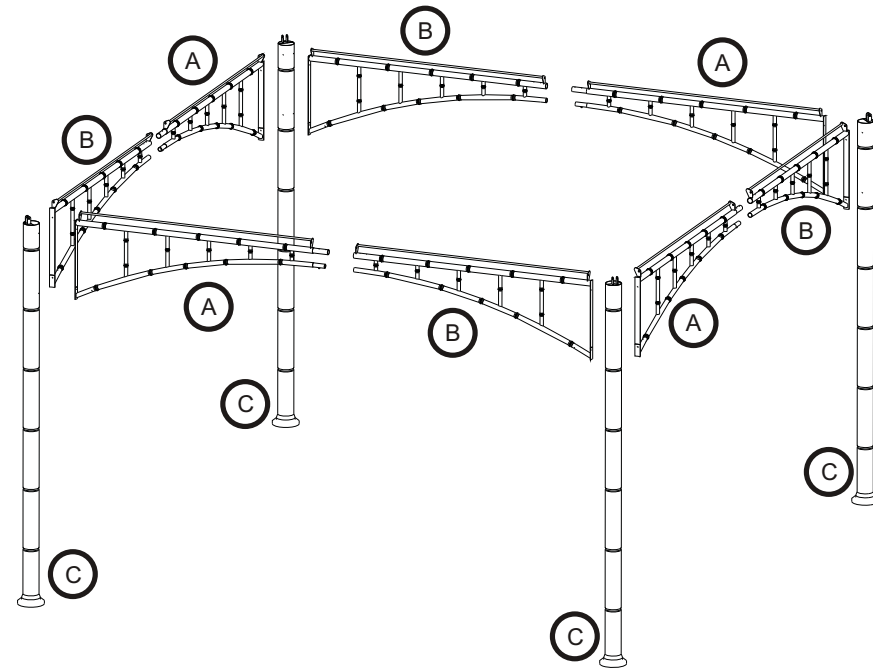
Attach the arches formed above onto four columns, using screws (H1) and washers (H2), to get a complete frame.

fig. 1, fig. 2: Insert each (A) into each (B) to form four arches for four sides all around, and secure them with screws (H1) and washers (H2).

(H1) × 28
M6 × 20 screw
(TBZ01406020HQ)

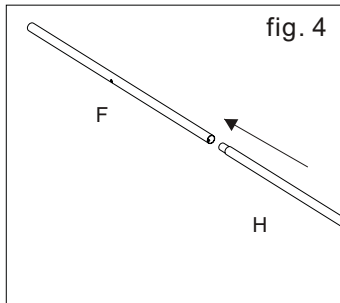


(H2) × 28
M6 flat washer
(TBZ10806HQ)

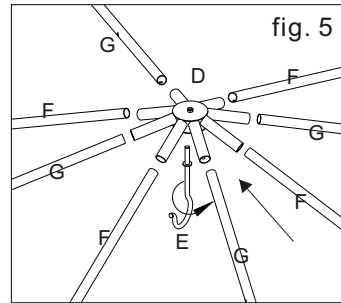


>>assembly instructions

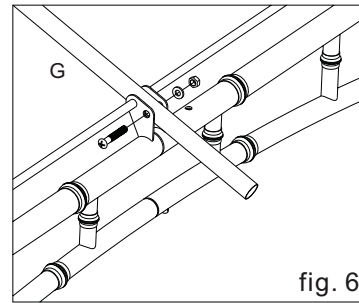
step 2.



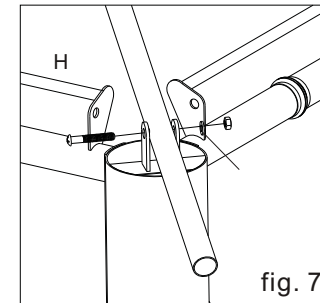
Insert (H) into (F).



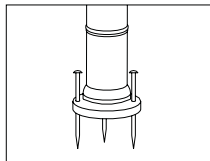
Screw (E) into (D) and insert (G) and (F) into (D) separately.



Connect the other end of (G) with the arches, using screws (H3), washers (H2) and nuts (H4) to secure.



Fix the other end of (H) with the posts, using screws (H3), washers (H2) and nuts (H4) to secure.



Warning: please peg the frame ground before going on to the next step. The next step will require a ladder.

(H3) × 8
M6 × 40 screw
(TBZ01406040HQ)

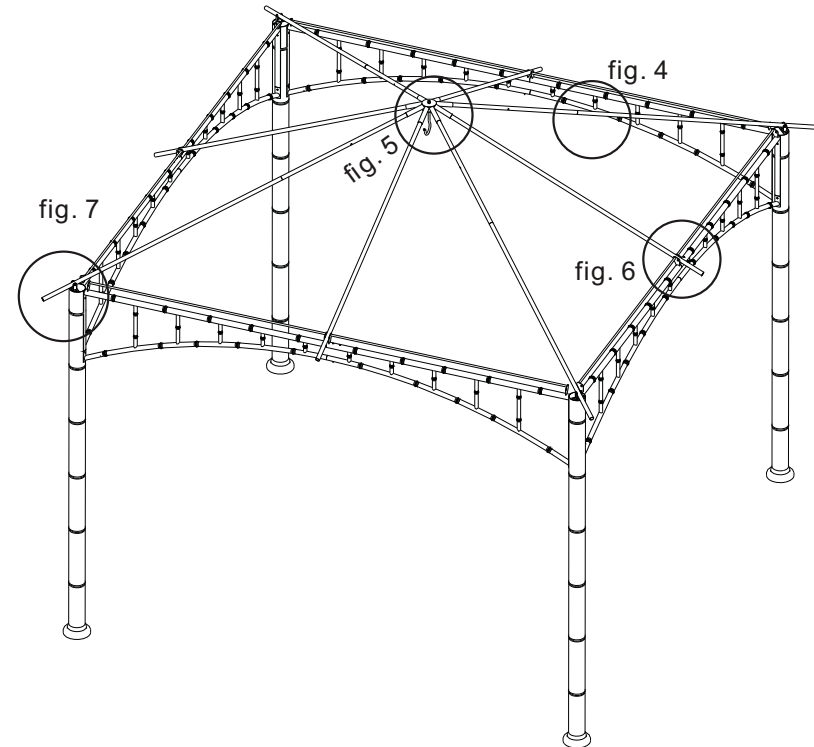
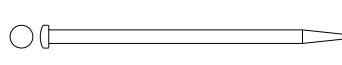
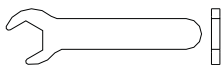
(H2) × 8
M6 flat washer
(TBZ10806HQ)

(H4) × 8
M6 nut
(TBZ20106HQ)



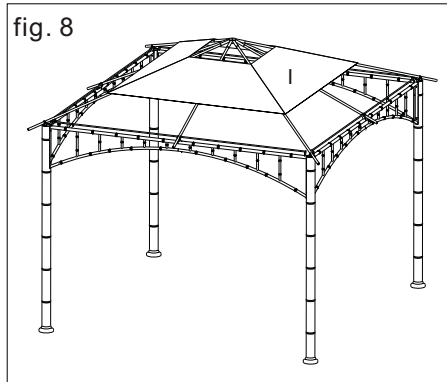
(H5) × 1
M6 wrench

(H6) × 12
peg
(TBZ10608180HQ)

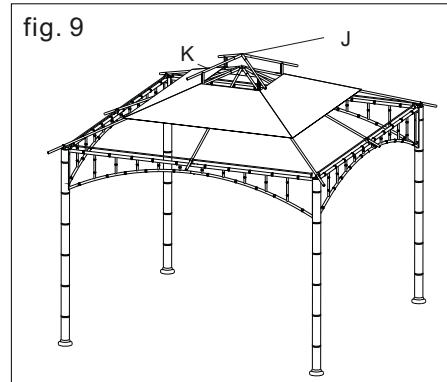


>>assembly instructions

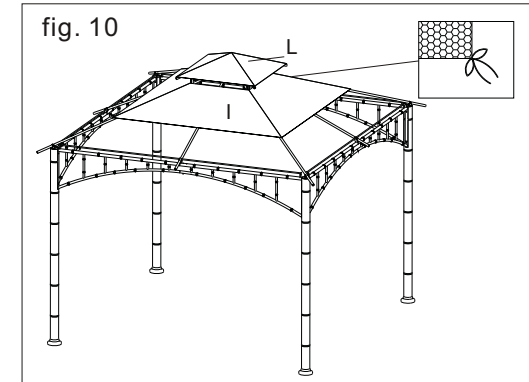
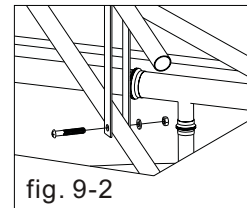
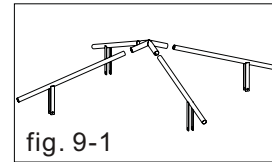
step 3.



put (I) onto the top roof. do not complete it here in order to assemble the second roof.



Insert (K) into (J), and then use screws (H1), washers BB and nuts (H3) to secure (K) and the bars on the second roof.



Complete fitting the top canopy (L). Tie the mosquito netting of canopy (I) and top canopy (L) together.

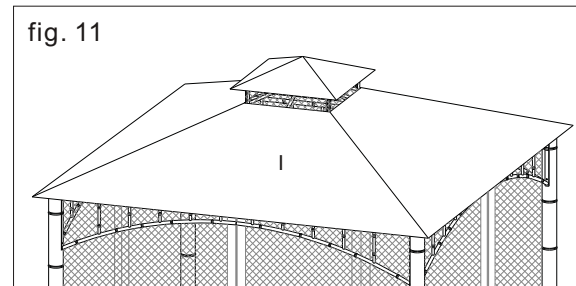
(H3) × 4
M6 × 40 screw
(TBZ01406040HQ)



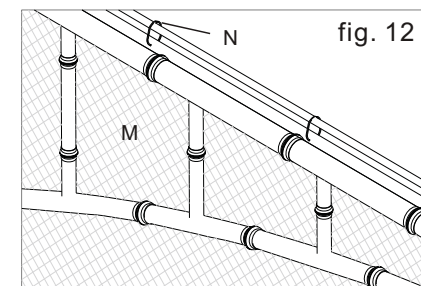
(H2) × 4
M6 flat washer
(TBZ10806HQ)



(H4) × 4
M6 nut
(TBZ20106HQ)



Fit the second canopy (I) completely.



Attach mosquito net (M) onto the round bars on (A) and (B), using (N).

>>assembly instructions

