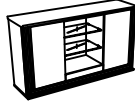




ASSEMBLY INSTRUCTIONS

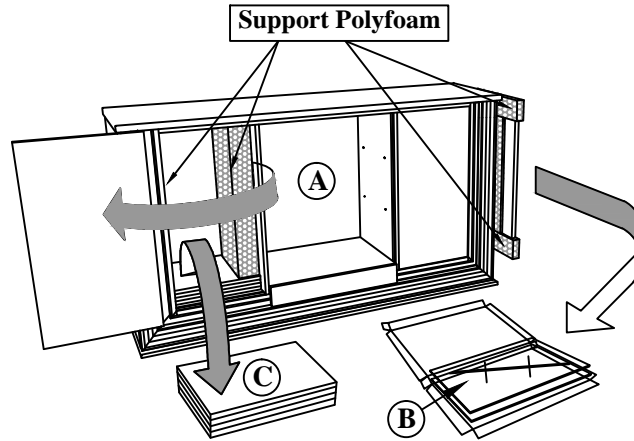
**MODEL : 7033A/7035A
YLIME BUFFET**

(BOX 1)

BOX OF 2 DOOR BUFFET

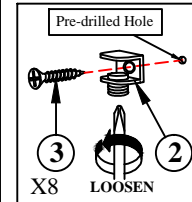
NO	ITEM	QTY
A	BUFFET 	1 PC
B	Tempered Glass Shelf 8mmx350mmx564mm 	2 PCS
C	Wooden Shelf 	4 PCS

STEP 1 : Remove the Glass Shelf (B) and Woodeb Shelf (C) from Buffet (A) as shown.

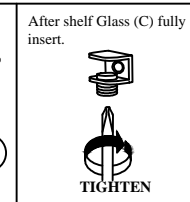


STEP 2 : Fixed the Glass holder (2) to the center section of Buffet (A) by following the pre-drilled hole provided . Secure with Csk Screw (3) and tighten them with Screw Driver(NOT PROVIDED).

STEP 2.1

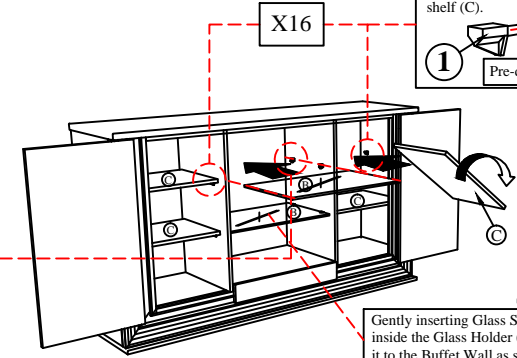


STEP 2.3



STEP 2.2

Insert the Pvc Shelf Support (1) to the pre drilled hole provided before place the wooden shelf (C).



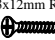



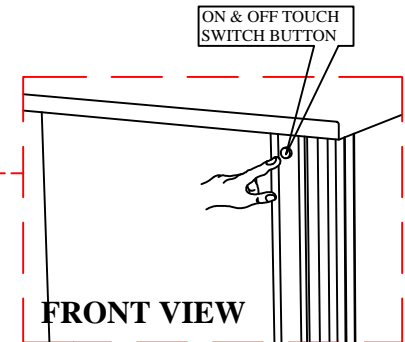
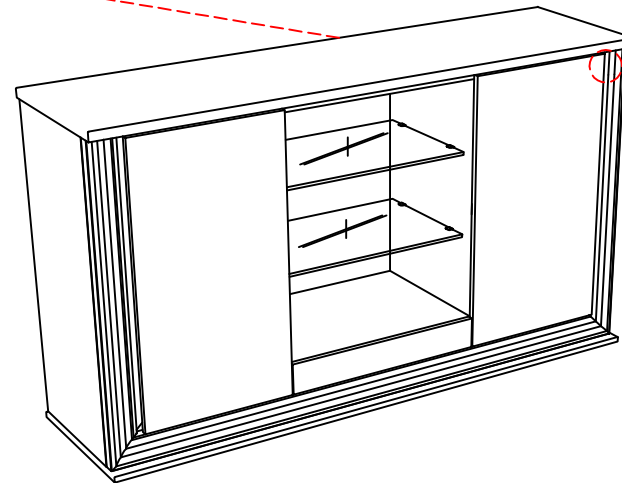
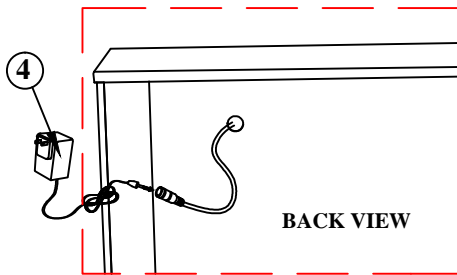
STEP 2.2

Gently inserting Glass Shelf (C) inside the Glass Holder (2) and push it to the Buffet Wall as shown.

(BOX 1)

HARDWARE LIST

No	ITEM	Qty
1	m5x16mm Pvc Shelf Support With Plastic Brw 	16 pcs
2	Shelf Glass Holder 	8 pcs
3	Flat Head Chipboard Screw m3x12mm Rbw 	8 pcs
4	12V+12W+1A Adaptor With ETL Certificate 	1 pc



COMPLETED ASSEMBLY

NOTE : MUST TIGHTEN SCREWS PERIODCALLY OR SCREWS WILL BECOME LOOSE.CHECK TIGHTNESS OF ALL SCREWS EVERY 6-8 WEEKS.