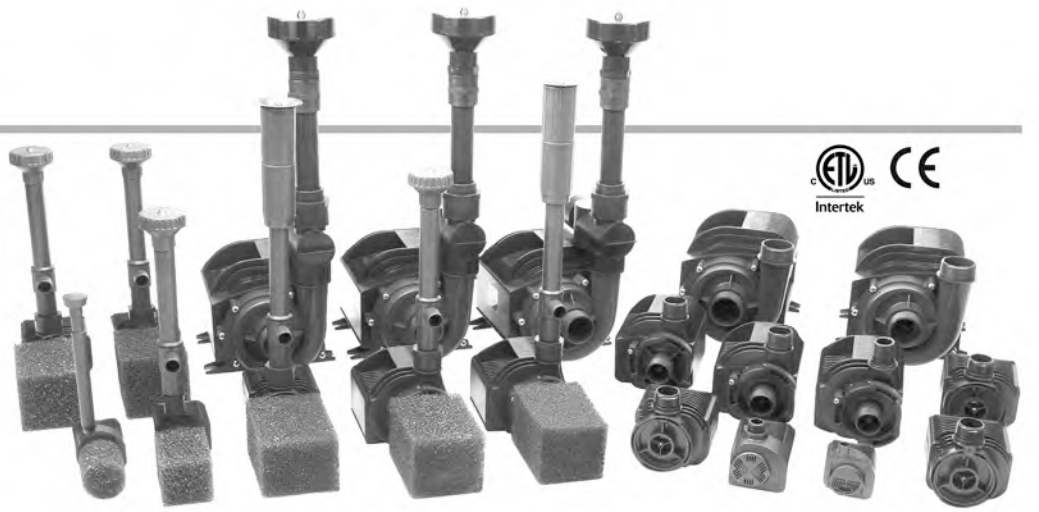


# LIFEGARD® Quiet One® Pumps INSTRUCTIONS

Models: **800, 1200, 2200, 3000, 4000, 5000, 6000, 9000, 14000 and 16000**



Quiet One® Pumps feature a patented system that provides high hydraulic performance with lower energy consumption.

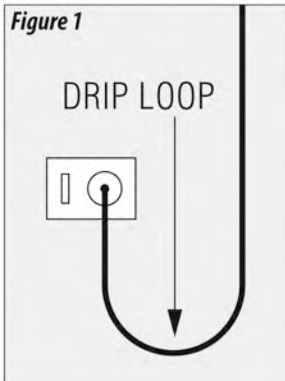
## IMPORTANT SAFETY INSTRUCTIONS

**WARNING:** To guard against injury, basic safety precautions should be observed, including the following.

### READ AND FOLLOW ALL SAFETY INSTRUCTIONS

**WARNING:** To avoid possible electric shock, special care should be taken since water is employed in the use of aquarium equipment. For each of the following situations, do not attempt repairs by yourself. Return the appliance to an authorized service facility for service or discard the appliance.

- CAUTION:** If the appliance shows any sign of abnormal water leakage, immediately unplug it from the power source.
- Carefully examine the appliance after installation. It should not be plugged in if there is water on parts not intended to be wet.
- Do not operate any appliance if it has a damaged cord or plug, or if it doesn't work properly or has been dropped or damaged in any manner.
- To avoid the possibility of the appliance plug or receptacle getting wet, position the aquarium stand, tank or the fountain to one side of a wall-mounted receptacle to prevent water from dripping onto the receptacle or plug. A "drip-loop" (fig. 1) should be arranged by the user for each cord connecting an aquarium appliance to a receptacle. The "drip-loop" is the part of the cord below the level of the receptacle or the connector if an extension cord is used, which prevents water travelling along the cord and coming in contact with the receptacle. If the plug or socket does get wet, DON'T unplug the cord. Disconnect the fuse or circuit breaker that supplies power to appliance. Then unplug and examine for presence of water in the receptacle.
- Close supervision is necessary when any appliance is used by near children.
- To avoid injury, do not contact moving parts or hot parts such as heaters, reflectors, lamp bulbs and similar.
- Always unplug the appliance from the outlet when not in use, before putting on or taking off parts and before cleaning. Never yank cord to pull plug from outlet. Grasp the plug and pull to disconnect.
- Do not use the appliance for other than intended use. The use of attachments, not recommended or sold by the manufacturer of the appliance, may cause an unsafe condition.
- Do not install or store the appliance where it will be exposed to the weather or to temperatures below freezing.
- Make sure the appliance is installed and mounted securely before operating it.
- Read and observe all the important notices regarding the installation and operation procedures.
- If an extension cord is necessary, a cord with a proper rating should be used. A cord rated for less amperes or watts than the appliance rating may over heat and cause a safety hazard. Care should be taken to arrange the cord so that it will not be tripped over or pulled.
- This appliance has a polarized plug (one blade is wider than other). As a safety feature, this plug will fit in a polarized outlet only one way. If the plug does not fit fully in the outlet, reverse the plug. If it still does not fit, contact a qualified electrician. Never use with an extension cord unless the plug can be fully inserted. Do not attempt to circumvent this safety feature.



**CAUTION:** Appliance must be connected to a circuit that is protected by a Ground Fault Circuit Interrupter.

**WARNING:** To reduce the risk of electric shock, use only on portable self-contained fountains no larger than 5 feet in any dimension.

### SAVE THESE INSTRUCTIONS

## INSTALLATION:

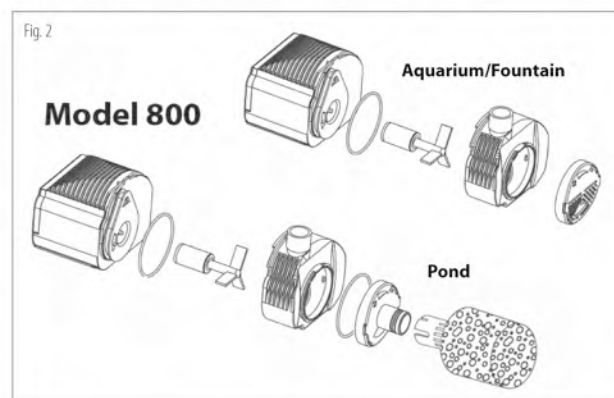
Models: **800, 1200, 2200, 3000, 4000, 5000 & 6000** (see "Pond section")

### AQUARIUMS / FOUNTAINS:

Position the aquarium and stand to one side of a wall mounted receptacle to avoid the possibility of water dripping onto the receptacle or plug. Install a "drip loop" with the cord.

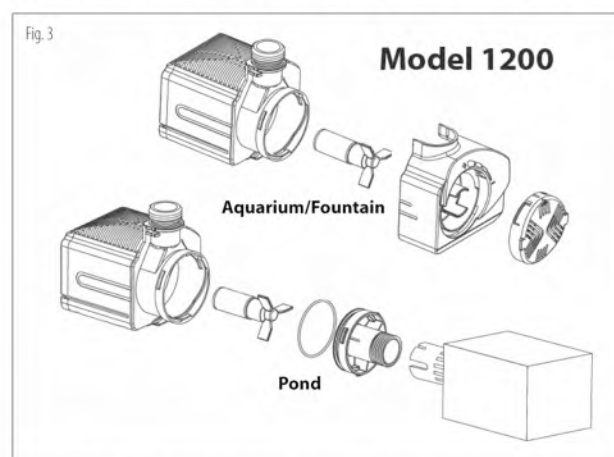
#### Model 800

The water flow rate is adjustable by means of the Flow Control Dial A (Fig.2). The pump can be connected with 1/2" fittings and accessories.



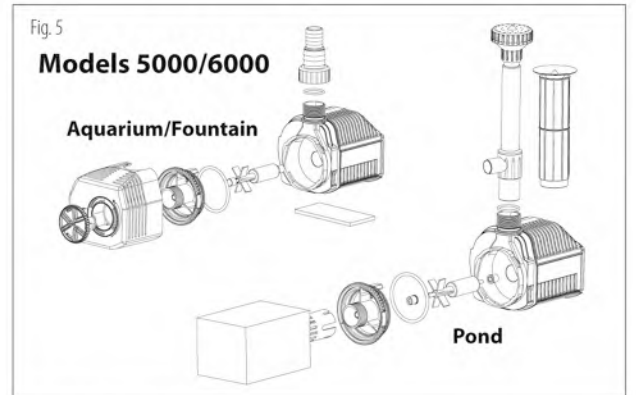
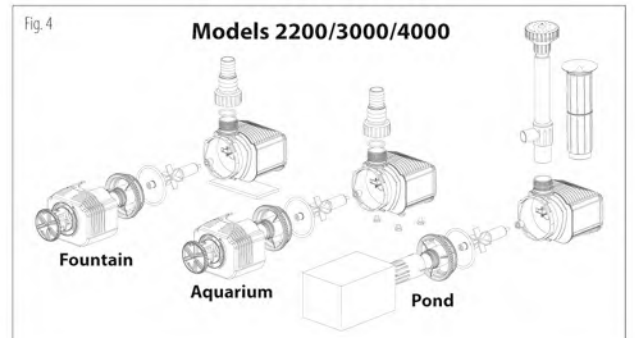
#### Model 1200 version with submersible front housing

The pump can be connected with 1/2" fittings and accessories on the output side. The front housing with Flow Control Dial A (Fig.3) is used in submersible applications and allows for variation of the flow rate and head of the pump.



#### Models 1200-2200-3000-4000-5000-6000 version with long pre-chamber.

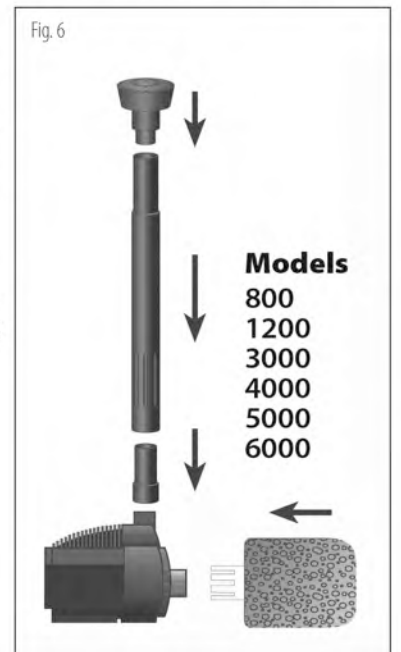
Model 1200 = 1/2", Models 3000-4000-5000-6000 = 1". The threads are standard MPT and can be used with a vast range of fittings and accessories. (Fig.4 and 5)



## PONDS:

Slide the strainer onto the pre-chamber, then place the sponge in position on strainer. Choose desired spray attachment and position on telescopic tube.

Screw telescopic tube onto pump. Place pump in pond on a flat surface away from over populated plant area. Regulate the tube's height so the jet spray is always over the water surface. Unwind electric cable and place in area where it cannot be damaged. When pump is functioning, you can regulate the dimensions of spray using the diverter valve on the telescopic tube.



## INSTALLATION:

Models: **9000, 14000, & 16000**

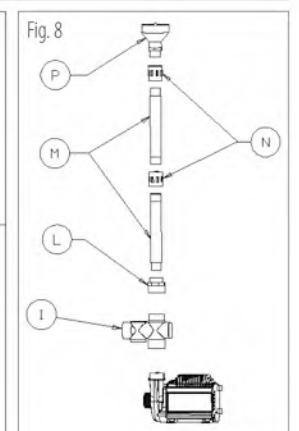
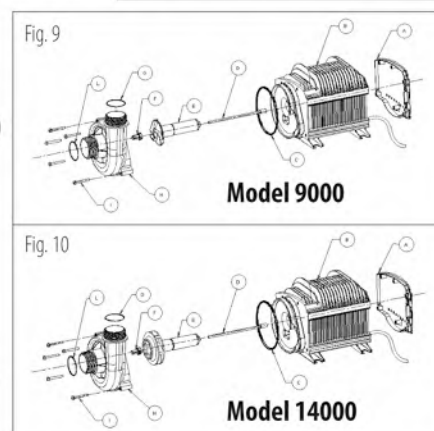
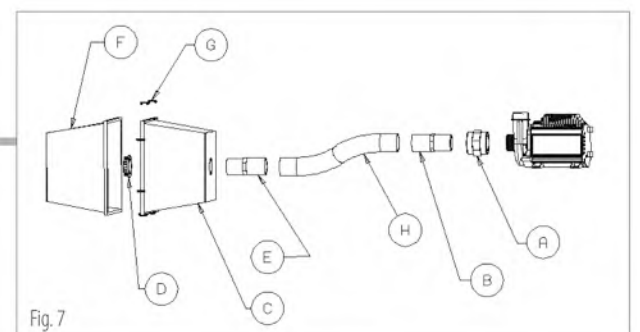
Position the pump, taking care that the cable is in an area where it cannot be damaged. The pump may be secured with screws through the special brackets situated on the bottom of the pump itself. The pump is threaded both on suction and output, with a 1 1/2" thread. The thread is a standard MPT and allows use of a vast range of standard fittings and accessories.

### POND Models 9000-14000-16000 Filter Basket

Fit the filter basket supplied (Fig.7) following the sequence indicated:  
• Screw the coupling A (1 1/2") to the output of the pump, then screw the hose adapter B (1 1/2") onto the coupling. • Screw the nut D (1 1/2") and the hose adapter (1 1/2") through the hole in the prefilter basket C and then close the 2 sections of the prefilter basket (C & F) using the special hooks G provided (8 pcs). • Connect the flexible hose H (1 1/2") to the hose adapter on the pump and on the prefilter basket.

### Water plays

Install the water play as in the drawing (Fig.8). • Fix the diverter "T"-valve flow adjuster I (1 1/2") to the delivery of the pump, then screw on in succession the sleeve L (from 1 1/2" to 1"), the pipe M (1"), the sleeve N (1"), the second pipe M (1"), the second sleeve N and finally the jet nozzle P.



## POND MODEL 14000 REMOTE

### Receiving antenna

Install the external receiving antenna of the pump as follows: • Insert the antenna cable in the telescopic antenna holding tube provided, as indicated in (Fig.9) • Insert the antenna holding tube in the special support in the rear part of the pump, (Fig.10)



### IMPORTANT

The antenna cable must extend at least 8" (20 cm) above the level of the water by regulating the height of the telescopic antenna holding tube.

### R.F. transmitter

In the POND-REMOTE version the pump functions are managed at a distance by the R.F. transmitter (Fig.11). Once pump installation has been completed, insert the battery in the R.F. transmitter (12V).



### Key Symbol Function

- 1 + 4 ON/OFF (press at the same time to turn pump ON or OFF)
- 1 + + Speed (increase speed and flow rate)
- 4 - - Speed (decrease speed and flow rate)
- 2 WP Water Play
- 3 TIMER Timer

### Starting / stopping the pump.

- ◆ The pump is started by pressing the keys "1" and "4" simultaneously for about 2 seconds.
- ◆ The pump is stopped by repeating the operation described above.

### Increasing / decreasing the speed and flow rate.

- ◆ When the button "1" is pressed the pump increases the speed and flow rate.
- ◆ When the button "4" is pressed the pump decreases the speed and flow rate.

### Water Play Features

- ◆ When the button "WP" is pressed only once, Water Play Feature No. 1 starts. The jet of water grows to its maximum height, remains in position for about 2 seconds, and then falls to the minimum value and remains there for about 2 seconds. The sequence is repeated cyclically until it is changed.
- ◆ When the button "WP" is pressed a second time, Water Play Feature No. 2 starts. The jet of water grows to its maximum height, stops for a few instants, falls rapidly to about 1/4, rises to about 3/4 and pauses for a few instants, falls again rapidly to about 1/4 and returns to maximum height. The sequence is repeated cyclically until it is changed.
- ◆ When the button "WP" is pressed a third time, Water Play Feature No. 3 starts. The jet of water rises to about 1/4 of its height, falls to minimum, rises again to about 1/2, falls again to about 1/4, rises to about 3/4, falls again to 1/2, returns to maximum level then falls to "zero" level. The sequence is repeated cyclically until it is changed.

**Note:** The passage to the various water plays is sequential and progressive. Whenever the "WP" key is pressed you move on to the next play, WP1-WP2-WP3-WP1-WP2, etc. e.g. To pass from WP3 to WP2 you must pass through WP1 and not the reverse.

### Timer

The time management system is represented in 8 hour fixed modules that are already programmed as follows:

- a. The pump is supplied already programmed in "ON" function (at 50% of its power). When it is connected to the electric outlet, the pump starts automatically in the condition described.
- b. When the button "3" is pressed only once (for about 2 seconds), the pump works for 8 hours in "ON" and 16 hours in "OFF".
- c. When the button "3" is pressed a second time (for about 2 seconds), the pump works for 16 hours in "ON" and 8 hours in "OFF".
- d. When the button is pressed again, the pump returns to the initial "ON" function. **Note:** In the event of a black-out or disconnection from the power outlet, the pump always starts again in the "ON" position described in point "a".

To start the pump you must always repeat the programming of the desired functions.

### IMPORTANT!!!!

- ◆ The indication that the signal has been transmitted to the pump is visibly shown by the jet of water which falls to minimum level for a few seconds.
- ◆ To change the set program it is necessary to turn the pump "OFF" and then input the desired program.
- ◆ FOR SAFETY REASONS IF THE MOTOR IS BLOCKED, THE PUMP IS PROGRAMMED TO MAKE UP TO 20 ATTEMPTED STARTS, THEN IT STOPS. TO RESET STARTING, YOU MUST SWITCH OFF THE POWER SUPPLY TO THE PUMP AND THEN SWITCH IT ON AGAIN.

## PUMP MAINTENANCE:

### Trouble Shooting

If pump should stop working first check for the following:

1. **SHAFT BREAKAGE:** Open the pump and check if shaft is damaged or broken. Replace "ceramic shaft" if needed.
2. **DIRTY ROTOR:** Sand, calcium or debris can cause stoppage. Open the pump and check for fragments of sand or debris. If so, disassemble rotor and rinse with fresh water. If a white film of calcium remains, rinse with vinegar, lemon or any liquid suitable for removing calcium from solid surfaces that is also non toxic to fish and plants.
3. **NOISY PUMP:** Open the pump and check if debris has clogged the rotor. If no obstructions are causing the noise, replace the impeller assembly and shaft.

## SERVICING: Quiet One® 800 - 1200 series Pump

1. Completely disconnect the pump from your system and the power outlet.



2. Remove the gray front housing by squeezing it and pull it out from the bottom groove, then gently pull up and out to clear the securing tab on the top of the pump.

3. Pull the **impeller** straight out of the impeller and **steel shaft**.

4. Clean the pump and impeller chamber, as well as the **impeller**. Check the **steel shaft** for signs of rust or if it wiggles or comes out of the pump. Lubricate the **impeller** and **steel shaft** using silicone lubricant.

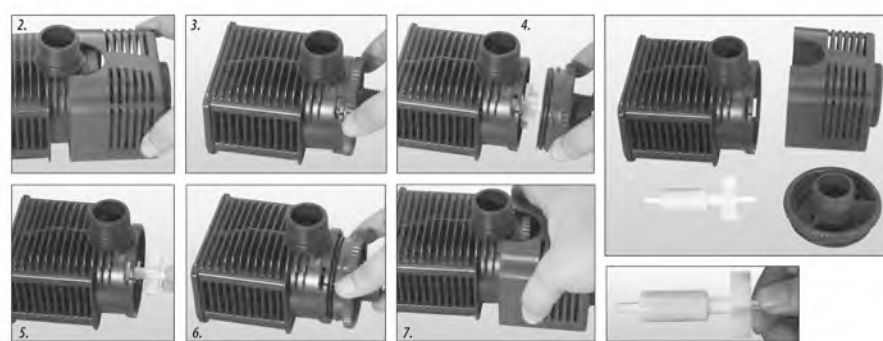
5. Re-insert the **impeller** into the impeller chamber, then replace the gray housing, making sure it fits into the securing tabs.

## SERVICING: Quiet One® 2200 - 3000 - 4000 series Pump

1. Completely disconnect the pump from your system and the power outlet.

2. Remove the gray front housing by gently squeezing the sides and pulling out until it comes off.

3. Twist the gray **volute** counter-clockwise until it slips out of the grooves, then pull it straight out.



4. Remove the **impeller/ceramic shaft** assembly from inside the pump and examine it for signs of damage. Inspect the inside of the impeller chamber to make sure there isn't any warping or grinding. Severe damage to the inside of the impeller chamber can be caused by lack of maintenance or an instance of dry-running, and can void the warranty. Apply silicone lubricant to both ends of the ceramic shaft, to ensure optimal performance and smooth running.

5. Insert the **impeller/ceramic shaft** assembly back into the impeller chamber.

6. Return the **volute** to its original position by fitting it into the securing grooves and twisting clockwise.

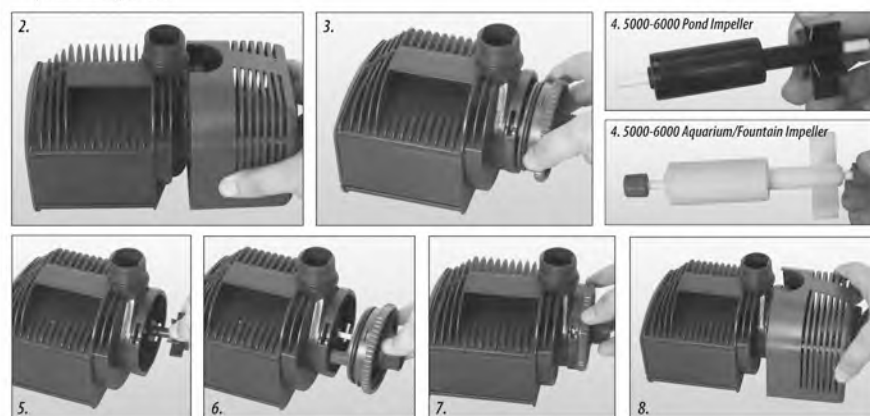
7. Replace the front housing by gently squeezing the sides and pushing it straight in.

## SERVICING: Quiet One® 5000 - 6000 series Pump

1. Completely disconnect the pump from your system and the power outlet.

2. Remove the gray front housing by gently squeezing the sides and pulling out until it comes off.

3. Twist the gray **volute** counter-clockwise until it slips out of the grooves, then pull it straight out.



4. Remove the **impeller/ceramic shaft** assembly from inside the pump and examine it for signs of damage. Inspect the inside of the impeller chamber to make sure there isn't any warping or grinding. Severe damage to the inside of the impeller chamber can be caused by lack of maintenance or an instance of dry-running, and can void the warranty. Apply silicone lubricant to both ends of the ceramic shaft, to ensure optimal performance and smooth running.

5. Insert the **impeller/ceramic shaft** assembly back into the impeller chamber.

6. Return the **volute** to its original position by fitting it into the securing grooves and twisting clockwise.

7. Replace the front housing by gently squeezing the sides and pushing it straight in.

## SERVICING: Quiet One® 9000 - 14000 - 16000 series Pump

1. Completely disconnect the pump from your system from the power outlet.

2. Clean the inside chambers of all buildup and algae, and check the inside of the impeller chamber with your finger to see if any grinding or warping.

3. Separate the **Impeller** and **Rubber Gasket** from the ceramic shaft and check all parts for cracks, chips, or any type of damage. The plastic moving parts of the impeller should be able to turn half a turn both clockwise and

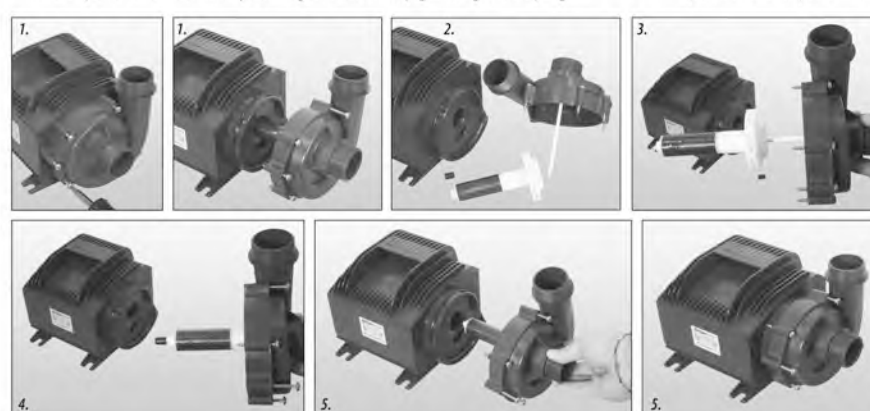
Severe damage to the inside of the impeller chamber results from lack of maintenance or dry-running, and can void the warranty.

3. Separate the **Impeller** and **Rubber Gasket** from the ceramic shaft and check all parts for cracks, chips, or any type of damage. The plastic moving parts of the impeller should be able to turn half a turn both clockwise and

counterclockwise before locking and being unable to turn farther. If it turns freely without locking, the impeller is broken.

4. Apply silicone lubricant to all moving parts (plastic spinning parts on the impeller and inside the impeller, where the ceramic shaft is inserted). Allow the lubricant to properly seep in and cover all moving surfaces. Also apply silicone lubricant to the rubber **O-Ring** on the volute.

5. Reassemble and close pump.



## Warranty Policy

- ◆ Warranty period starts from date of purchase and must be validated with copy of original purchase receipt.
- ◆ Warranty requests by phone will not be honored.
- ◆ Warranty items returned without copy of original purchase receipt will not be honored.
- ◆ Products purchased from eBay, Craig's List, etc. cannot be honored for warranty unless returned by original purchaser with proof of purchase.
- ◆ All items must first be returned to Lifegard Aquatics for inspection, evaluation, and processing to determine if product qualifies for warranty replacement or repair. No warranty (repair, replacement, or credit) will be issued prior to inspection of product. **Please contact us first for warranty assistance.** Many times the product can be repaired without the cost and time involved in sending it back to us. If absolutely necessary, return product **freight prepaid** to the following address for warranty evaluation and processing.

Lifegard Aquatics, 13911 Struikman Road, Cerritos, CA 90703,

Tel (562)404-4129 Fax (562)404-4159 Email: info@lifegardaquatics.com

◆ 3 year warranty from date of purchase on **Quiet One Pump Motors Only.**

◆ 60 day warranty from date of purchase on **Shafts and Impellers for All Types of Pumps.**



13911 Struikman Road, Cerritos, CA 90703,

Tel (562)404-4129 Fax (562)404-4159 Email: info@lifegardaquatics.com