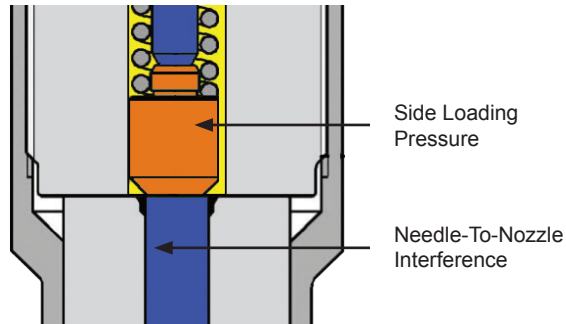


## Nozzles For Dodge 5.9L Common Rail Injectors Original + New DGV Style

**DIPACO**  
**DIESEL**  
**PARTS**  
**U S A**

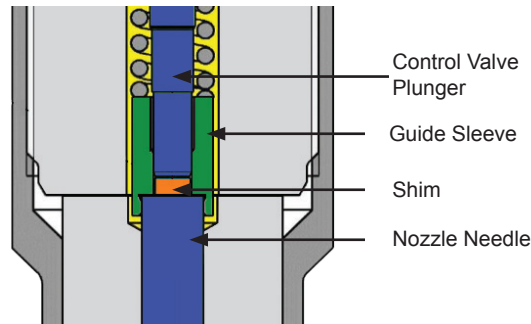
DTech remanufactured Dodge 5.9L common rail injectors incorporate the latest OE improvements to the nozzle design. For more information on the injectors please see DIPACO Product Information Bulletin FI-270. The significant change in the injectors a new stator and the use of a guide sleeve "DGV" nozzle.



Original OE Nozzle Design

With the original OE nozzle design the intermediate pin is subject to side loading pressure which can cause interference between the nozzle needle and nozzle body. This interference causes:

- Poor injector response
- Nozzle scoring
- Fuel delivery issues
- Engine misfire
- Smoking
- Premature injector failure.



Updated DGV Nozzle Design

The new "DGV" design introduces a guide sleeve which keeps the control valve plunger, lift shim and needle in alignment.

The second drawing above shows the guide sleeve (green), which extends from inside the nozzle body, keeping the nozzle needle, lift shim and control valve plunger in alignment; eliminating the side loading effects on injector operation.

DIPACO Diesel Parts now has both styles of nozzle available. Following are DIPACO nozzle part numbers and style:

RTF0433175309 (2003 - 2004.5) Original Style  
RTF0433175519 (2003 - 2004.5) DGV Style  
RTF0433175470 (2004.5 - 2007) Original Style  
RTF0433175516 (2004.5 - 2007) DGV Style

*An Employee Owned Company*

12693 Old Virginia Road  
Reno, NV 89521  
800.648.4720

DIPACODTECH.com

The original style nozzle should be used in injectors with the original control valve and intermediate pin styles. To get the benefits of the DGV style nozzle in an original style injector you need to upgrade / add a guide sleeve, intermediate pin and control valve assembly.

*(Continued on back side.)*

*(Continued from front side.)*

**Additional Resources**

**Product Information Bulletins:**

**FI-297** - Remanufactured Injectors For Dodge 5.9L Common Rail

**FI-270** - Improvements In DTech Remanufactured Injectors For Dodge 5.9L Common Rail