

FEATURES

Features may vary depending on model and design considerations.

STRAP POCkEwT straddles your camera's strap lug and enhances

CONNECTION PORT CLEARANCE permits the opening of port doors and allows clearance for camera tethering cables.

CENTERING INDEX MARKS indicate the center axis of the lens.

CAPTIVE MOUNTING SCREW is used to attach the L-plate to the camera. The mounting hole or slot accepts a custom RRS mounting screw (installed; use hex key to tighten).

ANTI-TWIST FLANGES hug the contour of your camera to prevent twisting.

STRAP LUG provides anchor point for optional neck or hand strap.

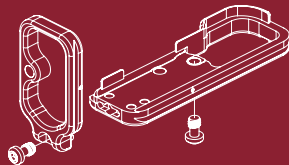
QUICK-DETACH (QD) SOCKET

ACCESSORY SOCKET

(UNDERSIDE VIEW)

MODULAR L-PLATES

have two pieces; base can be used alone or add L-component to create robust L-plate.

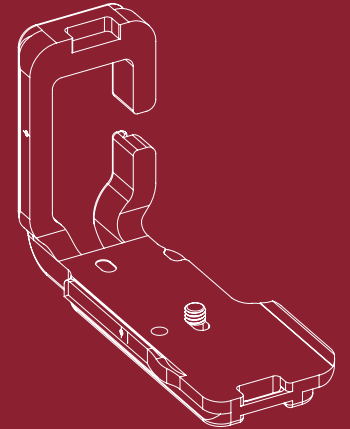


GUARANTEE

All Really Right Stuff Brand Products are guaranteed to the original purchaser to be free of defects in materials or workmanship for 5 years from the date of purchase. **Products will be repaired or replaced at our option.**

REALLY RIGHT STUFF

720 S 850 E Lehi, UT 84043
1-385-248-0777 | 1-888-777-5557
www.ReallyRightStuff.com

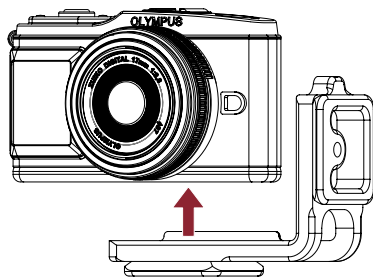


L-PLATES
VARIOUS MODELS

© 1990-2019 Really Right Stuff, LLC. All rights reserved.



INSTALLATION



Looking at the front of the camera, place the vertical dovetail on the **RIGHT SIDE**. Then, firmly tighten the mounting screw.

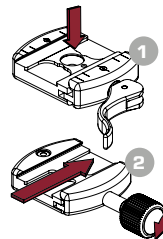
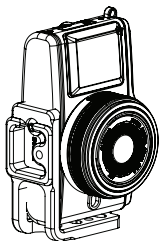
MOUNTING

1 LEVER-RELEASE CLAMP

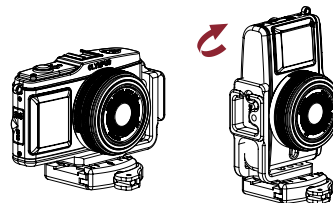
1. **OPEN** the lever to fully-open position and top load your gear.
2. **CLOSE** lever halfway shut and plate can still be shifted for final positioning.
3. **CLOSE** lever shut to lock plate in place.

2 SCREW-KNOB CLAMP

1. You may top-load or side-load your gear, but side-loading is faster.
2. To release, **TURN KNOB** counterclockwise one-half turn and slide your gear out of the clamp.



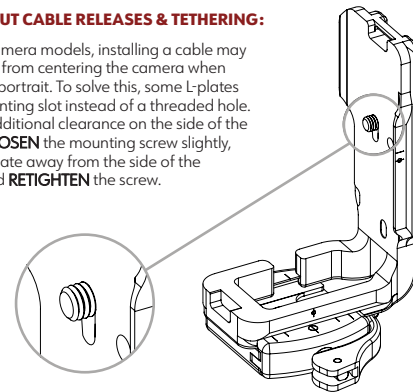
PORTRAIT MODE



Switching back and forth from landscape to orientation is a snap with your RRS L-plate.

NOTE ABOUT CABLE RELEASES & TETHERING:

On some camera models, installing a cable may prevent you from centering the camera when shooting in portrait. To solve this, some L-plates have a mounting slot instead of a threaded hole. To create additional clearance on the side of the camera, **LOOSEN** the mounting screw slightly, **SLIDE** the plate away from the side of the camera, and **RETIGHTEN** the screw.



⚠ USING THE QD SOCKET ⚠

Our QD socket accepts **industry standard** push-button QD mounts. The QD socket must be kept free of dirt or grit to allow the QD mount to fully seat and snap into the socket. **Always check that QD mount on your strap/swivel is fully seated and completely engaged before use.**