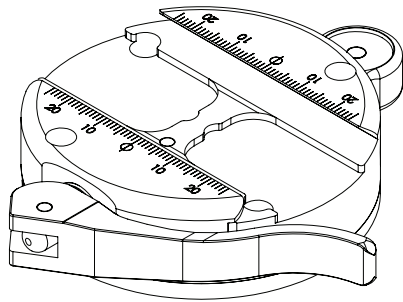




Really Right Stuff®

1146 Farmhouse Lane, San Luis Obispo, CA 93401 USA
1-805-528-6321 | 1-888-777-5557
www.ReallyRightStuff.com

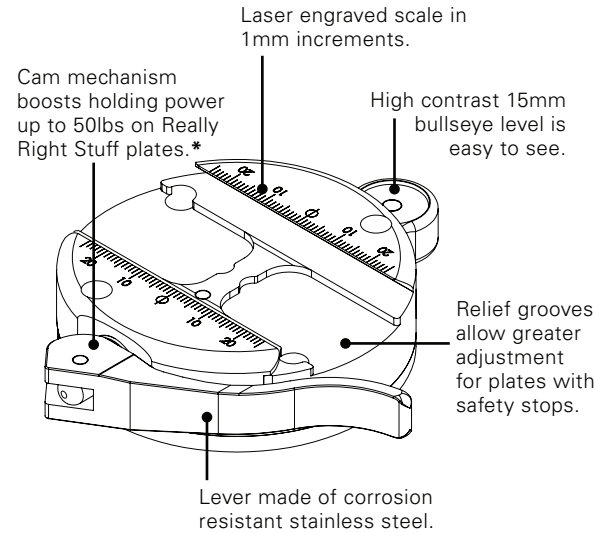
TA-LBC LEVELING BASE CLAMP



SPECIFICATIONS

Weight.....5.3 oz (150g)
Bullseye Level.....15mm
Material.....Anodized 6061-T6 aluminum
TA-LBC comes with four cap head 6-32x3/8" stainless steel screws and one each 5/64" hex key and 7/64" hex key.

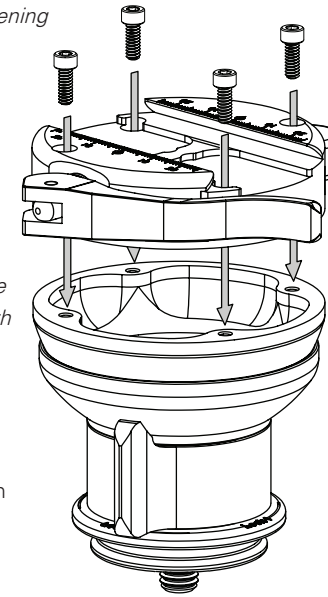
KEY FEATURES



* Lever-Release Clamp is self-adjusting. Accepts all Arca-Swiss style plates except Arca-Swiss P0 Slidefix and plates made by Novoflex.

Install to Versa Series 2 Leveling Base

1. To remove platform, use 5/64" hex key to remove all four screws. Lift platform off. *NOTE: Medium-strength thread locking compound was applied to screw threads to prevent accidental loosening. Expect some resistance when loosening/tightening screws.*
2. Align mounting holes in TA-LBC with top of leveling base. *NOTE: You will have to partially open clamp jaw in order to properly align the hole in the moving jaw with the mounting hole underneath.*
3. Using replacement screws and 7/64" hex key, install and tighten screws.



MAINTENANCE

General Care

The leveling base and clamp are anodized to protect against corrosion and mild abrasion. It will not protect the leveling base and clamp from scraping or dropping on rocks/concrete/etc. Take precautions to prevent your leveling base and clamp from getting fouled in mud, dirt, or sand.

Cleaning

Lightly rinse mud or salt water under a gentle stream of fresh water, then thoroughly dry.

Lubrication

NO LUBRICATION IS REQUIRED BY THE USER. Just keep the components free from contamination to maintain smooth action.

GUARANTEE

ALL REALLY RIGHT STUFF BRAND PRODUCTS ARE GUARANTEED TO THE ORIGINAL PURCHASER TO BE FREE OF DEFECTS IN MATERIALS OR WORKMANSHIP FOR FIVE (5) YEARS FROM THE DATE OF PURCHASE. PRODUCTS WILL BE REPAIRED OR REPLACED AT OUR OPTION.

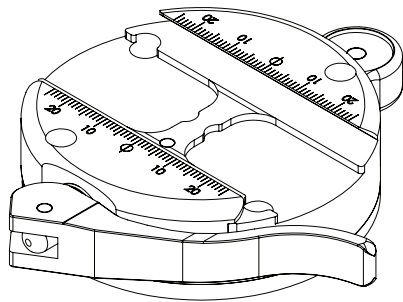
®, ™, © 2013 Really Right Stuff, LLC. All rights reserved.



Really Right Stuff®

1146 Farmhouse Lane, San Luis Obispo, CA 93401 USA
1-805-528-6321 | 1-888-777-5557
www.ReallyRightStuff.com

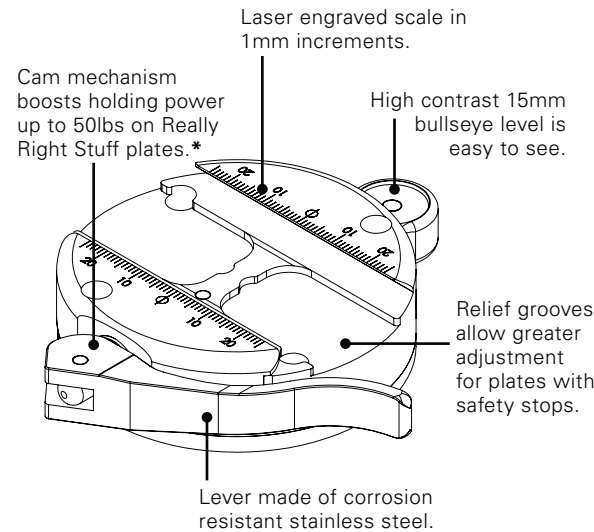
TA-LBC LEVELING BASE CLAMP



SPECIFICATIONS

Weight.....5.3 oz (150g)
Bullseye Level.....15mm
Material.....Anodized 6061-T6 aluminum
TA-LBC comes with four cap head 6-32x3/8" stainless steel screws and one each 5/64" hex key and 7/64" hex key.

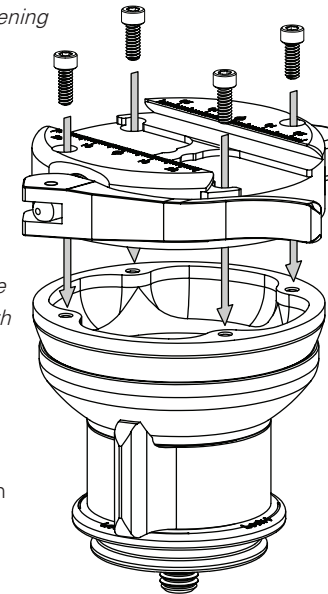
KEY FEATURES



* Lever-Release Clamp is self-adjusting. Accepts all Arca-Swiss style plates except Arca-Swiss P0 Slidefix and plates made by Novoflex.

Install to Versa Series 2 Leveling Base

1. To remove platform, use 5/64" hex key to remove all four screws. Lift platform off. *NOTE: Medium-strength thread locking compound was applied to screw threads to prevent accidental loosening. Expect some resistance when loosening/tightening screws.*
2. Align mounting holes in TA-LBC with top of leveling base. *NOTE: You will have to partially open clamp jaw in order to properly align the hole in the moving jaw with the mounting hole underneath.*
3. Using replacement screws and 7/64" hex key, install and tighten screws.



MAINTENANCE

General Care

The leveling base and clamp are anodized to protect against corrosion and mild abrasion. It will not protect the leveling base and clamp from scraping or dropping on rocks/concrete/etc. Take precautions to prevent your leveling base and clamp from getting fouled in mud, dirt, or sand.

Cleaning

Lightly rinse mud or salt water under a gentle stream of fresh water, then thoroughly dry.

Lubrication

NO LUBRICATION IS REQUIRED BY THE USER. Just keep the components free from contamination to maintain smooth action.

GUARANTEE

ALL REALLY RIGHT STUFF BRAND PRODUCTS ARE GUARANTEED TO THE ORIGINAL PURCHASER TO BE FREE OF DEFECTS IN MATERIALS OR WORKMANSHIP FOR FIVE (5) YEARS FROM THE DATE OF PURCHASE. PRODUCTS WILL BE REPAIRED OR REPLACED AT OUR OPTION.

®, ™, © 2013 Really Right Stuff, LLC. All rights reserved.

Install to Versa Series 3 Leveling Base

1. To remove platform, use $\frac{5}{64}$ " hex key to remove all four screws. *NOTE: Medium-strength thread locking compound was applied to screw threads to prevent accidental loosening. Expect some resistance when loosening screws.*



2. Remove platform; stud will remain in place.



3. During assembly of the leveling base, stud was installed using permanent threadlocker fluid. Removal of the stud requires using a propane torch; only high heat will break the bond of permanent threadlocker fluid (neither solvents nor brute force will help you remove the stud). Use propane torch to heat the stud: direct a small & narrow flame directly to the top of the stud. **Take care to heat only the stud; do not allow the torch to inadvertently heat adjacent areas.** Heat stud for about 1 to 2 minutes, then turn off torch and set it safely aside. *If you are unable or unwilling to perform this step, please send your leveling base to Really Right Stuff. We will remove the stud and install the clamp at no charge (customer is responsible for shipping costs).*



4. Use $\frac{3}{16}$ " hex key (each Versa tripod comes with two of these hex keys) to loosen stud; repeat Step 3 if stud does not easily loosen. **Stud and surrounding areas are hot; do not touch with your fingers!**



5. Completely remove stud and carefully set it aside without touching it with your fingers. Allow parts to cool completely before proceeding with installation of the clamp.



6. Align mounting holes in TA-LBC with top of leveling base. *NOTE: You will have to partially open clamp jaw in order to properly align the hole in the moving jaw with the mounting hole underneath.*

7. Using replacement screws and $\frac{7}{64}$ " hex key, install and tighten screws.

