



DO NOT RETURN TO RETAILER

IF YOU HAVE ANY QUESTIONS OR CONCERNS  
PLEASE VISIT OUR WEBSITE AT:

**[www.sunjoydirect.com](http://www.sunjoydirect.com)**

OR TOLL FREE AT:

**1-866-578-6569**

MONDAY-FRIDAY 11:30 AM TO 8:30 PM PACIFIC STANDARD TIME

MONDAY-FRIDAY 8:30 AM TO 5:30 PM EASTERN STANDARD TIME

**SUNJOY INDUSTRIES GROUP LIMITED**

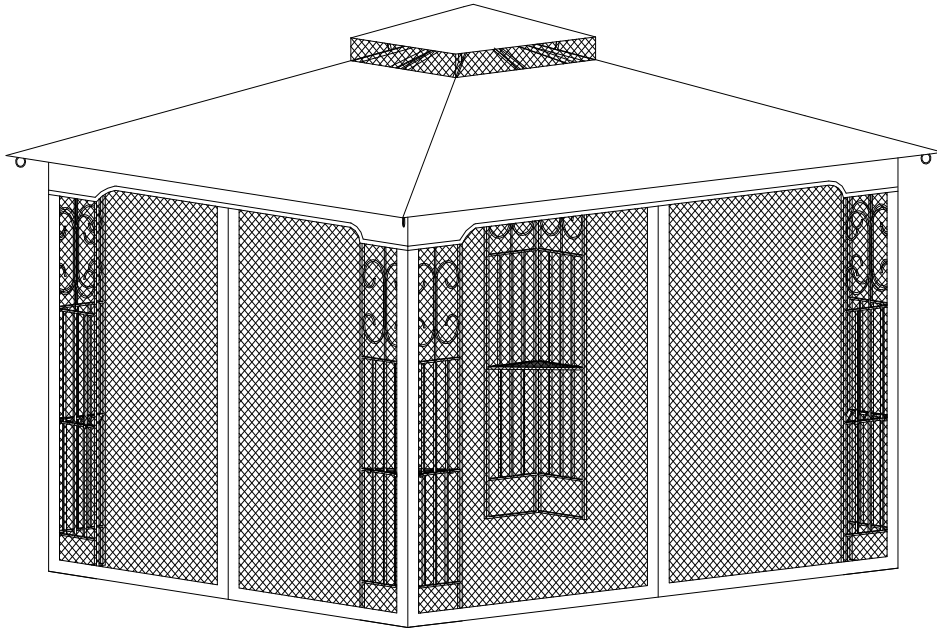
**619 Slack Street  
Steubenville, Ohio 43952 USA**

# ASSEMBLY INSTRUCTIONS

ITEM# L-GZ798PST

SKU# 139194

GAZEBO REGENCY II W/A.I.M.



## SAFETY INFORMATION:

Please read and understand this entire manual before attempting to assemble or install the product.

- When installing and assembling the item, it is recommended two or more adults are involved.
- This product is intended for outdoor use only and should be placed on flat, horizontal ground.
- Ensure enough clearance around the product.
- Do not use the unit during an electrical storm, as there is a remote chance of getting struck by lightning.
- Do not climb on top of the item. Falling off it can result in serious injury, possibly even death.
- Never barbecue under this item or use lanterns that contain open flames.
- This package contains small items and plastic bags that should be kept away from children.
- Ensure all connectors and poles are firmly secured in position. It is important to do so before use to avoid collapsing or damage to the item, which could also result in injury.
- Center hook's maximum weight capacity is 26 lbs.

## WARNING:

Keep all flame and heat sources away from the tent fabric. This tent is made with fabric that meets CPAI-84 specifications for flame resistance. It is not fire proof. The fabric will burn if left in continuous contact with any flame source. The application of any foreign substance to the tent fabric may render the flame-resistant properties ineffective. Remove the roof during severe weather conditions such as sustained strong winds, hurricanes, tropical downpours and snow. The manufacturer or retailer is not liable for any loss of the product or other items due to the failure to take down the item during any inclement weather.

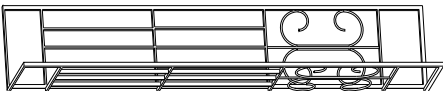







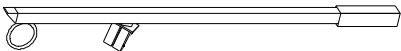

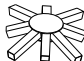
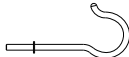
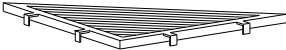
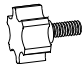



## PREPARATION:

Before beginning assembly of product, make sure all parts are present. Compare parts with package contents list and hardware contents list. If any part is missing or damaged, do not attempt to assemble the product.



**Estimated Assembly Time:** 30 minutes

No Tools Required for Assembly.

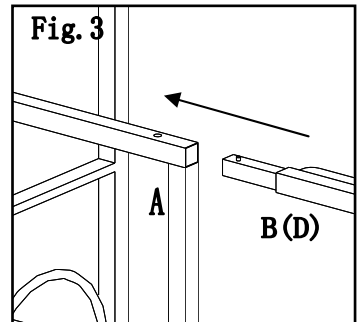
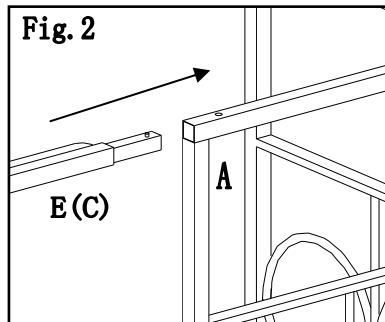
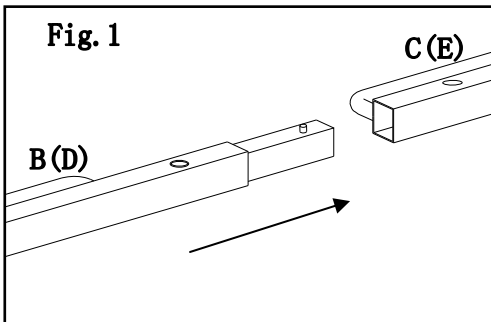
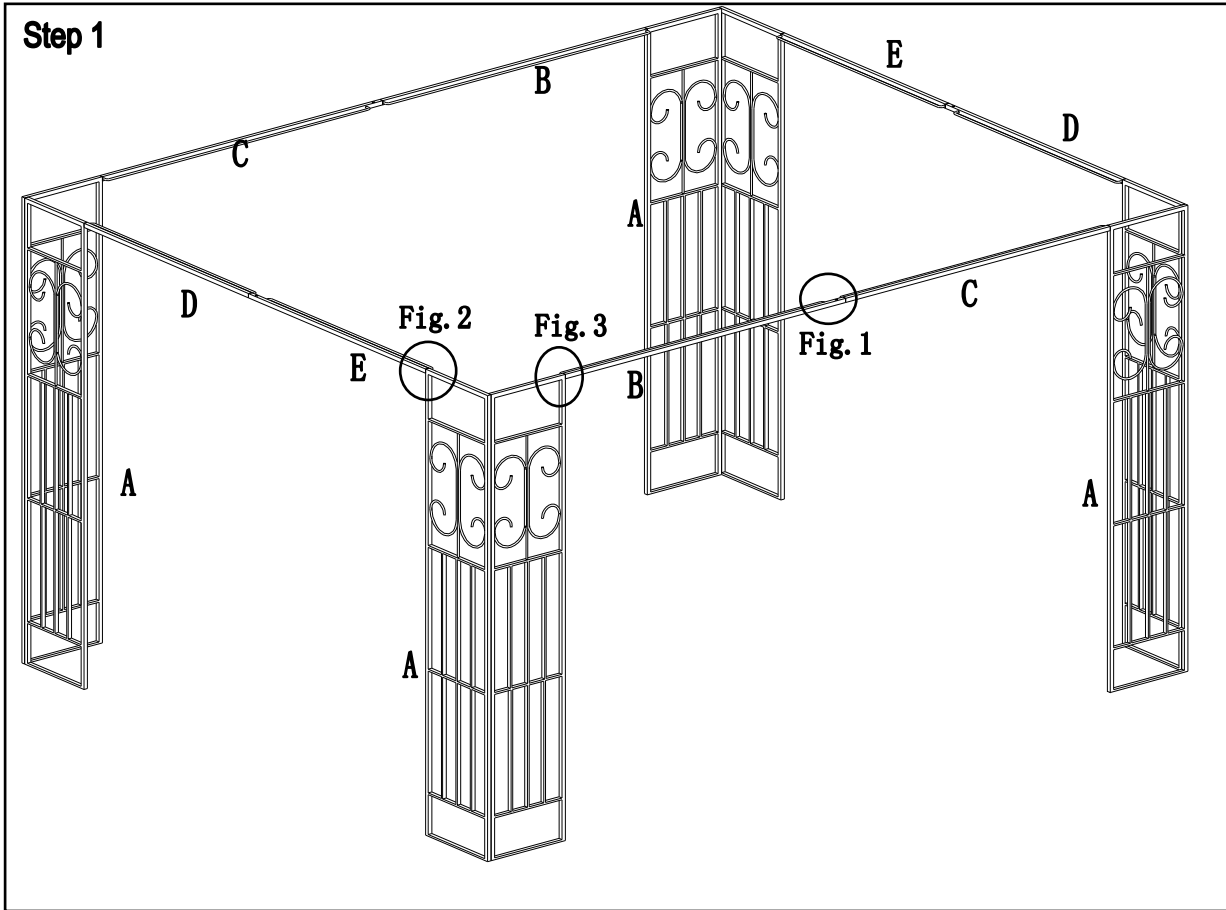
## Parts List

Corner Panel	A	4	
Long Cross Beam 1	B	2	
Long Cross Beam 2	C	2	
Short Cross Beam 1	D	2	
Short Cross Beam 2	E	2	
Long Corner Bar	F	4	
Long Middle Beam	G	2	
Short Middle Beam	H	2	
Short Corner Bar 1	I	2	
Short Corner Bar 2	J	2	
Top Connector	K	1	
Poohook	L	1	
Corner Shelf	M	4	
Knob	N	4	
Large Canopy	O	1	
Small Canopy	P	1	
Mosquito Netting	Q	1	

## Hardware Pack

AA	Plastic Ring (pre-assembled on netting)	52 PCS	
BB	Φ6X180MM Stake	16 PCS	

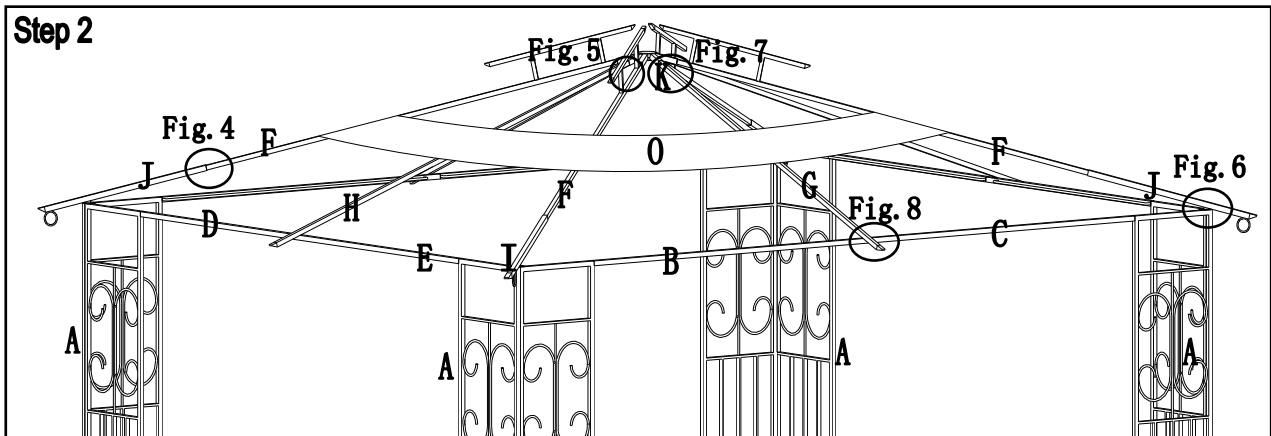
# ASSEMBLY INSTRUCTIONS:

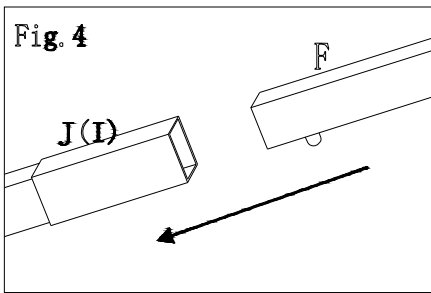


**Fig.1:** Insert Long Cross Beam 1 (B) into Long Cross Beam 2 (C), and Short Cross Beam 1 (D) into Short Cross Beam 2 (E).

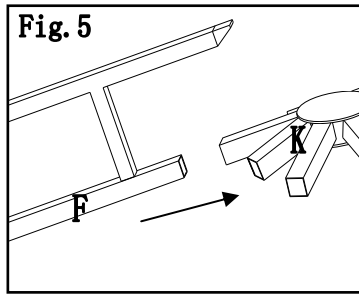
**Fig. 2:** Unfold two corner panels (A), then insert Cross beam E (C) into the corner panels (A). **(Note: The Mosquito netting bar should be toward inside.)**

**Fig. 3:** Insert Cross beam B (D) into the corner panels (A). **(Note: The Mosquito netting bar should be toward inside.)**

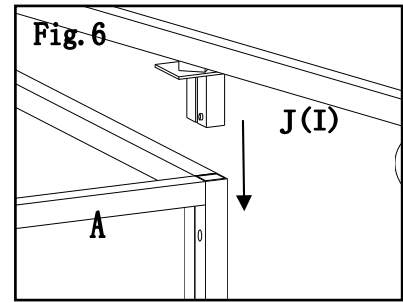




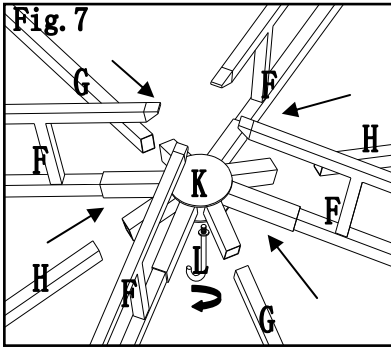
**Fig.4:** Insert Long Corner Bar (F) into Short Corner Bar J (I).



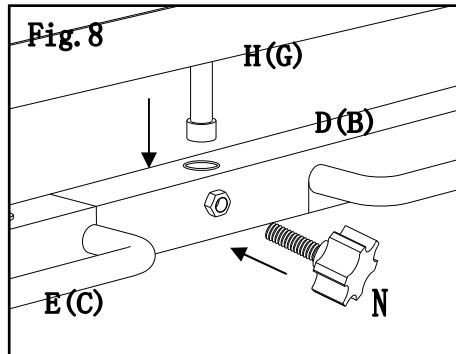
**Fig.5:** Insert another end of Long Corner Bar (F) into Top Connector (K).



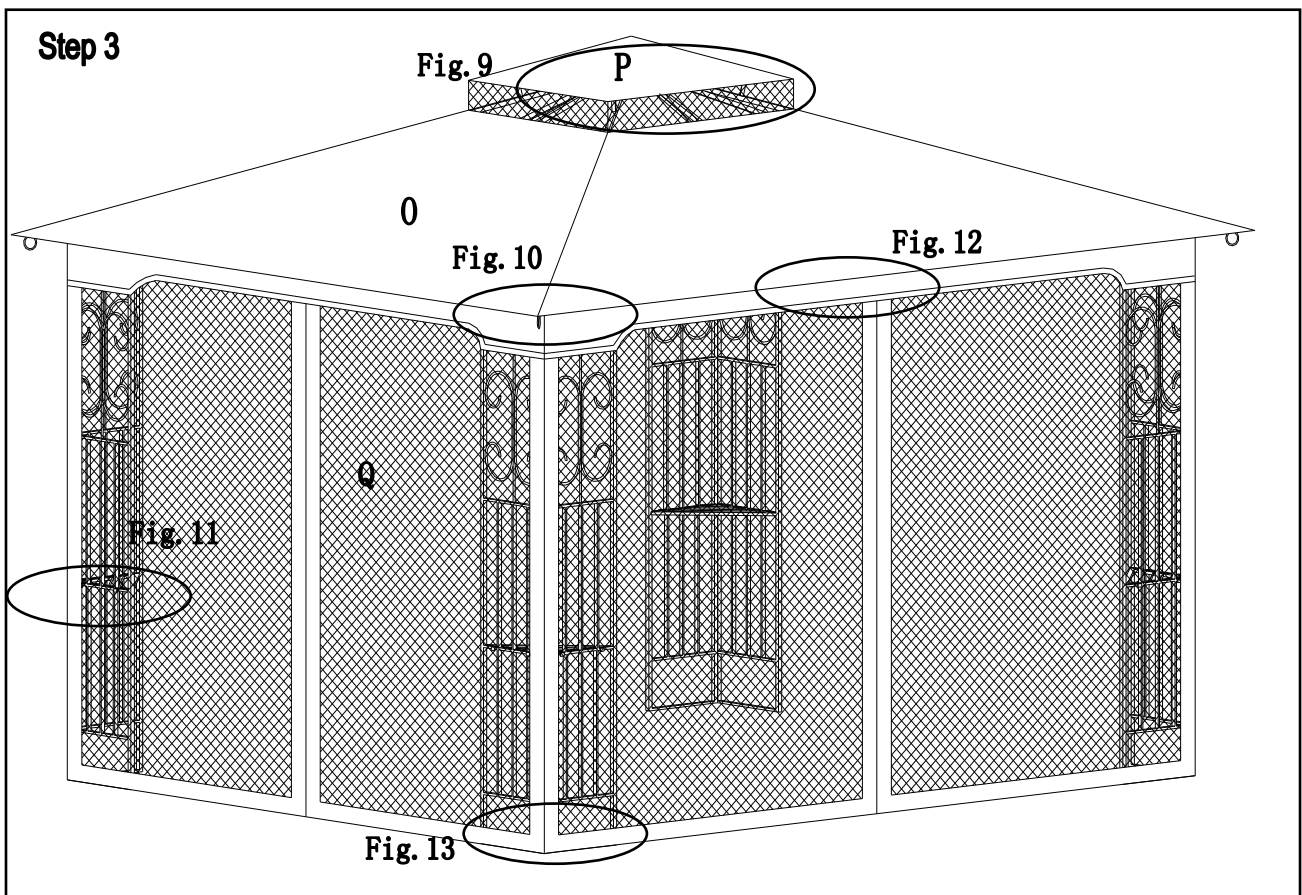
**Fig.6:** Insert Short Corner Bar J (I) into the corner of the corner panels (A).

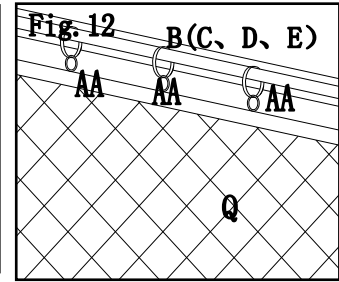
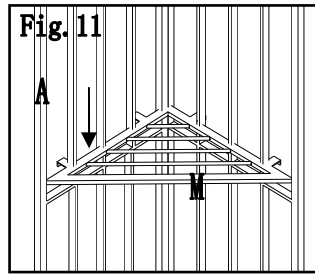
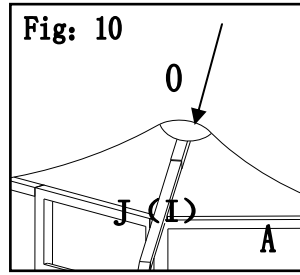
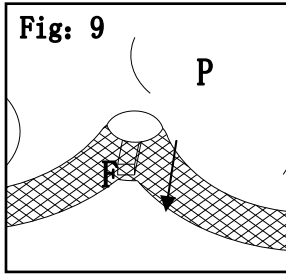


**Fig.7:** Insert Middle Beam H (G) into Top Connector (K). Screw Pothook (L) onto Top Connector (K). Place Large canopy (O) to the roof; do not spread it.



**Fig.8:** Insert the connector of Middle Beam H (G) into Cross Beam D (B), secure with Knob (N).



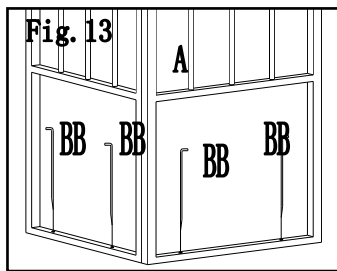


**Fig.9:** Attach Small Canopy (P) to the top along the Long Corner Bars (F), aligning the corners and stretching it to fit.

**Fig.10:** Spread Large Canopy (O) to the roof along the Short Corner Bars J (I), aligning the corners and stretching it to fit.

**Fig.11:** Place Corner Shelves (M) onto Corner Panels (A) as desired.

**Fig.12:** Hang Mosquito netting (Q) to the Cross Beam netting bars by using Plastic Ring (AA).



**Fig.13:** Secure the assembled gazebo to lawn with stakes (BB) through the bottom of corner panels (A).

## CARE AND MAINTENANCE:

- This item is intended for decorative and sunshade purposes only, and is not designed to withstand severe weather, including high winds, sustained tropical downpours, and snow. In order to avoid damage in such instances, remove any accumulated water and the roof immediately. Disassemble the item in the reverse order of the assembly steps if necessary prior to a severe storm.
- A partially disassembled item is likely not stable enough to resist high winds and other severe weather, and therefore can be damaged and/or cause damage. Since assembly time is only approximately 30 minutes, complete disassembly is recommended prior to any major storm.
- Do not use bleach, acid, or other abrasive cleaners on the roof or frame parts.
- Steel components of garden accessories and furniture are treated with rust inhibiting paint. However, due to the nature of steel, surface oxidation (rusting) will occur if this protective coating is scratched. This is a natural process. To minimize this condition, it is recommended that care be taken when assembling and handling the product, in order to prevent the paint from being scratched.
- Surface rust can be removed easily using a very light application of common cooking oil. If surface oxidation (rusting) occurs and no measures are taken to correct it, the oxidation may start dripping onto the assembly surface, which may cause damaging stains that may be difficult to remove.
- If the product will not be used for a long period (e.g. winter time), it should be stored in a clean, dry environment.
- Keep the original packaging to store the item.