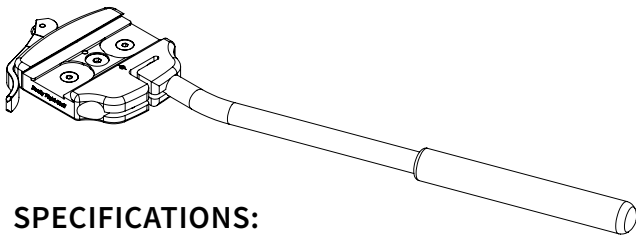




1146 Farmhouse Lane, San Luis Obispo, CA 93401 USA
 1-805-528-6321 | 1-888-777-5557
 www.ReallyRightStuff.com

B2 LR VC VIDEO CLAMP WITH VIDEO ARM EXTENSION



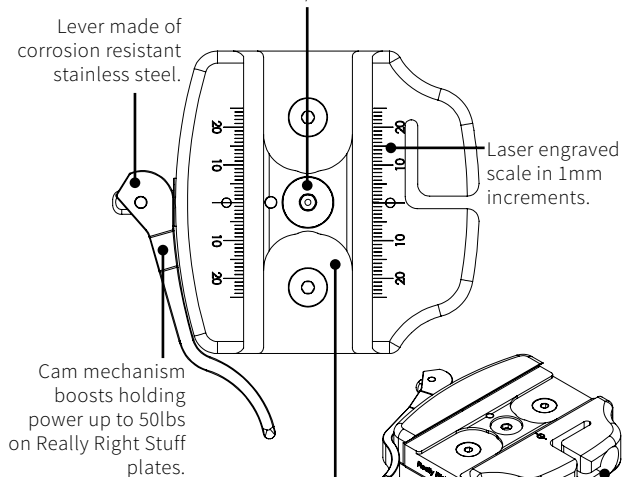
SPECIFICATIONS:

Clamp Jaw Length.....3.2" / 80mm
 Arm Extension Length.....12" / 305mm
 Clamp Weight.....7.3oz / 206g
 Arm Extension Weight.....1.9oz / 53g
 Total Weight.....9.1oz / 259g
 Clamp mounts to Really Right Stuff PG-02 Pano-Gimbal Vertical Arm.

KEY FEATURES:

Top View:

Lever made of corrosion resistant stainless steel.

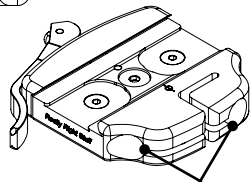


Laser engraved scale in 1mm increments.

Cam mechanism boosts holding power up to 50lbs on Really Right Stuff plates.

Relief grooves allow greater adjustment for plates with safety stops.

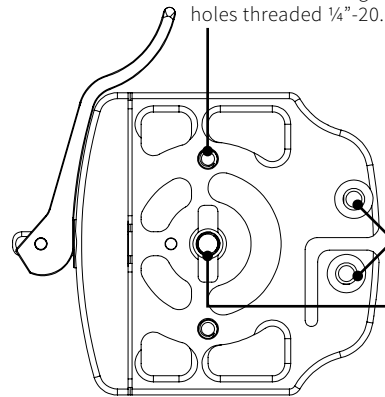
All mounting holes have countersink to accept flat head screws. Center hole threaded 3/8"-16.



Video Arm Extension can be inserted in either mounting hole.

Bottom View:

Off-center mounting holes threaded 1/4"-20.



Use 3mm hex key (included) to tighten bolts and secure Video Arm Extension.

Center hole is keyed with single groove.

GUARANTEE

ALL REALLY RIGHT STUFF BRAND PRODUCTS ARE GUARANTEED TO THE ORIGINAL PURCHASER TO BE FREE OF DEFECTS IN MATERIALS OR WORKMANSHIP FOR FIVE (5) YEARS FROM THE DATE OF PURCHASE. PRODUCTS WILL BE REPAIRED OR REPLACED AT OUR OPTION.

®, ™, © 2017 Really Right Stuff, LLC. All rights reserved.

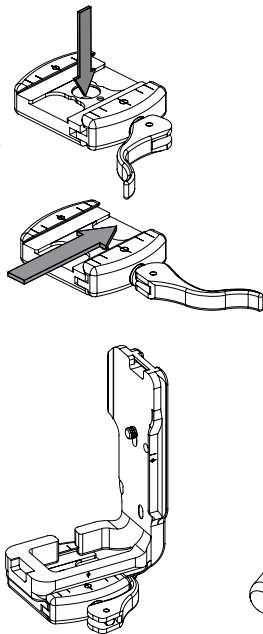
USING YOUR CLAMP

Your Lever-Release clamp has 3 distinct positions.

1. Fully Open: Open lever to the fully open position and you can quickly top-load your quick-release plates.

2. Halfway Open: With your quick-release plate engaged in the clamp, flip the lever to the halfway open position. Your plate freely slides in the clamp, but can't be lifted out. Use the handy laser-engraved index marks on the clamp jaws for precision positioning.

3. Fully Closed: The graceful stainless steel lever has a very positive "snap" feel when fully closed with a quick-release plate engaged. This gives assurance that the plate was properly loaded and locked in place. In the closed position, the lever closely hugs the contours of the clamp.



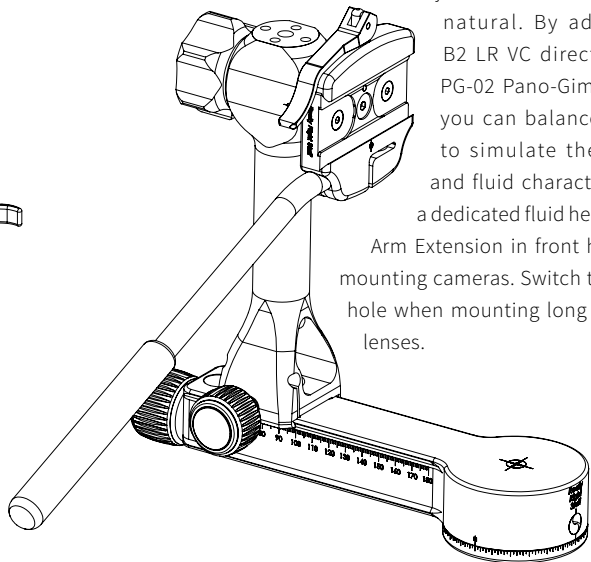
IN USE

Our B2 LR VC is a Really Right Stuff patented Lever-Release style clamp with a video arm extension, giving you fine motion control of your rig. With a video arm extension, tracking birds and other moving

subjects becomes smooth and

natural. By adding our B2 LR VC directly to our PG-02 Pano-Gimbal head, you can balance your rig to simulate the smooth and fluid characteristics of a dedicated fluid head. Secure

Arm Extension in front hole when mounting cameras. Switch to the side hole when mounting long telephoto lenses.



CARE AND MAINTENANCE

The stainless steel lever delivers a lifetime of wear and rides on a self-lubricating, wear resistant bronze bearing surface. From time to time, we recommend placing a drop of lubricant on the shaft to prevent the stainless steel and bronze washers from binding. If you find that your lever-release clamp is not closing as smoothly as it used to, simply open the clamp to the fully open position, squeeze the jaws together, blow out any dirt or grit, and place a drop of lubricant on the shaft.

