



1146 Farmhouse Lane, San Luis Obispo, CA 93401 USA  
 1-805-528-6321 | 1-888-777-5557  
 www.ReallyRightStuff.com

# BH-25 BALLHEAD

BALLHEAD ID: \_\_\_\_\_

## SPECIFICATIONS:

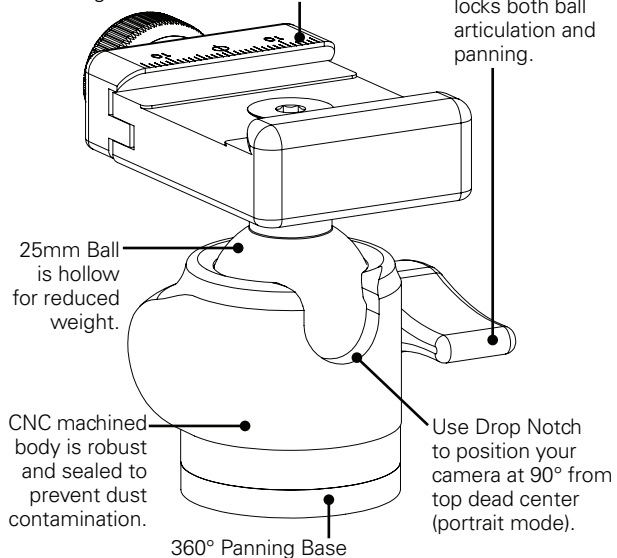
- Load Capacity.....8.8 pounds (4kg)
- Ball Articulation.....±45°, 90° notch
- Tension Adjustment.....via Main Lock T-lever
- Height of BH-25 Pro.....2.6" (66mm)
- Tripod Mount.....Stainless Steel 3/8"-16
- Base Diameter.....1.3" (33mm)
- Ball Diameter.....1.0" (25mm)
- Weight of BH-25 Pro.....6.5 ounces (185g)
- Main Lock T-Lever.....Spring loaded & repositionable

## KEY FEATURES

BH-25 Pro Shown Below

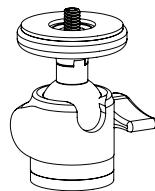
Quick-Release clamps are offered in screw-knob or lever-release styles (platform also available). Both clamp styles have laser-engraved scales in 1mm increments.

Main lock T-Lever to easily lock ballhead; T-Lever simultaneously locks both ball articulation and panning.



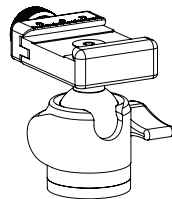
## MODELS

The BH-25 ballhead is available with a Really Right Stuff quick-release clamp or a flat platform; also available without clamp or platform.



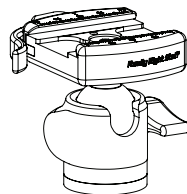
### BH-25 PF

Head comes with flat platform with 1/4"-20 threaded stud for direct mounting of camera. Platform diameter = 1 1/2 inches (38mm); fitted with cork bed to provide snug fit of camera.



### BH-25 Pro

Head comes with B2-mAS quick-release clamp secured with 1/4"-20 flat head screw. Clamp accepts most Arca-Swiss compatible plates (not Novoflex). Purchase plates separately.



### BH-25 LR

Head comes with B2-40 LR quick-release clamp secured with 1/4"-20 flat head screw. Clamp accepts all Really Right Stuff quick-release plates. Purchase plates separately.

## MAINTENANCE

### General Care

The BH-25 is finished with a protective anodize plating that protects the aluminum from corrosion and mild abrasion. It will not protect it from scraping against or dropping on rocks/concrete/etc.

### Cleaning

Take precautions to prevent your BH-25 from getting fouled in mud, dirt, or sand. If the BH-25 is fouled, dry dust and dirt can be blown off and/or wiped off with a soft cloth. Mud or salt water should be lightly rinsed off with fresh water and then thoroughly dried. If fine sand/grit fouls the knob, simply run a gentle stream of water around the knob while rotating it one-half turn back and forth. Do NOT submerge the ballhead and do not direct a high-pressure stream of water at it.

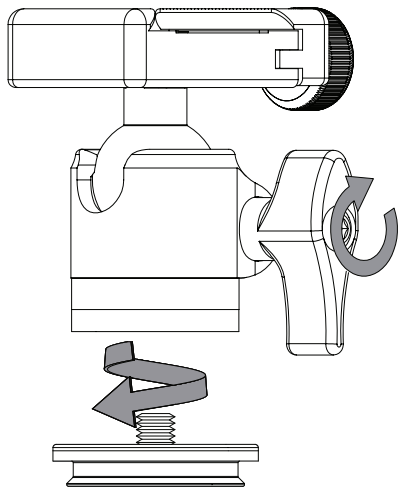
## GUARANTEE

ALL REALLY RIGHT STUFF BRAND PRODUCTS ARE GUARANTEED TO THE ORIGINAL PURCHASER TO BE FREE OF DEFECTS IN MATERIALS OR WORKMANSHIP FOR FIVE (5) YEARS FROM THE DATE OF PURCHASE. PRODUCTS WILL BE REPAIRED OR REPLACED AT OUR OPTION.

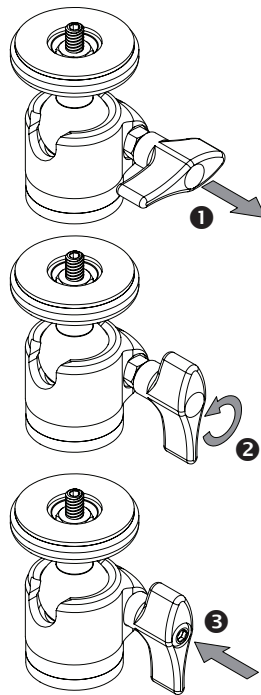
®, ™, © 1990-2017 Really Right Stuff, LLC. All rights reserved.

## INSTALL TO TRIPOD

1. Tighten the Main Lock T-Lever to lock the Panning Base.
2. Screw the ballhead onto the 3/8"-16 threaded stud on the top of the tripod (stud should not protrude more than 3/8" above platform or 5-6 threads). Tighten the ballhead onto the tripod snugly, but do not over-torque or it will be difficult to remove.



## USING THE MAIN LOCK T-LEVER



The Main Lock T-Lever is longer on one end. This design makes it easy to turn the lever and apply enough pressure to solidly lock the head. In some instances, though, the long end of the lever may hit the tripod platform or even the clamp. That's why we made the main lock T-Lever spring loaded and re-positionable:

1. Pull the T-Lever out.
2. Rotate T-Lever to a new position. The T-Lever actually drives an internal six-sided hex nut, so there are 6 possible positions for the T-Lever.
3. Allow T-Lever to snap into place.