

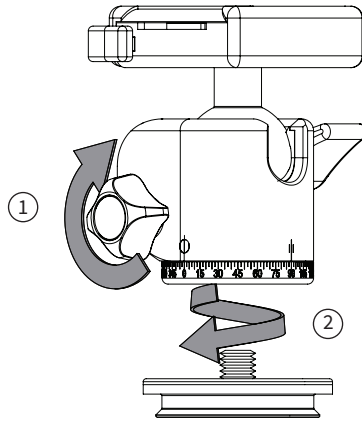
# OPERATION

## Attach the BH-30 to Tripod

1. Tighten the Pan Lock Knob to lock the Panning Base.

**NOTE: Sufficient lockup of both the pan and the ball can be achieved with light to medium torque. Overcranking the pan lock knob will result in unwanted drag on the ball.**

2. Screw the ballhead onto the  $\frac{3}{8}$ "-16 threaded stud on the top of the tripod (stud should not protrude more than  $\frac{3}{8}$ " above platform or 5-6 threads). Tighten the ballhead onto the tripod snugly, but do not over-torque or it will be difficult to remove.

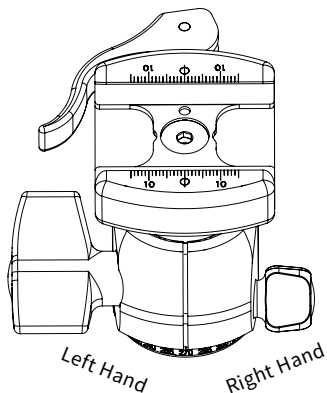


## Set Up Your Tripod

Set up your tripod to match the required camera position.

## Orient the Ballhead

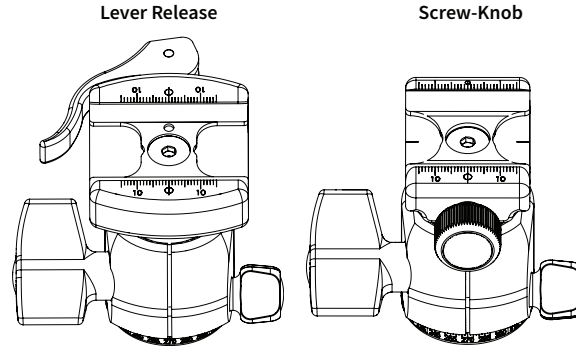
Loosen the Pan Lock Knob and rotate the body of the BH-30 ballhead so that you may operate the Main Lock Knob with your left hand while your right hand is free to operate the camera controls. Tighten Pan Lock Knob to secure the orientation.



## Orient the Quick-Release Clamp

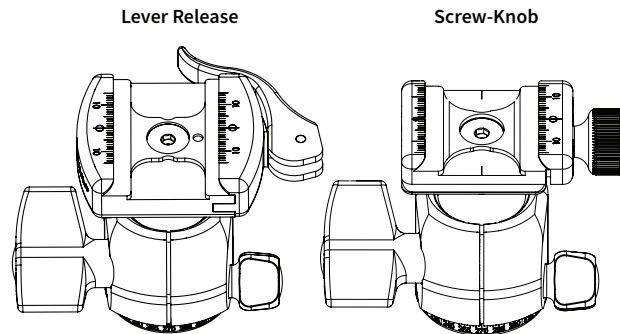
1. Camera Body Plates & L-Plates:

For quick-release plates with left/right dovetail orientation, orient your clamp as illustrated:



2. Lens Plates & Rails:

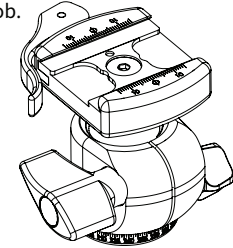
For quick-release plates with fore/aft or bidirectional dovetail orientation, orient your clamp as illustrated:



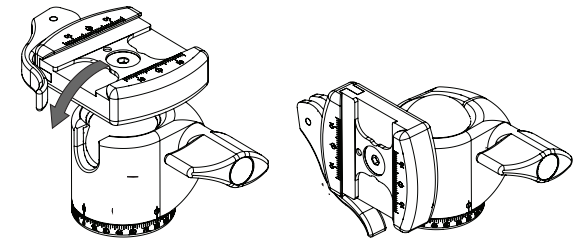
As you adopt a procedure that works for you, it's best to practice that working mode consistently until it becomes second nature. This will save you time in the field and help avoid costly mistakes. Seasoned pros are able to setup and shoot literally within seconds.

## Using the Drop Notch

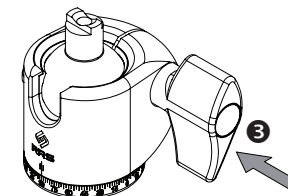
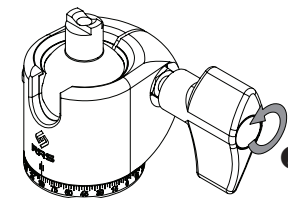
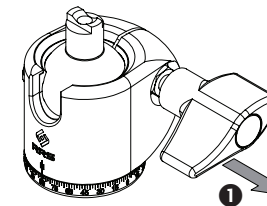
1. Loosen the Pan Lock Knob and rotate the body 90° counter clockwise. Retighten Pan Lock Knob.



2. Fully seat camera into the drop notch.

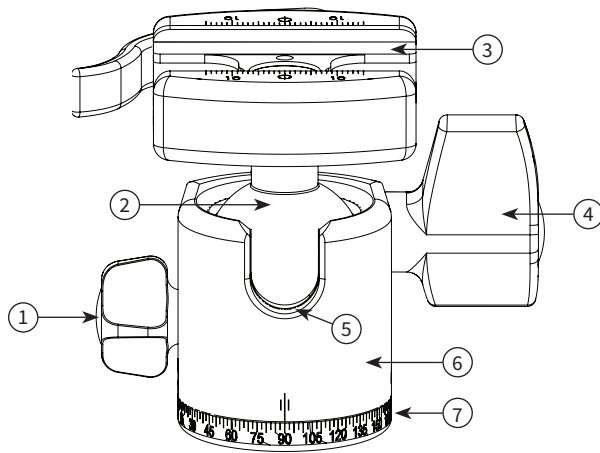


## Using the Main Lock T-Lever



The Main Lock T-Lever is longer on one end. This design makes it easy to turn the lever and apply enough pressure to solidly lock the head. In some instances, though, the long end of the lever may hit the tripod platform or even the clamp. That's why we made the main lock T-Lever spring loaded and re-positionable:

1. Pull the T-Lever out.
2. Rotate T-Lever to a new position. The T-Lever actually drives an internal six-sided hex nut, so there are 6 possible positions for the T-Lever.
3. Allow T-Lever to snap into place.



## KEY FEATURES

- Pan Lock Knob** — Our exclusive drum and band panning brake locks with an ergonomic scalloped knob. Conveniently shaped with detents, you can easily apply enough force to unscrew the ballhead by hand without the panning base slipping.
- 30mm Ball** — The 30mm ball is hollow for reduced weight, and its shape and finish allow for smooth and precise movement.
- Quick-release Clamps** — Really Right Stuff quick-release clamps feature the option of screw-knob or lever-release styles. We offer many sizes, from mini clamps to extra long clamps. Though any of our quick-release clamps can be installed onto the ballhead, the B2-40 LR and B2-mAS clamps are the best choices for the BH-30.
- Main Lock T-Lever** — Our ergonomic T-lever is designed for easy locking of the ball. It can be pulled out and repositioned for optimal ergonomics.
- Drop Notch** — Used in conjunction with the panning function, the drop notch is used to position your camera at angles greater than 45°. At full drop, the camera is positioned 90° from top dead center of the ballhead, allowing for portrait orientation and/or gimbal style movement. Protection from accidental fallout is ensured if you use an RRS quick-release plate with safety stop.
- Body** — The CNC machined body serves as both the structure and the clamping mechanism of the ballhead. This is furnished by a unique split body design, which is robust, lightweight and sealed to prevent dust contamination. Finished with satin black anodizing, it can withstand abrasion and corrosion while looking beautiful.
- Engraved Pan Base** — The pan base features a mark every 2.5° and is labeled from 0° to 360°. Located on the main body just below the drop notch is an index mark for tracking progressive panning, used in multi-shot panoramic photography.

## MAINTENANCE

### General Care

The BH-30 is finished with a protective anodize plating that protects the aluminum from corrosion and mild abrasion. It will not protect it from scraping against or dropping on rocks/concrete/etc.

The BH-30 comes packed in our protective LB-40 Cordura Pouch (pouch not included when BH-30 is purchased without clamp or platform). Keep the BH-30 in this pouch whenever practical. When transporting your tripod, cover ballhead with the pouch and tighten the drawstring around the bottom to keep it in place.

### Cleaning

Take whatever precautions you can to prevent your BH-30 from getting fouled in mud, dirt, or sand. A good habit is to keep a plastic bag with your camera gear to quickly cover your camera and ballhead if you get caught in a rain/sandstorm. If the BH-30 is fouled, dry dust and dirt can be blown off and/or wiped off with a soft cloth. Mud or salt water should be lightly rinsed off with fresh water and then thoroughly dried. Do NOT submerge the ballhead when washing and do not direct a high-pressure stream of water at the ballhead.

All the knobs are captive, meaning they cannot come off without damaging them so do not attempt to remove the knobs. If fine sand/grit fouls the knob, simply run a gentle stream of water around the knob while rotating it one-half turn back and forth.

### Break-In

The ballhead is tuned to maximize holding capacity and deliver super-fast lockup. If you like to work with a fully loose ball with no pre-set tension, the ballhead is ideal for you "out of the box". However, those who like to operate the ballhead with a given amount of drag may find that articulating a pre-tensioned ballhead is not as silky smooth as desired. Keep in mind, after using the head for a period of time there will be some noticeable softening of the action. Customers have been known to lubricate their ballhead for increased fluidity of motion, however we do not recommend this.

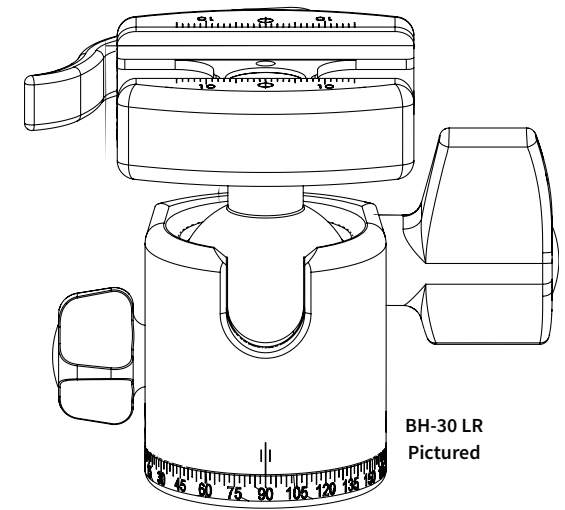
### Lubrication

The BH-30 is lubricated at the factory and parts that require lubrication are sealed. NO LUBRICATION IS REQUIRED BY THE USER. Especially DO NOT LUBRICATE THE BALL as this will decrease the lock-up capacity and will attract dirt/dust. Just keep the ball free from contamination to maintain smooth action.

## GUARANTEE

All Really Right Stuff brand products are guaranteed to the original purchaser to be free of defects in materials or workmanship for five (5) years from the date of purchase. Products will be repaired or replaced at our option.

## BH-30 BALLHEAD



**Thank you** for choosing a Really Right Stuff BH-30 Ballhead. It is the culmination of years of development based on first-hand experience and abundant input from seasoned professionals. Please review this manual to see how you can get the most from your BH-30.

## SPECIFICATIONS: BH-30 LR

Load Capacity .....	15 pounds (6.8kg)
Ball Articulation .....	±45°, 90° notch
Tension Adjustment .....	via Main Lock T-lever
Panning Base .....	2.5° increments, zero to 360°
Height .....	2.9" (75mm)
Tripod Mount .....	Stainless Steel 3/8"-16
Base Diameter .....	1.6" (41mm)
Ball Diameter .....	1.2" (30mm)
Weight w/ B2-40 LR Clamp .....	11.4 ounces (324g)
Optional Platform and Stud .....	1 1/2" platform with 1/4" stud
Main Lock T-Lever .....	Spring loaded & repositionable
Clamp Options .....	see our website for all clamp options