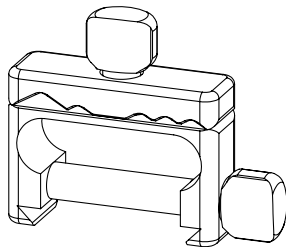




1146 Farmhouse Lane, San Luis Obispo, CA 93401 USA  
1-805-528-6321 | 1-888-777-5557  
www.ReallyRightStuff.com

## CA-1 CABLE ANCHOR



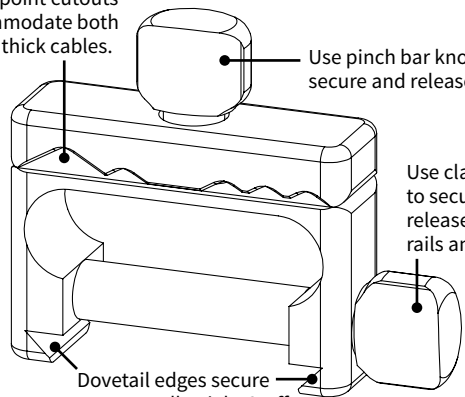
### SPECIFICATIONS:

Weight..... 1.4 ounces (40g)

Material..... machined from 6061-T6 aluminum

## FEATURES

Pinch point cutouts accommodate both thin & thick cables.

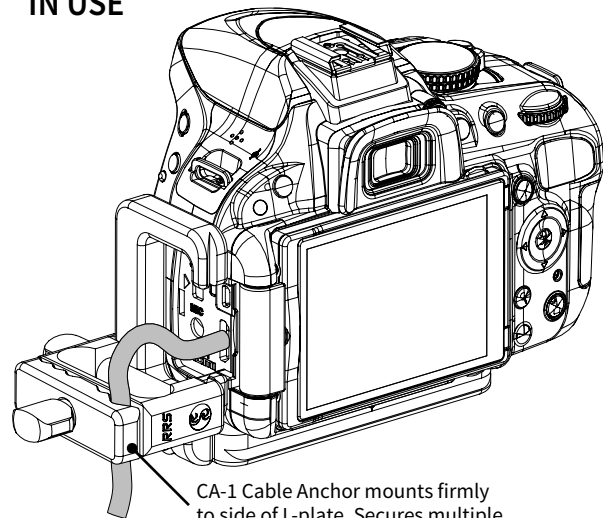


Use pinch bar knob to secure and release cables.

Use clamp knob to secure and release CA-1 from rails and L-plates.

Dovetail edges secure to any Really Right Stuff style rail or plate.

## IN USE



CA-1 Cable Anchor mounts firmly to side of L-plate. Secures multiple cables to prevent accidental release.

## MAINTENANCE

Periodically wipe unit clean with a dry cloth to remove any contamination. Apply general purpose grease to thread tips to prevent squeaking. **Note that wingnut knobs are not captive;** if you fully unscrew knobs they can be removed. During normal operation it is only necessary to partially unscrew knobs.

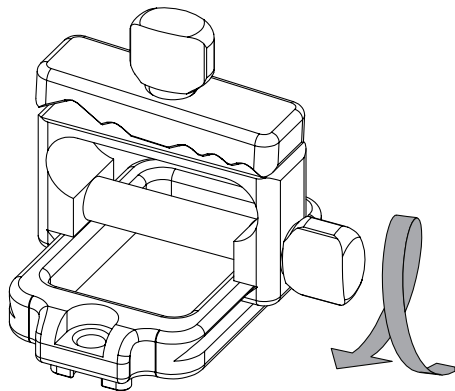
## GUARANTEE

All Really Right Stuff brand products are guaranteed to the original purchaser to be free of defects in materials or workmanship for five (5) years from the date of purchase. Products will be repaired or replaced at our option.

®, ™, © 2017 Really Right Stuff, LLC. All rights reserved.

## SECURE CABLE ANCHOR TO L-PLATE

Release clamp knob then slide onto rail or L-plate. Place in desired position, then turn clamp knob clockwise to secure in place.



## SECURE CABLE IN CABLE ANCHOR

Unscrew pinch bar knob, then raise pinch bar and slide cable into place. The pinch point cutouts accommodate cables of varying thickness. Once cable is in place, turn pinch bar knob just until cable is firmly secured. Do not overtighten pinch bar knob.

