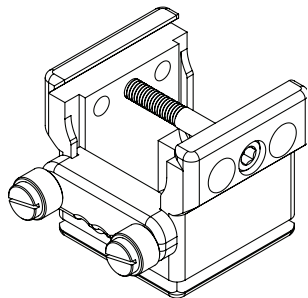
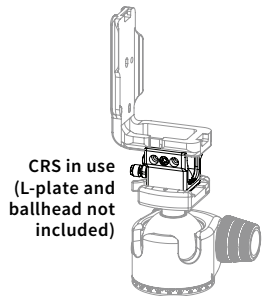




1146 Farmhouse Lane, San Luis Obispo,
CA 93401 USA
1-805-528-6321 | 1-888-777-5557
www.ReallyRightStuff.com

CRS: CABLE RELIEF SPACER



SPECIFICATIONS:

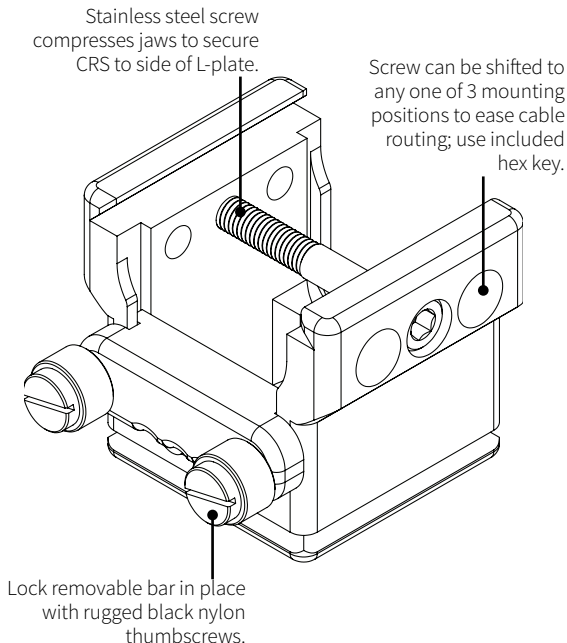
Weight.....2.4oz / 67g

Added Vertical Clearance.....1.25" / 32mm

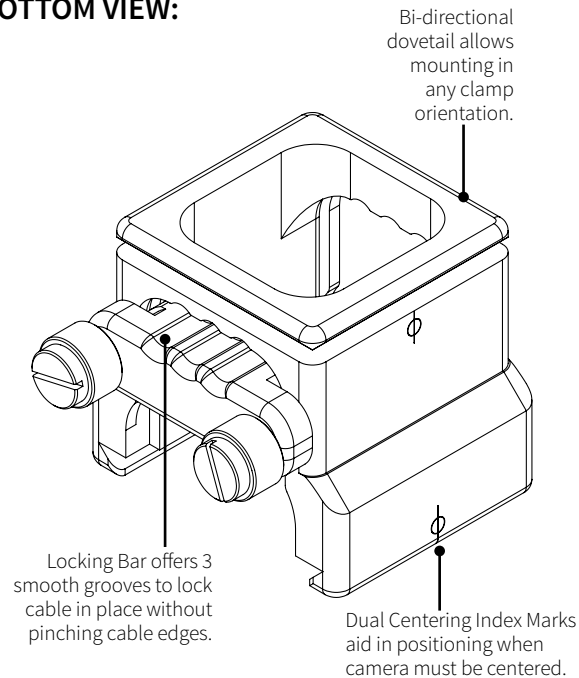
Material.....6061-T6 anodized aluminum

CRS includes one each spacer block, locking bar, 5/32" hex key, and two thumbscrews. Additional locking bars available separately.

TOP VIEW:

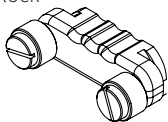


BOTTOM VIEW:



CABLE RELIEF SPACER IN USE

- Additional clearance is often needed when mounting camera in portrait mode (with L-plate) and shooting tethered. The CRS solves this issue and incorporates a cable lock bar to eliminate the strain on the cables.
- Cables can be routed to either side. To optimize cable routing on just one side, move the stainless steel screw to the opposite side. This will create some extra space for the cables.
- Multiple cables can be routed through the CRS on only one side or on both sides. Add an additional CRS-Bar to lock cables in place on both sides of the CRS.

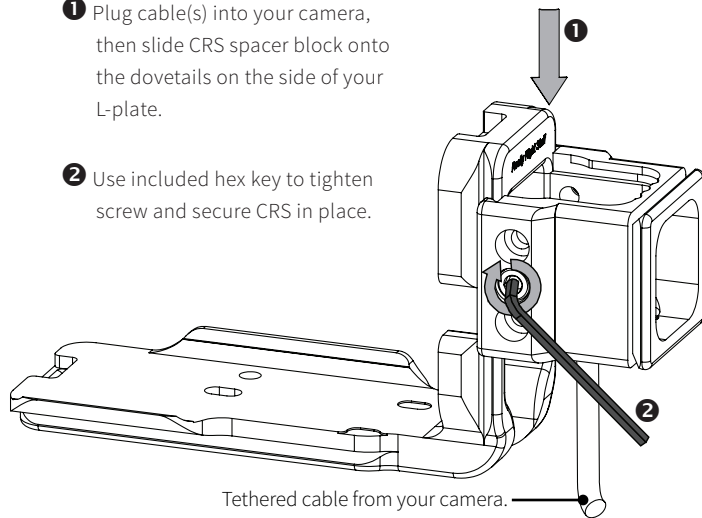


GUARANTEE

ALL REALLY RIGHT STUFF BRAND PRODUCTS ARE GUARANTEED TO THE ORIGINAL PURCHASER TO BE FREE OF DEFECTS IN MATERIALS OR WORKMANSHIP FOR FIVE (5) YEARS FROM THE DATE OF PURCHASE. PRODUCTS WILL BE REPAIRED OR REPLACED AT OUR OPTION.

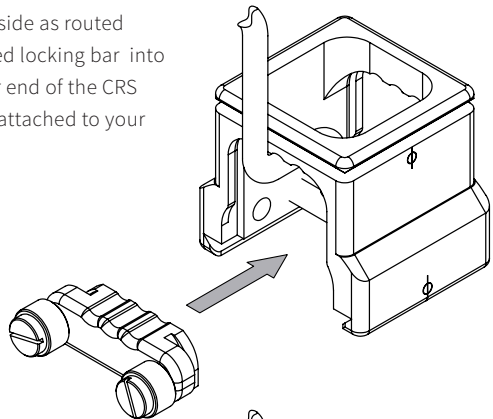
INSTALL STEPS*

- 1 Plug cable(s) into your camera, then slide CRS spacer block onto the dovetails on the side of your L-plate.
- 2 Use included hex key to tighten screw and secure CRS in place.



* For clarity of illustration, L-plate is not shown mounted to camera. In actual use your L-plate will be mounted to your camera. In Step 3 & Step 4, the CRS is shown on end to make it easier to illustrate how the locking bar slides into place.

- 3 On same side as routed cable, feed locking bar into the wider end of the CRS (the end attached to your L-plate).



- 4 Slide locking bar along dovetail towards cable; seat cable in one of the grooves. Use thumbscrews to secure locking bar in place.

