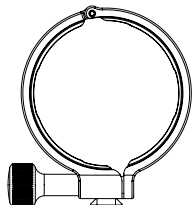




1146 Farmhouse Lane, San Luis Obispo,
California 93401 USA
1-805-528-6321 | 1-888-777-5557
www.ReallyRightStuff.com

TRIPOD LENS COLLAR



COLLAR/PACKAGE ID

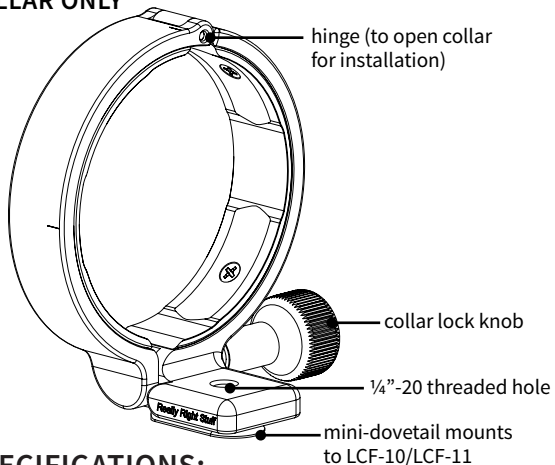
Collar: Includes collar only. Collar has 1/4"-20 threaded hole at base for direct mounting to tripod head with 1/4"-20 threaded stud.

Collar + Foot Package: Includes collar + LCF-10 or LCF-11 foot. Foot has dovetail for mounting in any Really Right Stuff-style clamp.

AVAILABLE MODELS:

LC-A10.....	Nikon AF-S 300mm f/4 (lens first released 2000)
LC-A11.....	Nikon AF 80-400mm f/4.5-5.6 VR (2005-2012)
LC-A12.....	Nikon AF-S 70-200mm f/4 VR (lens first released 2012)
LC-A13.....	Nikon AF-S 80-400mm f/4.5-5.6 VR (lens first released 2013)
LC-A14.....	Nikon AF-S 200-500mm f/5.6E ED VR (lens first released 2016)

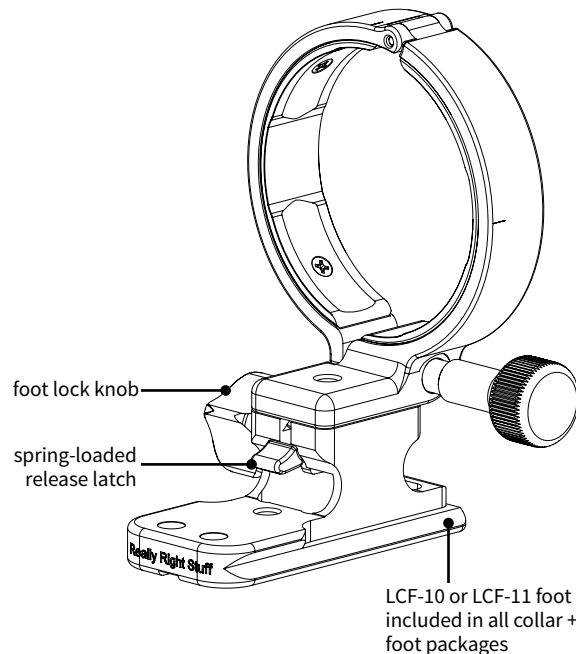
LENS COLLAR COLLAR ONLY



SPECIFICATIONS:

LC-A10 Collar / LC-A10 Collar + LCF-10 Package	4.6oz / 7.3oz
LC-A11 Collar / LC-A11 Collar + LCF-10 Package	4.7oz / 7.4oz
LC-A12 Collar / LC-A12 Collar + LCF-10 Package	3.5oz / 6.2oz
LC-A13 Collar / LC-A13 Collar + LCF-10 Package	5.2oz / 7.9oz
LC-A14 Collar / LC-A14 Collar + LCF-11 Package	5.1oz / 8.3oz

LENS COLLAR PACKAGE COLLAR + FOOT



CLEANING

Ensure the barrel of the lens is clean and dry prior to installation of the collar. Wipe off any dry dust or dirt with a soft cloth. If the collar or foot becomes fouled during use, remove the components and rinse lightly under fresh water then dry thoroughly. Do not attempt to remove the locking knobs; doing so will result in damage to the components.

LUBRICATION

Parts require no lubrication. Just keep the components free from contamination to maintain smooth action.

GUARANTEE

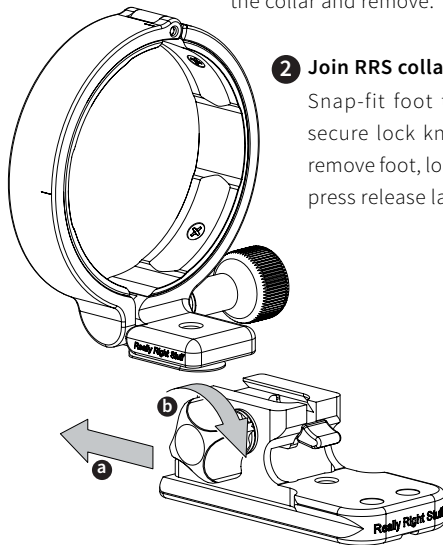
ALL REALLY RIGHT STUFF BRAND PRODUCTS ARE GUARANTEED TO THE ORIGINAL PURCHASER TO BE FREE OF DEFECTS IN MATERIALS OR WORKMANSHIP FOR FIVE (5) YEARS FROM THE DATE OF PURCHASE. PRODUCTS WILL BE REPAIRED OR REPLACED AT OUR OPTION.

©, ™, © 2017 Really Right Stuff, LLC. All rights reserved.

INSTALLATION

1 Remove Nikon collar (if present)

Refer to Nikon manual for model-specific instructions. Loosen collar lock knob until collar rotates freely, then align the alignment mark on top of the lens with the ← mark on the collar and remove.

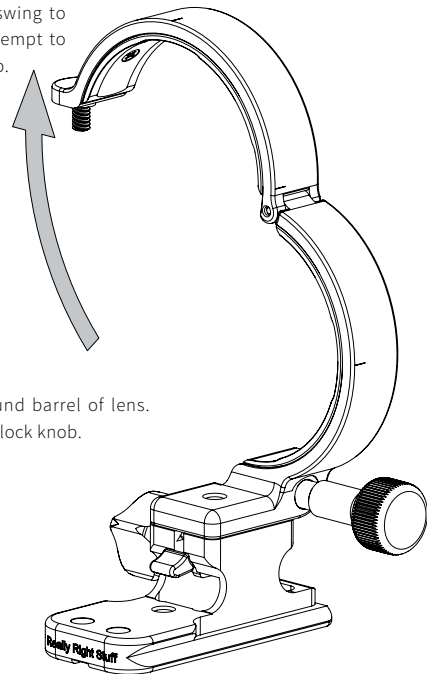


2 Join RRS collar and LCF-1X foot

Snap-fit foot to collar (a), then secure lock knob (b) on foot. To remove foot, loosen lock knob and press release latch.

3 Open collar

Loosen lock knob on collar until hinged segment of collar releases; swing to open. Do not attempt to remove lock knob.



4 Attach to lens

Wrap collar around barrel of lens. Check fit. Secure lock knob.