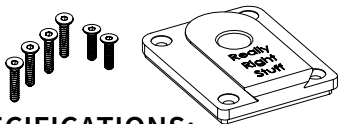




1146 Farmhouse Lane,
San Luis Obispo, CA 93401 USA
1-805-528-6321 | 1-888-777-5557
www.ReallyRightStuff.com

LCF-10P FOR AF-S NIKKOR 70-200mm f/2.8G ED VR-I/II

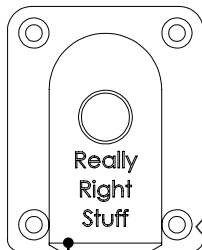
*Not compatible with the newer 2016 Nikon
70-200mm f/2.8E FL ED VR*



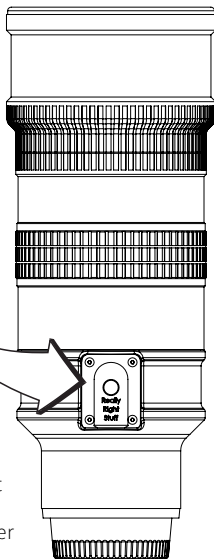
SPECIFICATIONS:

Weight0.35 ounces / 10g
Material6061-T6 anodized aluminum
Dimensions.....1.0" x 1.275" / 26mm x 32mm
Height of Mounting Plate section ..0.145" / 3.68mm
Total Height0.300" / 7.62mm
*Comes with four flat head M2-0.4x8 and two flat head
M2-0.4x6 and black oxide steel screws, one 0.05" hex key.*

TOP VIEW



Replaces thin aluminum plate mount on the lens collar. This is where the removable lens collar foot slides onto the collar. LCF-10P is 2½ times thicker than original Nikon plate mount.



MAINTENANCE

General Care

Prevent grit from fouling the surface of the LCF-10P. Periodically use included hex key to check security of mounting screws. **Seat hex key firmly and use care to prevent stripping hex socket head.**

Cleaning

Wipe LCF-10P clean with a dry cloth to remove any contamination prior to installing lens collar foot.

GUARANTEE

ALL REALLY RIGHT STUFF BRAND PRODUCTS ARE GUARANTEED TO THE ORIGINAL PURCHASER TO BE FREE OF DEFECTS IN MATERIALS OR WORKMANSHIP FOR FIVE (5) YEARS FROM THE DATE OF PURCHASE. PRODUCTS WILL BE REPAIRED OR REPLACED AT OUR OPTION.

©,™,© 2017 Really Right Stuff, LLC. All rights reserved.

INSTALLATION

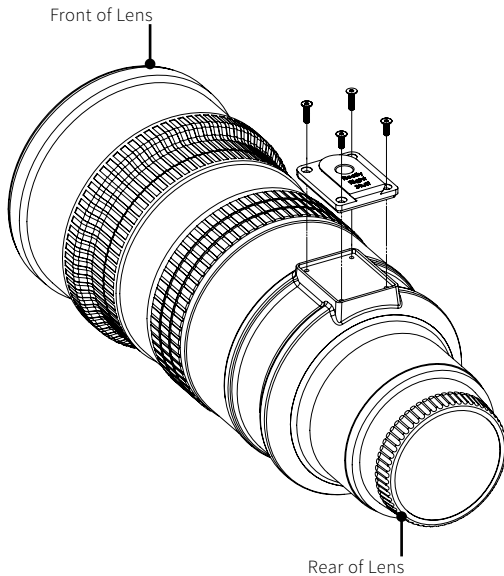
1. Remove lens collar foot.
2. Use JIS or "00" Phillips screwdriver (not included) to remove the four mounting screws on the Nikon lens collar mount plate. **Seat tool firmly and use care to prevent stripping head.**
3. Lift off Nikon lens collar mount plate and put LCF-10P in place on the collar (RRS logo should read in the same direction as the Nikon logo).
4. Inspect Nikon nameplate on your lens to determine if you own the VR-II or VR-I version of this lens, then continue with corresponding instructions at right.

VR-II nameplate is black with gold lettering and reads:

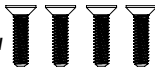
AF-S NIKKOR 70-200mm 1:2.8GII ED

VR-I nameplate is gold with black lettering and reads:

AF-S VR-NIKKOR 70-200mm 1:2.8G

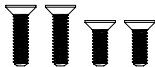


VERSION VR-II



5. Inspect the six replacement screws provided by Really Right Stuff and select the four screws that are all the same length. Use these screws to securely install LCF-10P. **Seat hex key firmly and use care to prevent stripping hex socket head.**

VERSION VR-I



5. Inspect the six replacement screws provided by Really Right Stuff and select two of the longer screws and two of the shorter screws.
6. Use the two longer screws to install the edge of the LCF-10P that is closer to the front of the lens (above the RRS logo).
7. Use shorter screws to install the edge of the LCF-10P that is closer to the rear of the lens (below the RRS logo). **Seat hex key firmly and use care to prevent stripping hex socket head.**