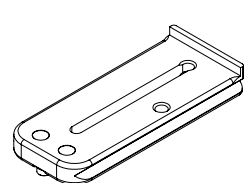




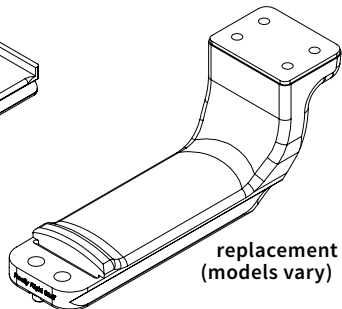
1146 Farmhouse Lane, San Luis Obispo, CA 93401 USA
 1-805-528-6321 | 1-888-777-5557
 www.ReallyRightStuff.com

LENS PLATES & FOOT REPLACEMENTS

ID: _____



lens plate
(models vary)

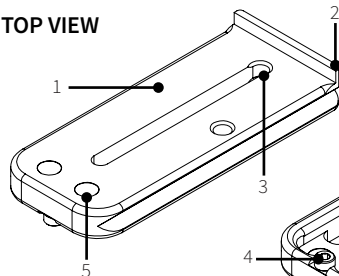


replacement foot
(models vary)

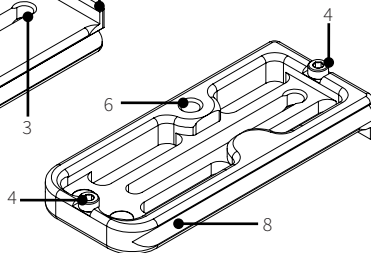
KEY FEATURES

- 1. Lens Plates** mount to the bottom of the lens collar foot.
Lens Collar Foot Replacements actually replace the manufacturer's stock foot.
- 2. Anti-Twist Flange.** Some plates have an integral flange, some plates have an optional flange (included). Install optional flange if foot has only 1 mounting socket.
- 3. Mounting Screw** slides in **Mounting Slot**. Slot is threaded at one end; slide screw to threaded end to unscrew & remove.
- 4. Safety Stop Screw(s)** help prevent accidental release. Longer plates have 2 safety stop screws, shorter plates have only 1.

TOP VIEW



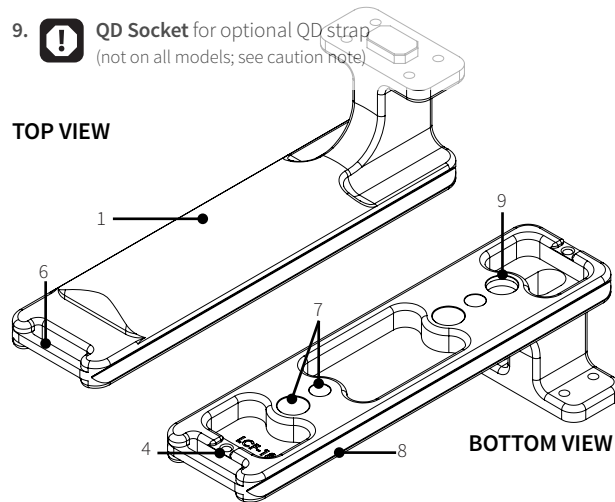
BOTTOM VIEW



LENS PLATES MOUNT TO BOTTOM OF LENS FOOT.

- 5. Holes** for backwards compatibility with legacy Flash Arms (not on all models).
- 6. Strap Lug** for optional carrying strap (not on all models).
- 7. Accessory Tripod Socket(s)** threaded 1/4"-20 and/or 3/8"-16.
- 8. Dovetail** grooves are on both sides.
- 9. QD Socket** for optional QD strap (not on all models; see caution note)

TOP VIEW



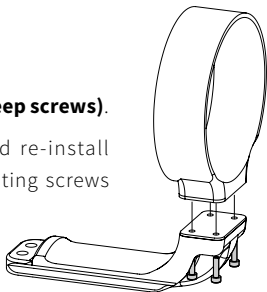
BOTTOM VIEW

FOOT REPLACEMENTS COMPLETELY REPLACE FOOT.

INSTALLATION

Lens Collar Foot Replacement

1. Use proper tool to remove foot (**keep screws**).
2. Line up replacement foot, and re-install mounting screws. Tighten mounting screws firmly.



⚠ USING THE QD SOCKET ⚠

Our QD socket accepts industry standard push-button QD mounts. The QD socket must be kept free of dirt or grit to allow the QD mount to fully seat and snap into the socket. **Always check that the QD mount on your strap/swivel is fully seated and completely engaged before use.**

GUARANTEE

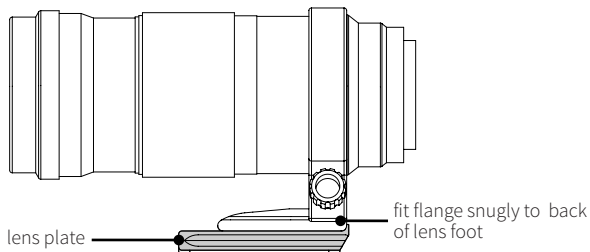
ALL REALLY RIGHT STUFF BRAND PRODUCTS ARE GUARANTEED TO THE ORIGINAL PURCHASER TO BE FREE OF DEFECTS IN MATERIALS OR WORKMANSHIP FOR FIVE (5) YEARS FROM THE DATE OF PURCHASE. PRODUCTS WILL BE REPAIRED OR REPLACED AT OUR OPTION.

®, ™, © 2017 Really Right Stuff, LLC. All rights reserved.

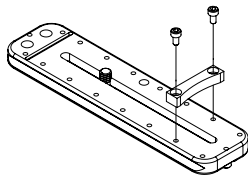
INSTALLATION

Lens Plate

1. Use included hex key to loosely install lens plate to foot.
2. Push the flange snugly against the heel of the foot, then tighten mounting screw.



3. If your lens plate came with an optional flange and your lens has only 1 mounting socket, you must install the flange. First remove the 2nd mounting screw (slide it to the threaded end of the slot and unscrew), then install the flange with the flat side towards the flattest edge. Install as above.



FLASH BRACKETS & ACCESSORIES

Mount your strobe to the top of a Really Right Stuff flash bracket to keep the strobe centered over the barrel of the lens even when you rotate the camera to portrait. Our flash brackets come in three sizes: small, medium, and large. We also carry flash adapters, flash extenders, multiple strobe mounts, and cold shoes. Check our website for details and compatibility.

