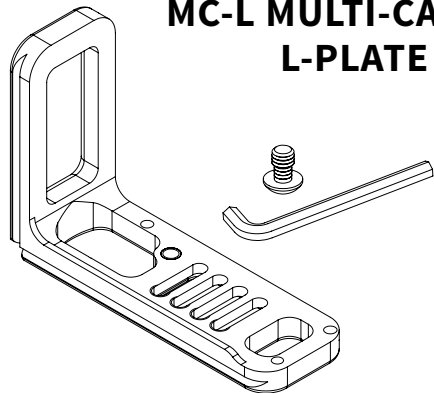




1146 Farmhouse Lane, San Luis Obispo,  
California 93401 USA  
1-805-528-6321 | 1-888-777-5557  
www.ReallyRightStuff.com

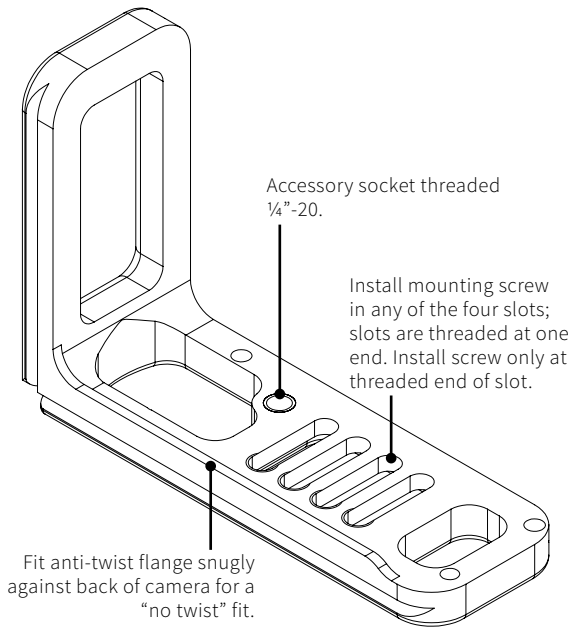
## MC-L MULTI-CAMERA L-PLATE



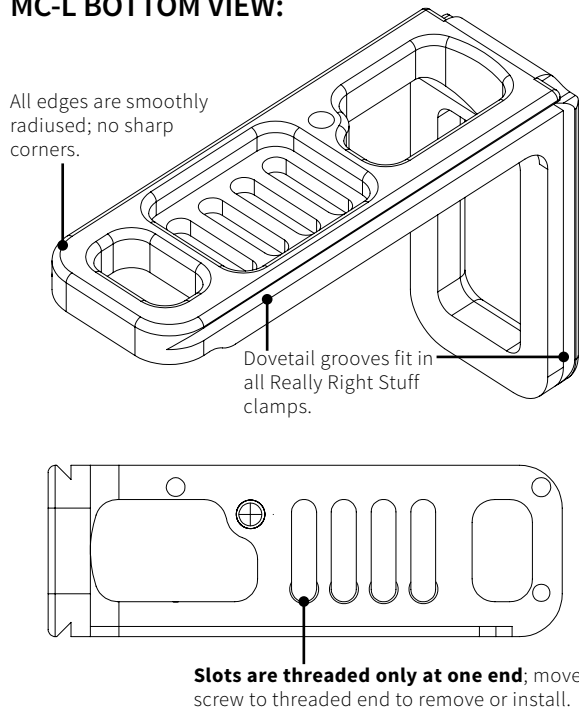
### SPECIFICATIONS:

Weight ..... 3.2oz / 91g  
Compatible with..... most metal-bodied film cameras  
Comes with..... one each 1/4"-20 mounting screw, 5/32" hex key

### MC-L TOP VIEW:



### MC-L BOTTOM VIEW:



## MAINTENANCE

### General Care

Before installing plate, wipe off bottom of camera to prevent trapping dirt or grit. When installing the mounting screw, note that **slots are threaded at only one end. Install screw first at the threaded end, then it will slide easily in the slot for final positioning.**

Periodically check mounting screw to make sure it is tightly installed.

### Cleaning

Periodically wipe plate and quick-release clamp clean with a dry cloth to remove any contamination.

## GUARANTEE

ALL REALLY RIGHT STUFF BRAND PRODUCTS ARE GUARANTEED TO THE ORIGINAL PURCHASER TO BE FREE OF DEFECTS IN MATERIALS OR WORKMANSHIP FOR FIVE (5) YEARS FROM THE DATE OF PURCHASE. PRODUCTS WILL BE REPAIRED OR REPLACED AT OUR OPTION.

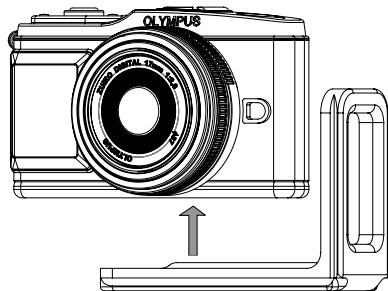
®, ™, © 2017 Really Right Stuff, LLC. All rights reserved.

## INSTALL

### Position Flange and Select a Slot

Before installing the screw in the plate, fit plate to bottom of camera as shown below. There are four separate slots with screw threads at one end of the slots in which you can insert the captive screw. Take note of which screw slot most closely aligns with the camera's tripod socket when the MC-L is positioned as close as possible to the side of the camera while still allowing access to any ports, switches or latches needed to operate the camera after the MC-L plate is installed.

### Install Captive Screw into Threaded Slot



After selecting a slot, use hex key to install screw. Screw it into the threaded end of the slot; screw should freely slide in slot. Be sure not to cross-thread the plate when removing or replacing the captive screw. Loosely install screw into camera's tripod socket and adjust plate so flange is snug against rear of camera. Fully tighten screw.

## REMOVAL

When removing the plate, take care to pull the plate away from the body of the camera as the captive screw is being loosened. This prevents the threads of the captive screw from damaging the slot or threaded socket in the plate. If the screw needs to be removed from the plate after it is removed from the camera, locate the screw at the threaded end of the slot and carefully guide the screw threads into female threads in the plate.