



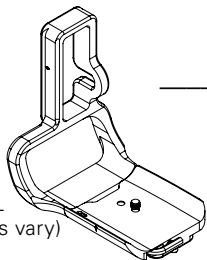
Really Right Stuff®

1146 Farmhouse Lane, San Luis Obispo, CA 93401 USA

1-805-528-6321 | 1-888-777-5557

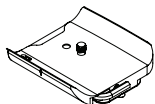
www.ReallyRightStuff.com

MODULAR SLIDING L-PLATES



B1DX-L
(models vary)

PLATE ID



B1DX
(models vary)

Conventional Plate or L-Plate

Modular sliding L-plates consist of two pieces: a conventional plate and an L-component. The conventional plate can be used alone, or the L-component can be installed to create the L-plate.

Plates Include:

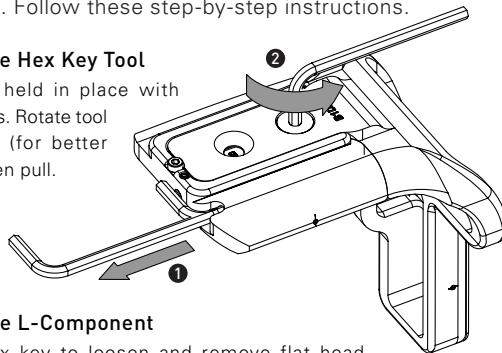
Each conventional plate comes with one each B107 mounting screw, safety stop screw, 5/32" hex key, M2.5 hex key. L-Plates also includes one flat head 1/4"-20 x 7/16" mounting screw.

INSTALLATION

Follow steps 1 & 3 to install conventional plate. If you purchased the L-plate, you will first need to disassemble the two pieces. Follow these step-by-step instructions.

1 Remove Hex Key Tool

Tool is held in place with magnets. Rotate tool slightly (for better grip) then pull.

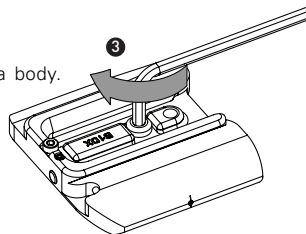


2 Remove L-Component

Use hex key to loosen and remove flat head mounting screw.

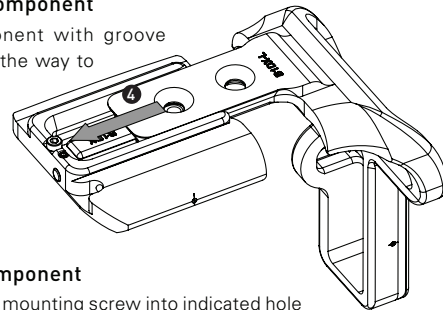
3 Install Plate

Fit plate to bottom of camera body. Use hex key to tighten captive mounting screw.



4 Position L-Component

Align L-component with groove and push it all the way to the end.



5 Secure L-Component

Insert flat head mounting screw into indicated hole and use hex key to firmly install and tighten.

6 Store Hex Key Tool

Insert hex key completely into storage chamber and align with magnet.

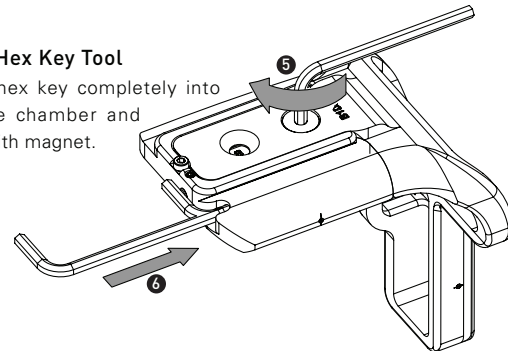


PLATE REMOVAL

When removing the plate, **take care to pull the plate away from the body of the camera as the captive screw is being loosened.** This prevents the threads of the captive screw from damaging the slot or threaded socket in the plate. If the screw needs to be removed from the plate after it is removed from the camera, locate the screw at the threaded socket or threaded end of the slot and carefully guide the screw threads into female threads in the plate.

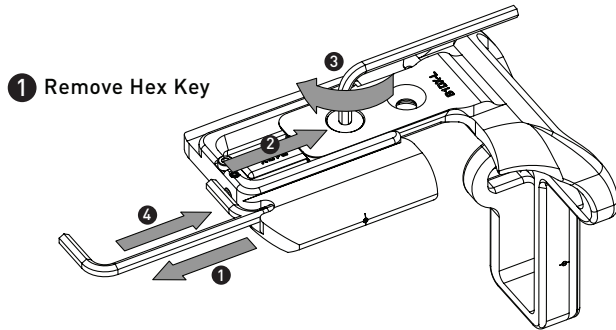
GUARANTEE

ALL REALLY RIGHT STUFF BRAND PRODUCTS ARE GUARANTEED TO THE ORIGINAL PURCHASER TO BE FREE OF DEFECTS IN MATERIALS OR WORKMANSHIP FOR FIVE (5) YEARS FROM THE DATE OF PURCHASE. PRODUCTS WILL BE REPAIRED OR REPLACED AT OUR OPTION.

® , ™, © 2014 Really Right Stuff, LLC. All rights reserved.

NEED ADDITIONAL PORT CLEARANCE?

The L-component can be shifted to an extended position. The extended position allows greater clearance on the side of the camera for use of cables (USB, HDMI, etc). To secure L-plate in the extended position, follow these steps:



1 Remove Hex Key

2 Re-Position L-Component Outward

Remove flat head mounting screw and line up secondary hole with socket underneath.

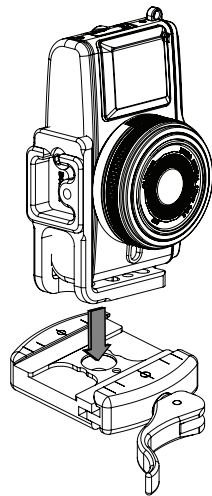
3 Firmly Tighten Mounting Screw

4 Store Hex Key

MOUNTING

Lever-Release Clamp

If you have a Really Right Stuff lever-release clamp, simply open the lever to the fully open position and top load your gear. Close lever halfway shut and plate can still be shifted for final positioning. Close lever shut to lock plate in place.



Screw-Knob Clamp

If you have a screw-knob clamp, you may top load **or** side load your gear, but side loading is faster. To release, turn knob counterclockwise one-half turn and slide your gear out of the clamp.

