



Really Right Stuff®

1146 Farmhouse Lane, San Luis Obispo, CA 93401 USA

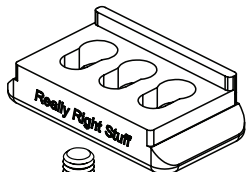
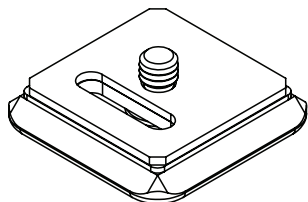
1-805-528-6321 | 1-888-777-5557

www.ReallyRightStuff.com

POINT-n-SHOOT PLATES

□ BPnS

□ BPnS-S



SPECIFICATIONS:

Weight of BPnS..... 0.5 ounces / 14g

Dimensions of BPnS..... 1.5" x 1.5" / 38mm x 38mm

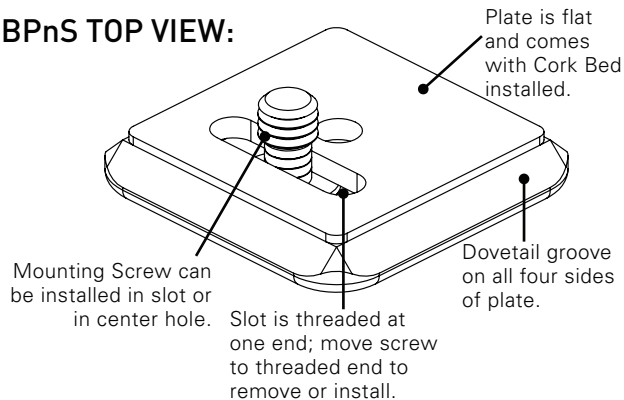
Weight of BPnS-S..... 0.3 ounces / 9g

Dimensions of BPnS-S..... 1.5" x 0.8" / 38mm x 20mm

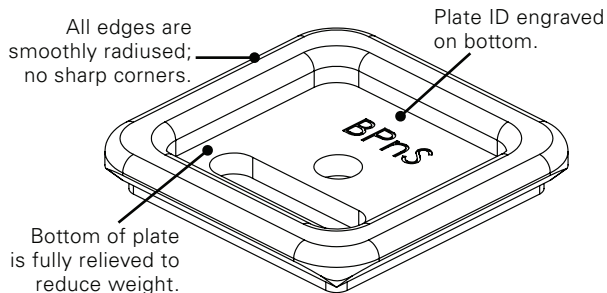
Plates come with one each B104 1/4"-20 mounting screw, 5/32" hex key.

BPnS comes with installed cork bed. BPnS-S comes with optional gasket.

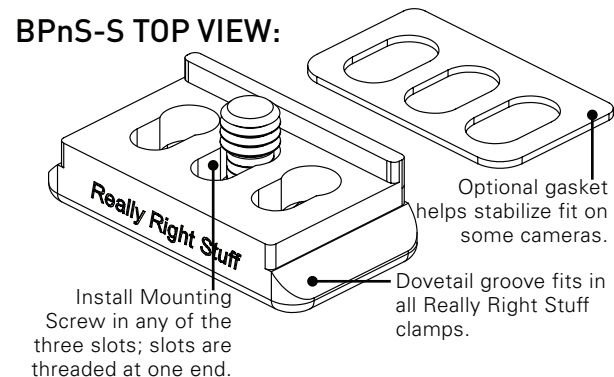
BPnS TOP VIEW:



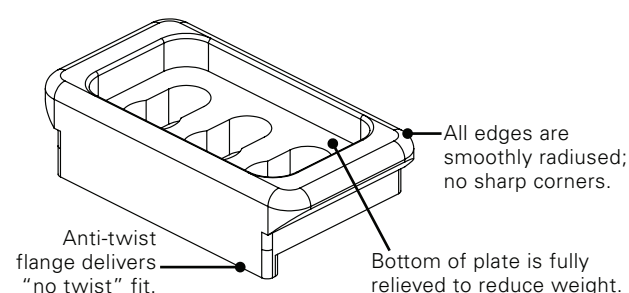
BPnS BOTTOM VIEW:



BPnS-S TOP VIEW:



BPnS-S BOTTOM VIEW:



MAINTENANCE

General Care

Before installing plate, wipe off bottom of camera to prevent trapping dirt or grit. When installing the mounting screw, note that **slots are threaded at only one end. Install screw first at the threaded end, then it will slide easily in the slot for final positioning.** Periodically check mounting screw to make sure it is tightly installed.

Cleaning

Periodically wipe plate and quick-release clamp clean with a dry cloth to remove any contamination.

GUARANTEE

ALL REALLY RIGHT STUFF BRAND PRODUCTS ARE GUARANTEED TO THE ORIGINAL PURCHASER TO BE FREE OF DEFECTS IN MATERIALS OR WORKMANSHIP FOR FIVE (5) YEARS FROM THE DATE OF PURCHASE. PRODUCTS WILL BE REPAIRED OR REPLACED AT OUR OPTION.

®, ™, © 2014 Really Right Stuff, LLC. All rights reserved.

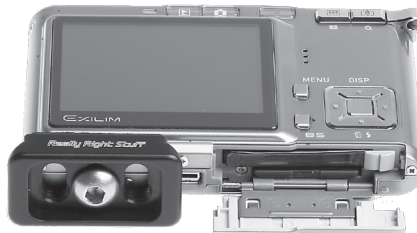
GASKET: get a good grip on your camera

BPnS Point-n-Shoot Plate: Since the BPnS plate is flat (no anti-twist flange), a cork gasket is already installed. This gives the plate a good grip on the camera and helps prevent twisting.

BPnS-S Point-n-Shoot Slim Plate: The BPnS-S has a flange, or ridge, that snugs up against your camera body to prevent twisting. It also comes with an optional gasket.

- **When to Use:** The gasket is unnecessary if the plate fits onto the camera as is. However, sometimes the bottom of the camera has bumps or ridges that make it uneven; this prevents the camera from making complete contact with the plate. In these cases, the gasket is necessary.
- **How to Install:** Remove plastic backing and the three punchouts from the slots. Carefully align gasket and press it firmly onto the plate.

When properly installed, plate will not interfere with battery/media doors.



INSTALL: choose screw placement

BPnS: Center Hole vs Slot

In most cases, simply mount the plate to the camera using the center hole. Use the provided hex key to install the screw snugly into the camera's tripod socket.

If plate blocks battery door or access to media ports, opt for the slot. Use hex key to remove screw from the center hole. Screw it into the threaded end of the slot; screw should freely slide in slot. Loosely install screw into camera's tripod socket. Slide and/or rotate the plate to provide optimum clearance, then fully tighten the screw.

BPnS-S: Position Flange and Select a Slot

Flange can be seated to the camera's front or back, and screw can be installed in any of the 3 slots. Before installing the screw, determine the best fit and orientation of the plate to provide a snug fit with the best clearance.

After selecting a slot, use hex key to install screw. Screw it into the threaded end of the slot; screw should freely slide in slot. Loosely install screw into camera's tripod socket and adjust plate so flange is snug against side of camera. Fully tighten screw.