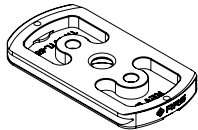




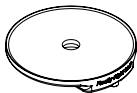
1146 Farmhouse Lane, San Luis Obispo, CA 93401 USA
 1-805-528-6321 | 1-888-777-5557
 www.ReallyRightStuff.com

TRIPOD HEAD DOVETAIL

□ TH-DVTL-55



□ TH-DVTL-40



SPECIFICATIONS:

Diameter TH-DVTL 55 2.9-inches / 73mm
 (accepts base diameter that does not exceed 2.75-inches / 70mm)

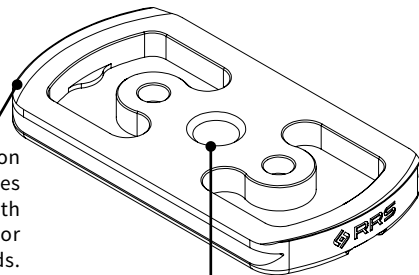
Diameter TH-DVTL 40 2.1-inches / 53mm
 (accepts base diameter that does not exceed 2.00-inches / 50mm)

Weight DVTL-55 / DVTL- 40 2.1oz (59g) / 1.3oz (37g)

Material 6061-T6 anodized aluminum

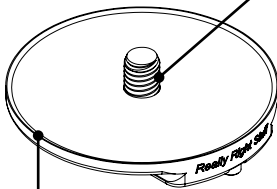
TOP VIEW

Thin perimeter lip on TH-DVTL-55 creates seamless fit with RRS BH-55, PG-02, or FG-02 heads.



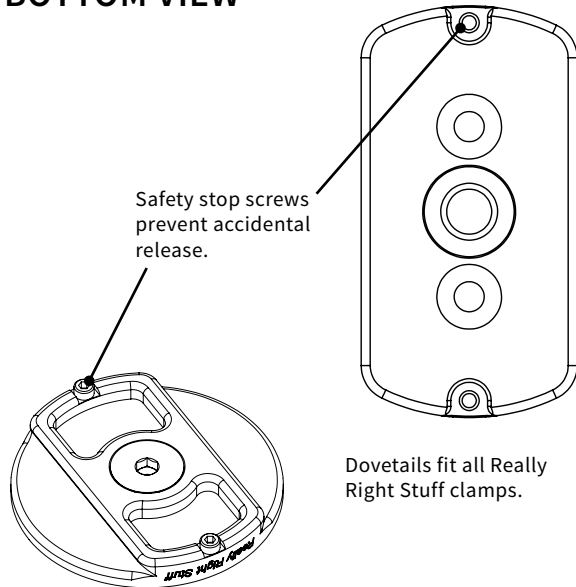
Non-threaded hole accepts 3/8" screw (included).

Thin perimeter lip on TH-DVTL-40 creates seamless fit with RRS BH-40 ballhead.



BOTTOM VIEW

Safety stop screws prevent accidental release.



Dovetails fit all Really Right Stuff clamps.

MAINTENANCE

GENERAL CARE

The TH-DVTL is finished with a protective anodize plating that protects it from corrosion and mild abrasion. It will not protect it from scraping or dropping on rocks/concrete/etc. Take precautions to prevent trapping sand or grit between the TH-DVTL and your tripod head.

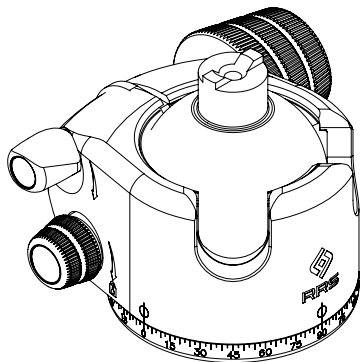
GUARANTEE

ALL REALLY RIGHT STUFF BRAND PRODUCTS ARE GUARANTEED TO THE ORIGINAL PURCHASER TO BE FREE OF DEFECTS IN MATERIALS OR WORKMANSHIP FOR FIVE (5) YEARS FROM THE DATE OF PURCHASE. PRODUCTS WILL BE REPAIRED OR REPLACED AT OUR OPTION.

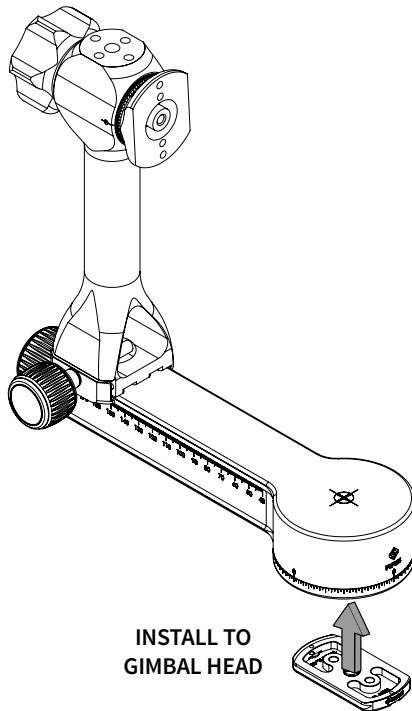
INSTALLATION

Wipe off bottom of tripod head to prevent trapping dirt or grit. Line up the TH-DVTL and use included hex key to firmly tighten mounting screw. Flush mount fit will be seamless.

Add the TH-DVTL to your tripod head to quickly swap it between different mounts.



INSTALL TO
BALLHEAD



INSTALL TO
GIMBAL HEAD