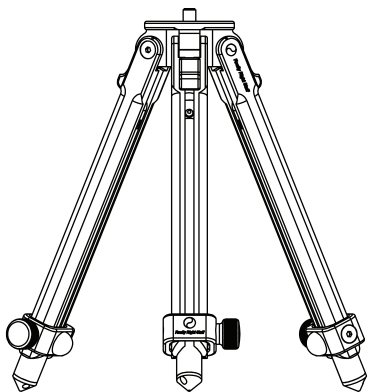


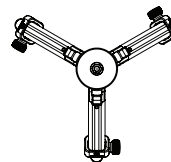
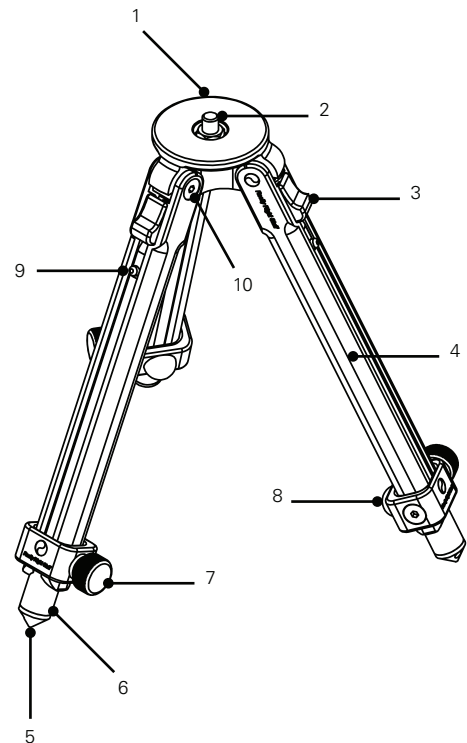
TP-243 GROUND POD



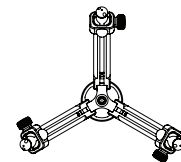
THANK YOU for choosing a Really Right Stuff TP-243 Ground Pod is a super-robust, field strippable ground-level tripod designed primarily for ground-level and table-top macro photography and heavy telephoto lens use. Its compact size also makes it an ideal travel pod.

NOMENCLATURE/KEY FEATURES

- 1. Platform:** 2.675" diameter nicely accommodates any large/medium size tripod head.
- 2. Tripod Head Stud:** 3/8"-16 Stainless Steel
- 3. Leg Position Stop:** Legs stop at 3 angles including fully splayed which yields an overall minimum tripod height of only 1.9".
- 4. Upper Leg Section**
- 5. Stainless Steel Tip:** Reversible Lower Leg Sections have a stainless steel point at one end for rugged outdoor use and a rubber tip on the other end for indoor/table-top use. Spring-loaded stop-button is depressed for easy removal.
- 6. Lower Leg Section**
- 7. Leg Extension Lock Knob:** Two section legs are quick to extend, retract or reverse using one easy-grip lock knob per leg.
- 8. Rubber Bumper:** Strategically placed on the inside of each leg to provide protection and traction when legs are fully splayed.
- 9. Stop Button: Depress to remove Lower Leg Section.**
- 10. Stainless Steel Screw:** Black zinc plated to be unobtrusive; Hex socket accepts included 5/32" hex key for fast adjustment and disassembly.

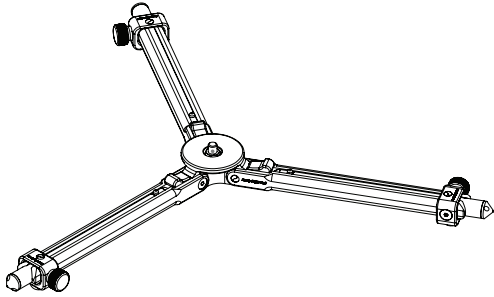


TOP VIEW

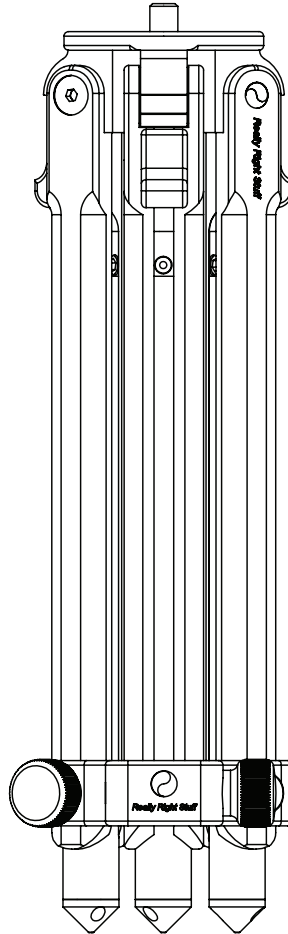


BOTTOM VIEW

FLAT VIEW



COMPACT VIEW



USE AND CARE

The **Leg Extension Lock Knob** (LEL Knob) is captive, meaning it cannot come off accidentally in the field. Please do not over-loosen the knob and defeat the captive function.

Lubrication: There are self-lubricating brass bearings where the legs attach to the platform. These do not require lubrication. A SMALL amount of light machine oil may be used to lubricate the spring-loaded, sliding **Leg Position Stops** and the **LEL Knobs**. Be sure to wipe off any excess.

If the legs become fouled, do not extend/retract the **Lower Leg Sections** as this may damage the finish. Dry dust, dirt or sand can be blown off and/or gently wiped off with a soft cloth. Mud or salt water should be washed off with clean, fresh water and then thoroughly dried.

If using the tripod in wet, muddy or sandy conditions, be sure to position the **Stainless Steel Tips** on the lower leg section to contact the ground. If the rubber leg ends are used in these conditions, the spring-loaded Stop Button mechanism would quickly become fouled.

A few obvious admonitions: don't drop it; don't bang it against rocks or abrasive surfaces; don't use it for uses it wasn't intended for.

- * All metal parts are entirely CNC machined 6061 T6 aluminum or stainless steel.
- * Aluminum is Type III hard anodized for maximum abrasion resistance.
- * Custom Really Right Stuff protective bag included.
- * Five year warranty on parts & workmanship to the original purchaser.

GUARANTEE

ALL REALLY RIGHT STUFF BRAND PRODUCTS ARE GUARANTEED TO THE ORIGINAL PURCHASER TO BE FREE OF DEFECTS IN MATERIALS OR WORKMANSHIP FOR FIVE (5) YEARS FROM THE DATE OF PURCHASE. PRODUCTS WILL BE REPAIRED OR REPLACED AT OUR OPTION.