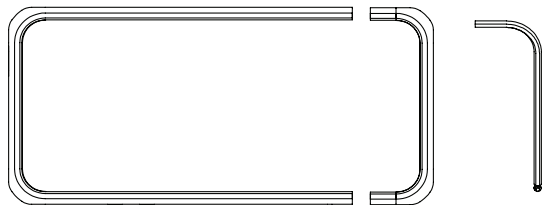




# XC-iP5 CASE FOR THE iPhone® 5

Color

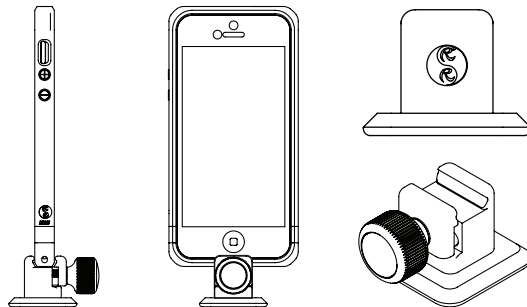


## SPECIFICATIONS:

- Length ..... 4.1" / 131mm
  - Width ..... 2.6" / 65mm
  - Thickness ..... 0.4" / 10mm
  - Weight ..... 1.0 oz / 27g
- This case was designed to only fit and work with the iPhone® 5.

Includes: Upper Piece, Lower Piece, (1) 0.05" Hex Key, (6) #0-80 Socket Head Cap Screws

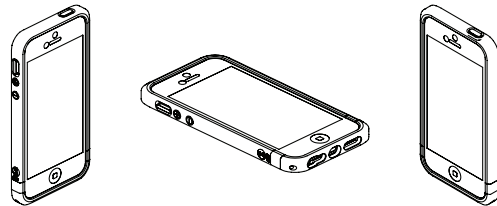
## MOUNTING ACCESSORIES:



The XC-iP5 iPhone® case has beveled edges which allow for clamping with our B2-XJ clamps. These clamps are **sold separately** and provide multiple options for mounting to ballheads or other accessories to aid your photography or for other applications.

- 1 Open the clamp to the fully open position by turning the knob in the counter-clockwise direction.
- 2 Insert any side of the XC-iP5 case into the clamp as shown, making sure the case is fully seated within the clamp.
- 3 Turn the knob in the clockwise direction to securely clamp the jaws around the XC-iP5 case.

Shown here being mounted in our B2-XJ1 clamp. Other models are available.



**Caution:** Although we have tested the case's durability, the case was not designed to protect from damage such as dropping.

## GUARANTEE

ALL REALLY RIGHT STUFF BRAND PRODUCTS ARE GUARANTEED TO THE ORIGINAL PURCHASER TO BE FREE OF DEFECTS IN MATERIALS OR WORKMANSHIP FOR FIVE (5) YEARS FROM THE DATE OF PURCHASE. PRODUCTS WILL BE REPAIRED OR REPLACED AT OUR OPTION.

THIRD PARTY MARKS REFERENCED ARE THE PROPERTY OF THEIR RESPECTIVE OWNERS.

®,™,© 2014 REALLY RIGHT STUFF, LLC. ALL RIGHTS RESERVED.

1146 FARMHOUSE LANE, SAN LUIS OBISPO, CA 93401 USA

1-805-528-6321 | 1-888-777-5557

WWW.REALLYRIGHTSTUFF.COM

## INSTALLATION DIRECTIONS:

