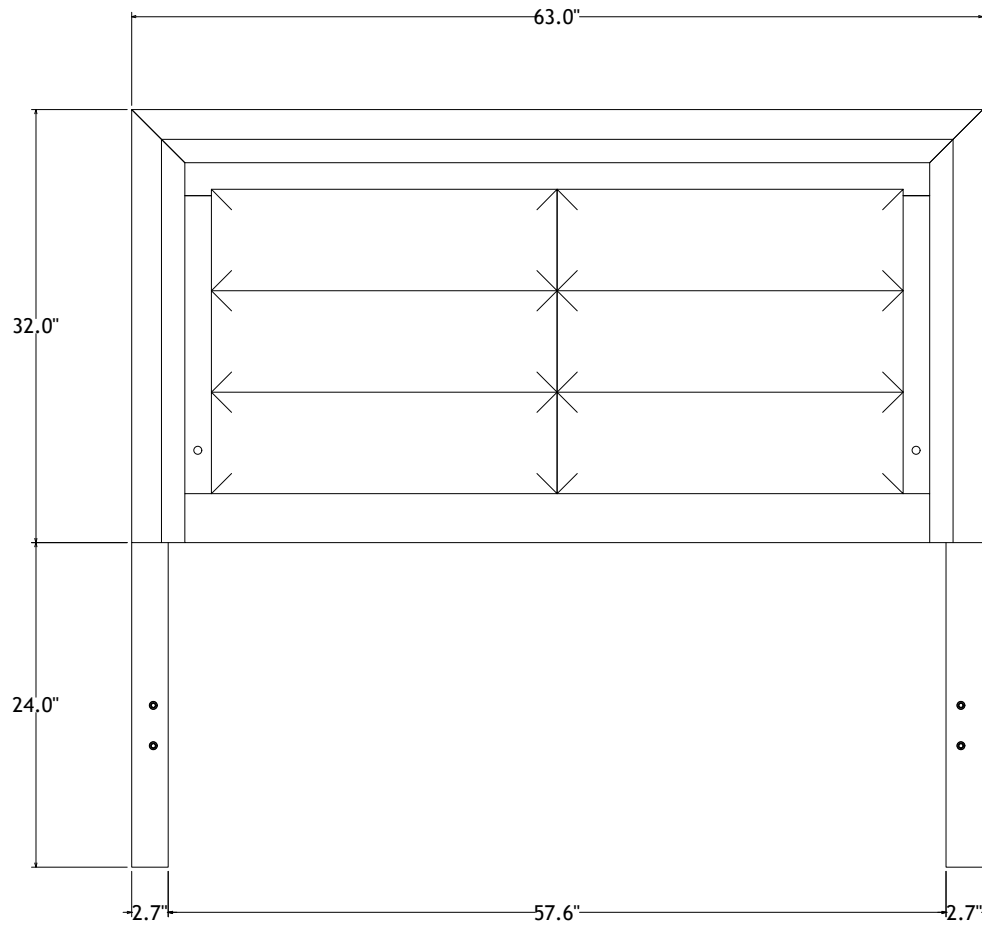
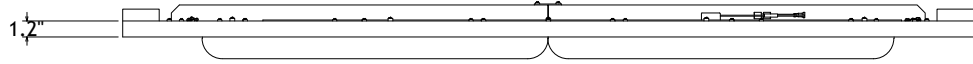
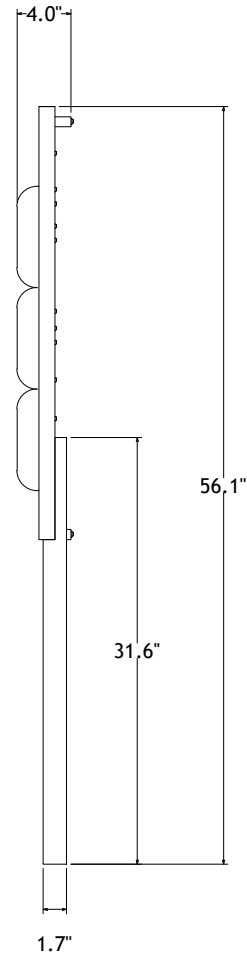


Nolan Queen Bed

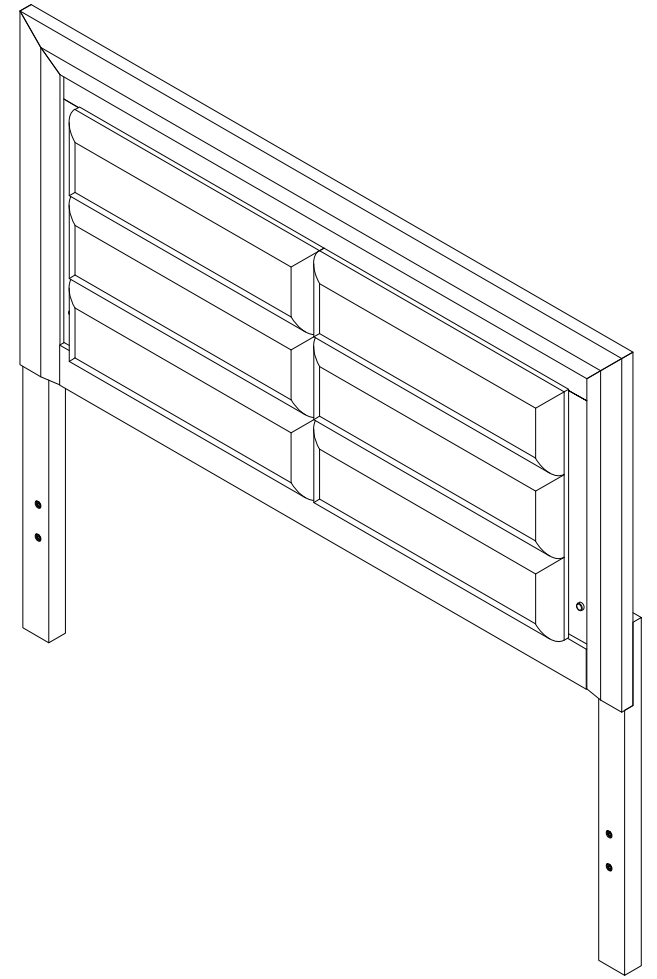
Top View



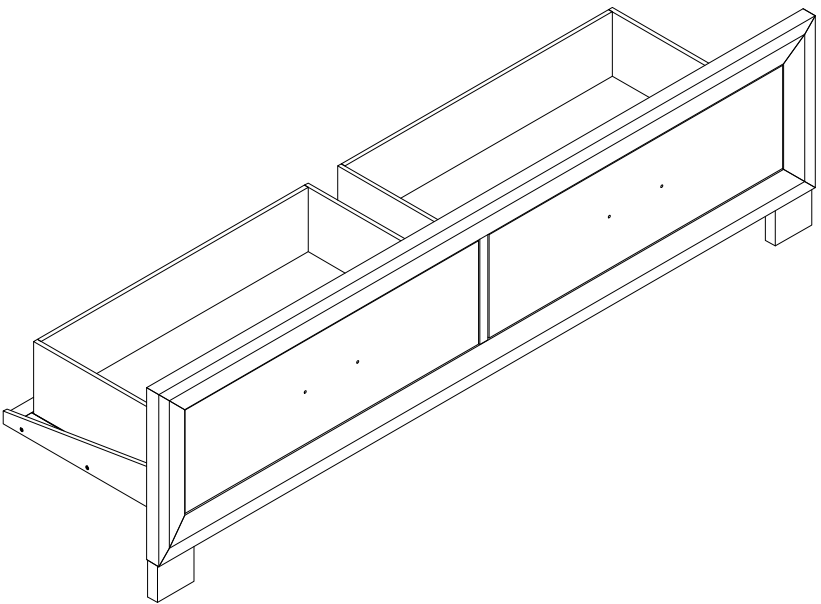
Front View



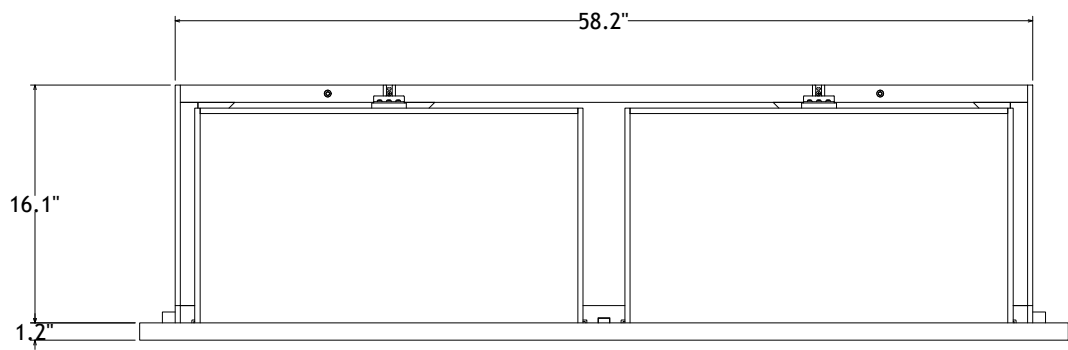
Side View



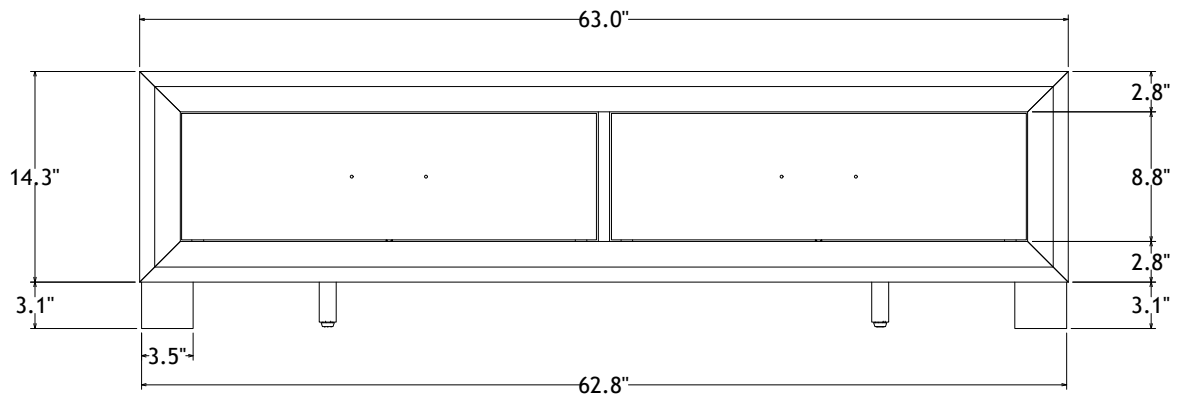
Nolan Queen Bed FB



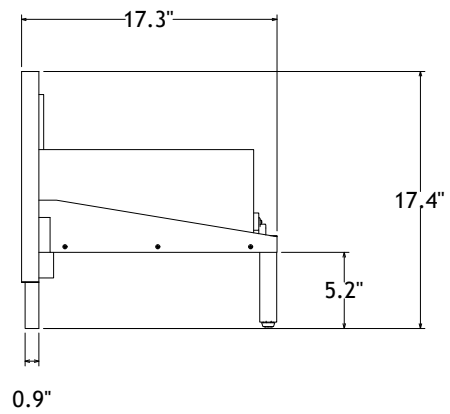
Top View



Front View

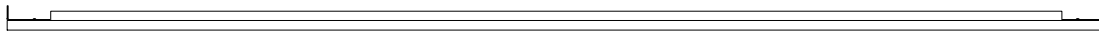


Side View

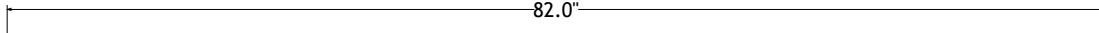


Nolan QB/KB Side Rails

Top View



82.0"



11.8"

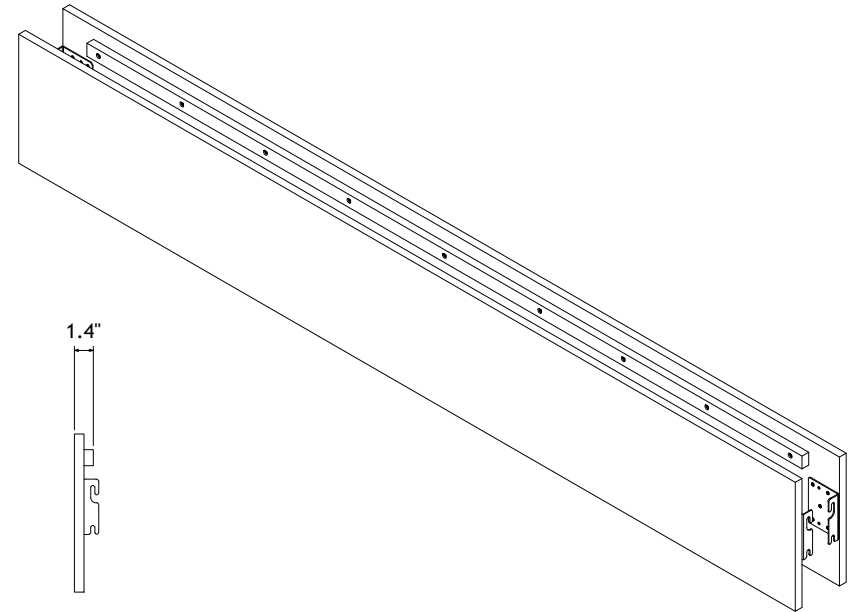


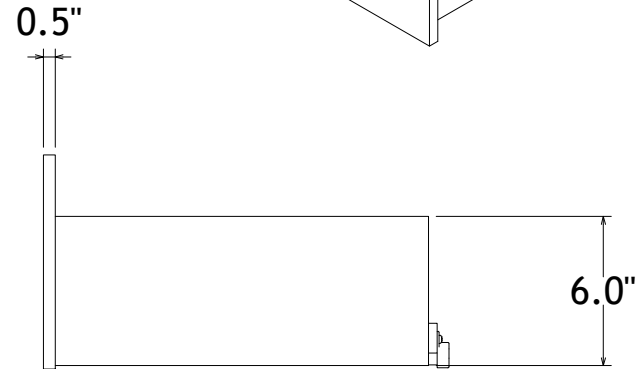
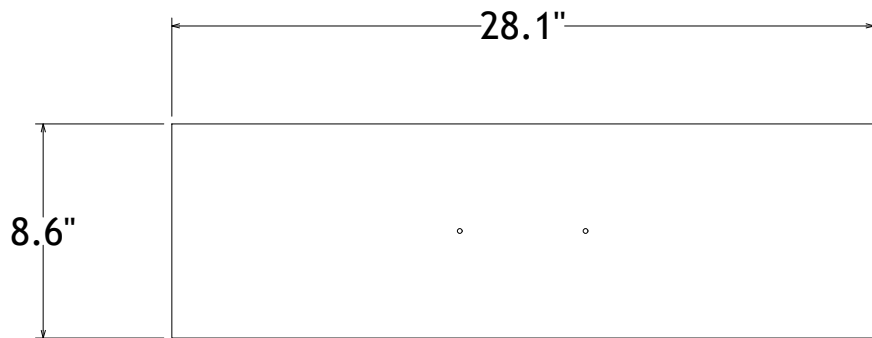
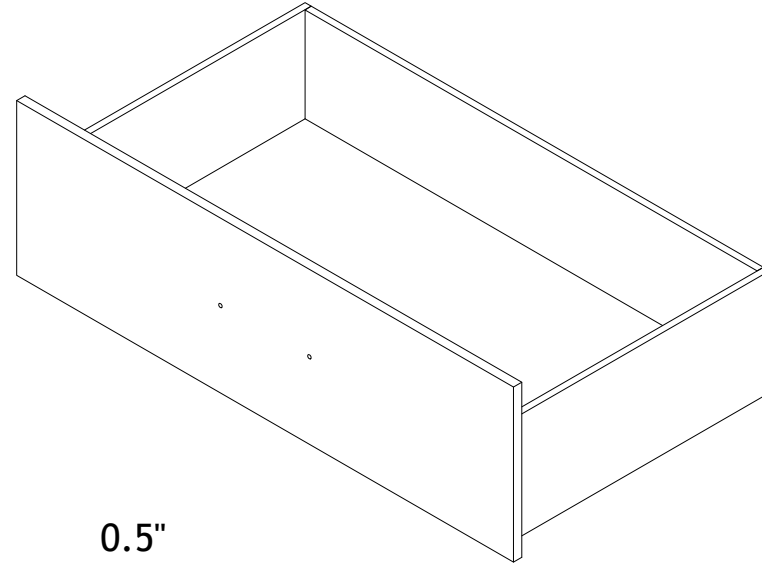
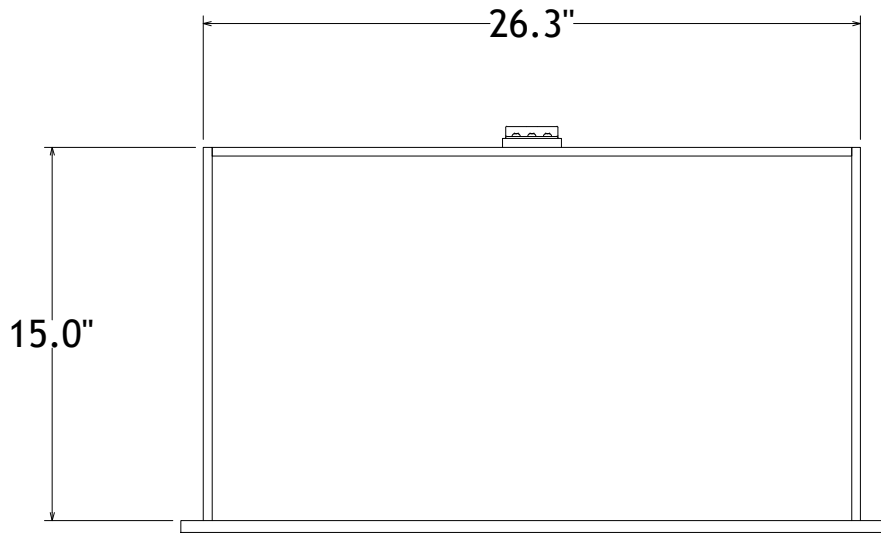
Front View

1.4"



Side View





Nolan Queen Bed Drawer