

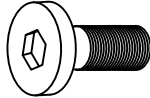
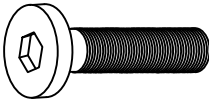
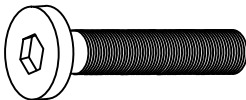
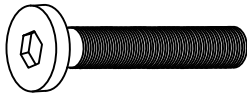
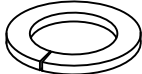
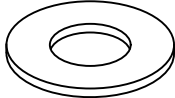


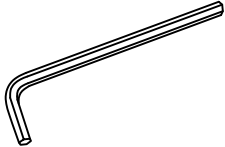
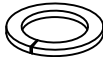
TB-LISBON ASSEMBLY INSTRUCTION

Thank you for purchasing this quality product. Be sure any small parts and hardware not for children under 3 years. Adult assembly required.

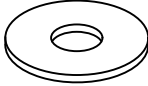
"DO NOT TIGHTEN SCREWS UNTIL COMPLETELY ASSEMBLED"

"DO NOT OVERTIGHT ANY HARDWARE"

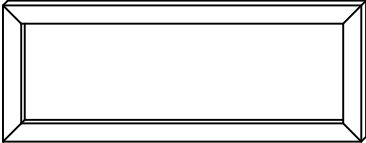


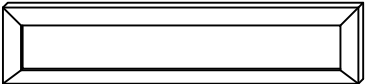
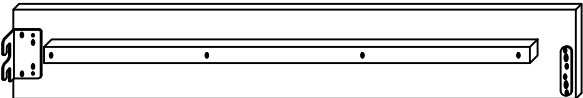
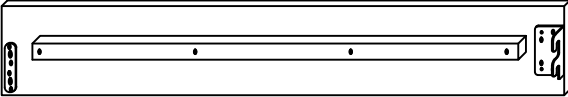
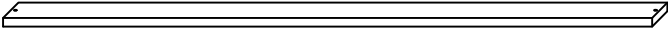
HARDWARE LIST

ITEM	DESCRIPTION	DRAWING	QTY
A	JCBB SCREW (M8 x 16MM)		8 PCS
B	JCBB SCREW (M8 x 25MM)		8 PCS
C	JCBB SCREW (M8 x 40MM)		8 PCS
D	JCBC SCREW (M6 x 35MM)		4 PCS
E	SPRING WASHER (M8 x 14MM)		16 PCS
F	FLAT WASHER (M8 x 22MM)		16 PCS
G	CSK C/B SCREW (M4 x 32MM)		8 PCS
H	ALLEN KEY (M4 x 65MM)		1 PC
I	ALLEN KEY (M5 x 65MM)		1 PC
J	SPRING WASHER (M6 x 13MM)		4 PCS

TB-LISBON ASSEMBLY INSTRUCTION

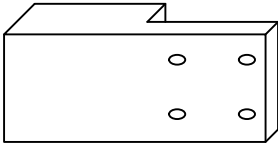
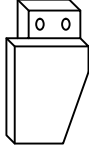
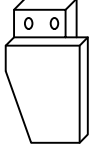
ITEM	DESCRIPTION	DRAWING	QTY
K	FLAT WASHER (M6 x 19MM)		4 PCS

PARTS LIST

ITEM	DESCRIPTION	DRAWING	QTY
1	HEADBOARD		1 PC
2	HEADBOARD LEG (R)		1 PC
3	HEADBOARD LEG (L)		1 PC
4	FOOTBOARD		1 PC
5	SIDE RAIL (i)		2 PCS
6	SIDE RAIL (ii)		2 PCS
7	SLAT		4 PCS

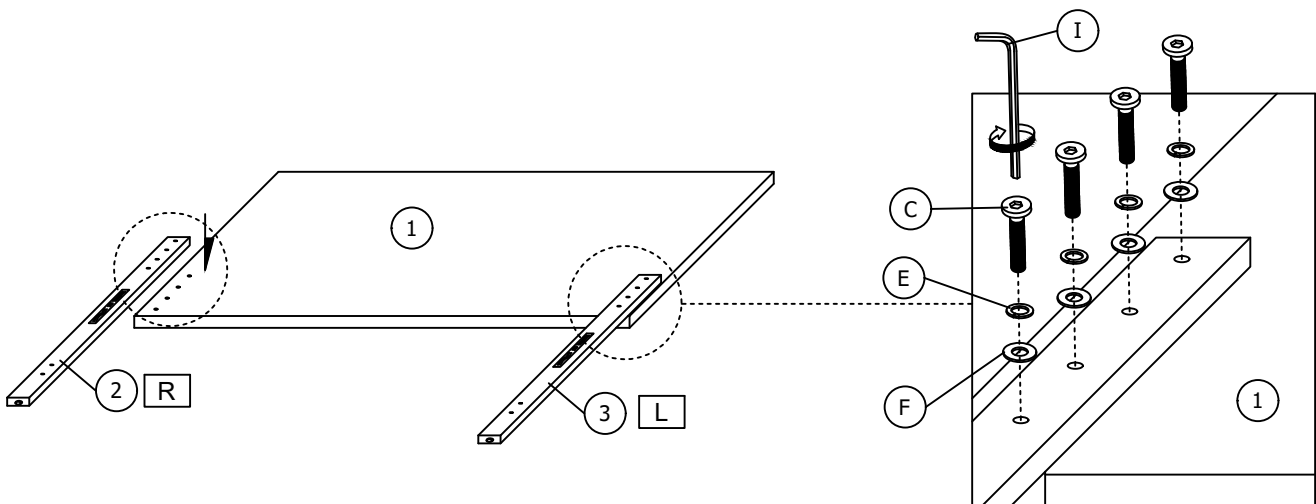
TB-LISBON ASSEMBLY INSTRUCTION

PARTS LIST

ITEM	DESCRIPTION	DRAWING	QTY
9	SIDE RAIL SUPPORT LEG		2 PCS
10	FOOTBOARD LEG (L)		1 PC
11	FOOTBOARD LEG (R)		1 PC

ASSEMBLY STEPS

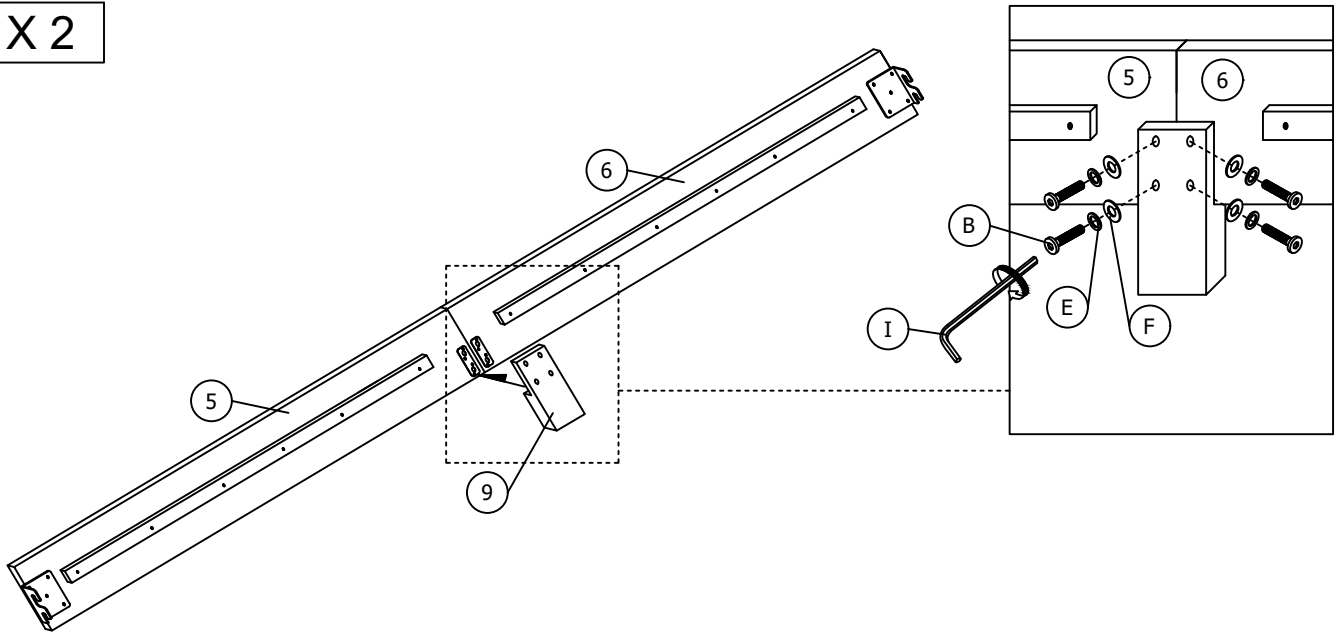
STEP 1



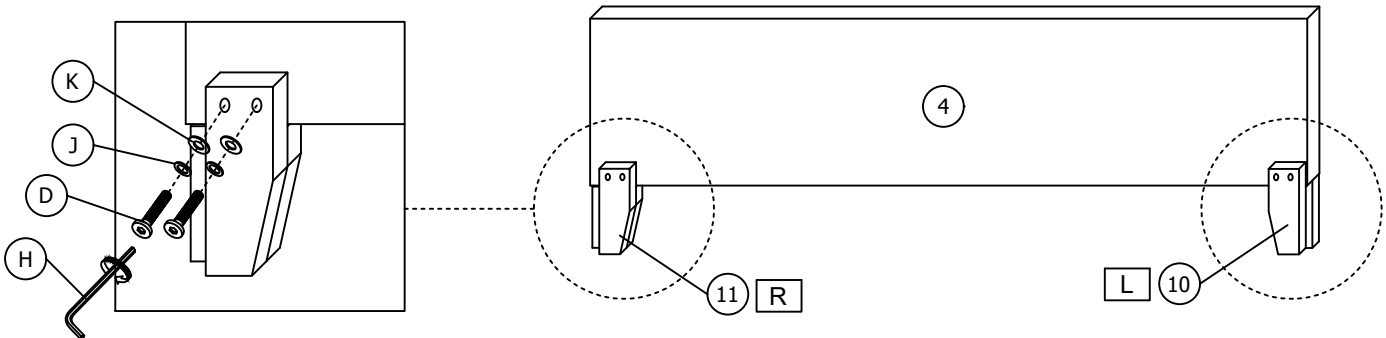
TB-LISBON ASSEMBLY INSTRUCTION

STEP 2

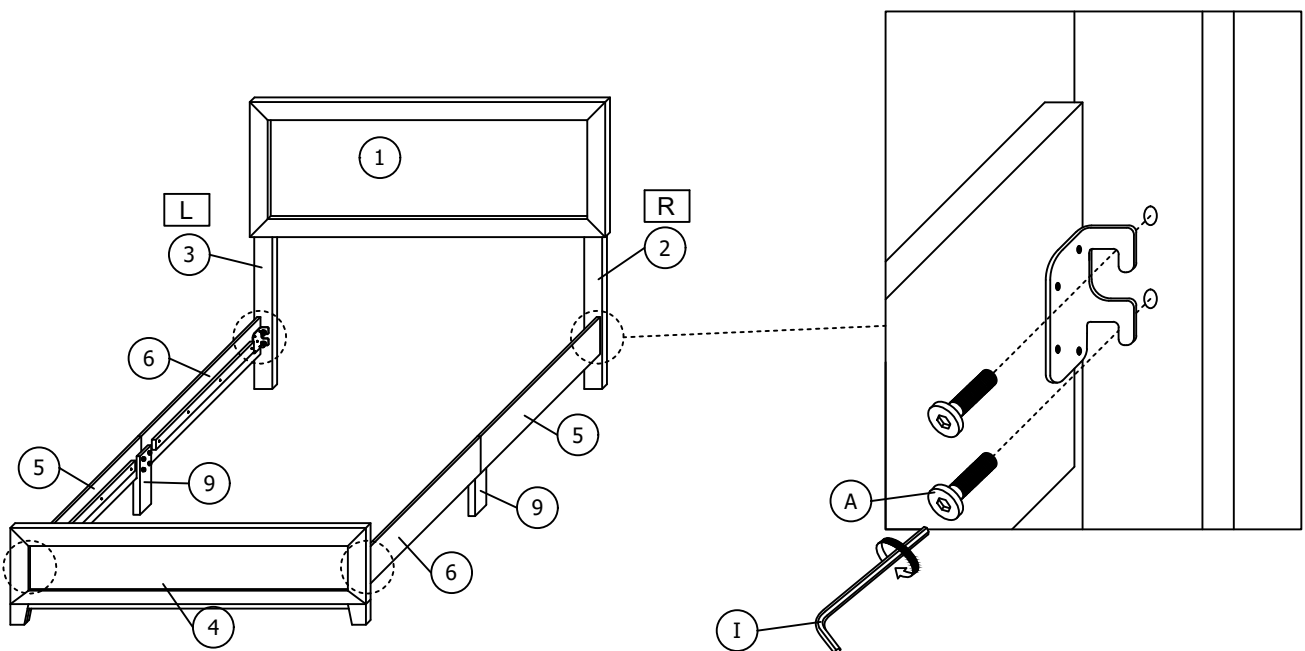
X 2



STEP 3



STEP 4

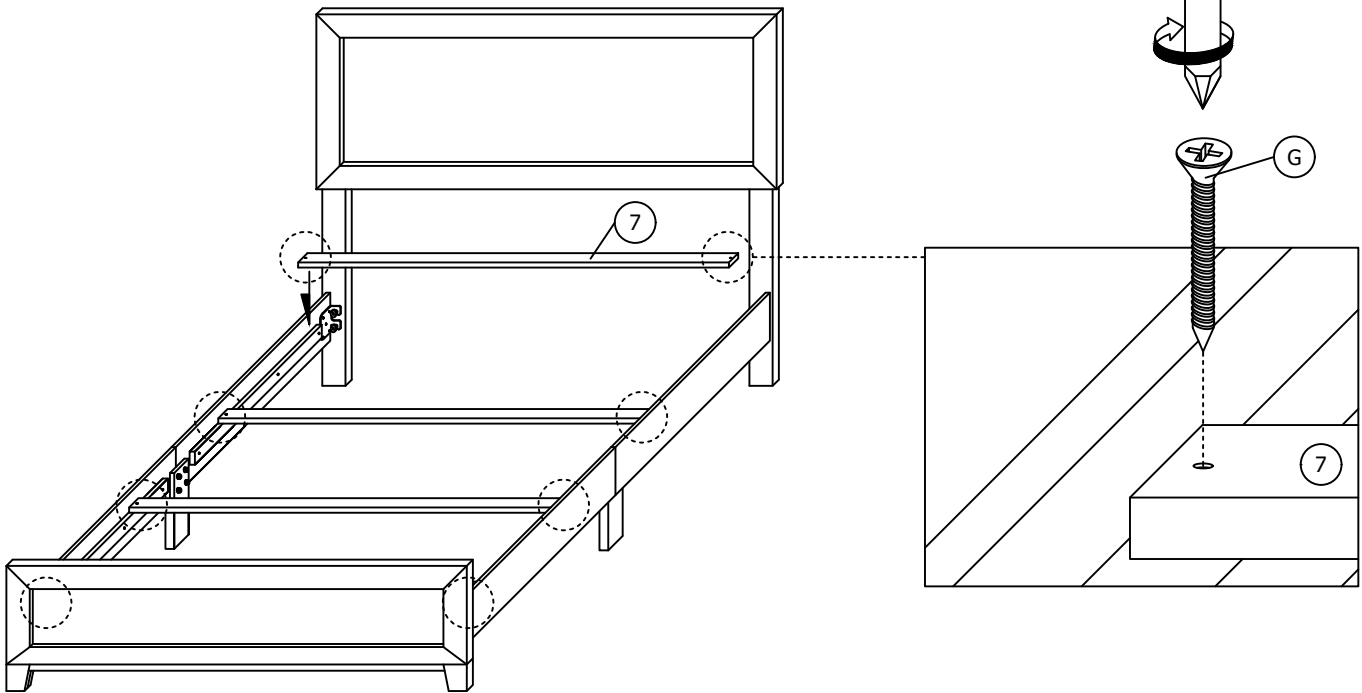
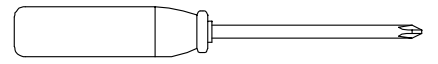


TB-LISBON ASSEMBLY INSTRUCTION

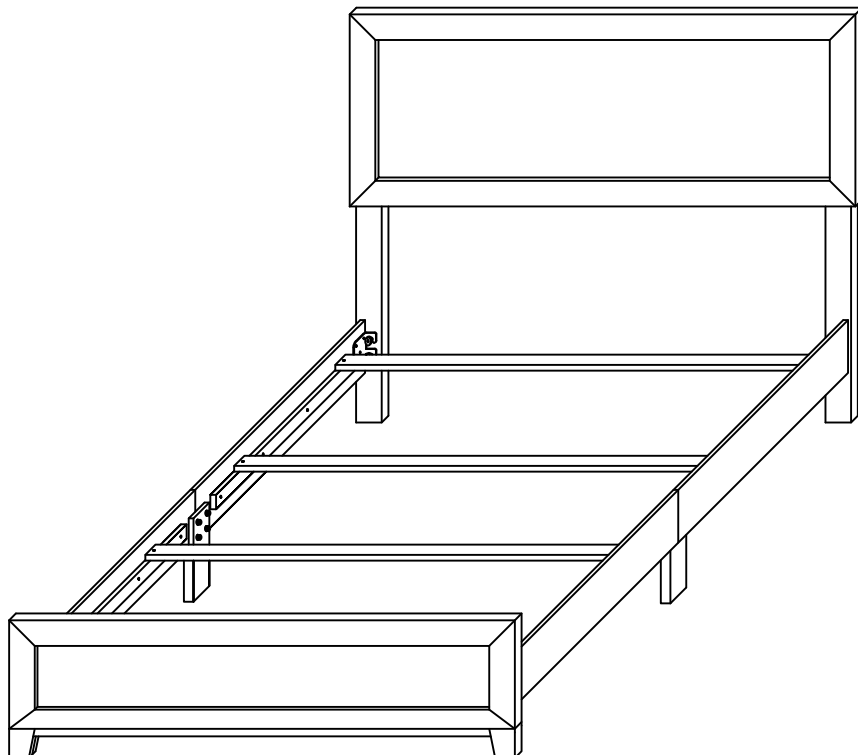
STEP 5

ASSEMBLY TOOLS REQUIRED

Screwdriver (not provide)



STEP 6



ASSEMBLY COMPLETED