

# artos<sup>®</sup>

## F201-5

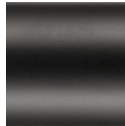
## INSTALLATION GUIDE

quarto 3 inch 3-hole wall  
mount tub filler

BRUSHED NICKEL(BN)



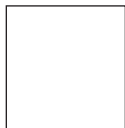
BLACK(BK)



CHROME(CH)



WHITE(WH)



POLISHED NICKEL(PN)



# artos<sup>®</sup>

## F201-5

quarto 3 inch 3-hole wall  
mount tub filler

## OPERATING SPECIFICATIONS

for associated valves | F906A-V0



### OPERATING PRESSURE

Minimum: 15 psi  
Maximum: 125 psi

### FLOW CAPACITY

5.6USGPM@60 psi (each valve)  
TOTAL= 11.2USGPM

### INLET/OUTLET

1/2" Male NPT

### STANDARDS

ASSE 1016.ASME A112.18.1/CSA B123.1 Certified

### CODES

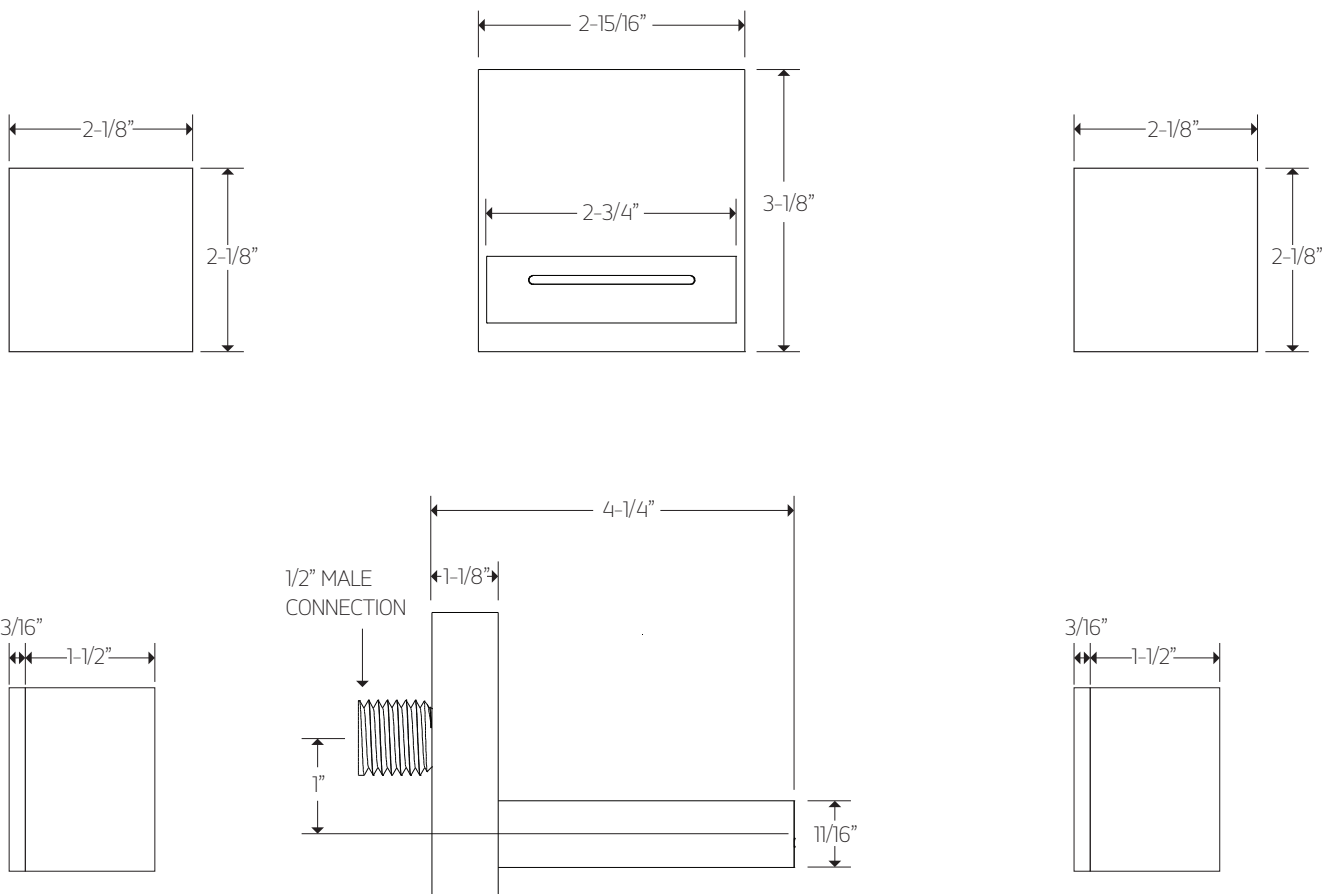
CUPC Approved

# artos<sup>®</sup>

## F201-5

## PRODUCT DIMENSIONS

quarto 3 inch 3-hole wall  
mount tub filler

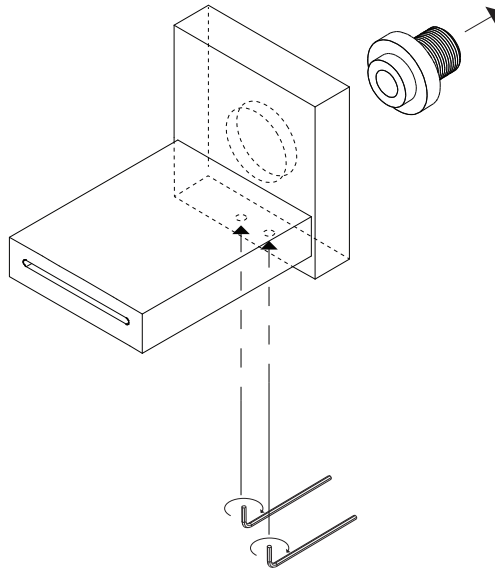


## F201-5

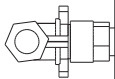
quarto 3 inch 3-hole wall  
mount tub filler

### STEP 1

LOOSEN (2) SET SCREW WITH ALLEN WRENCH TO REMOVE TUB FILLER CONNECTOR, SET ASIDE



### STEP 2



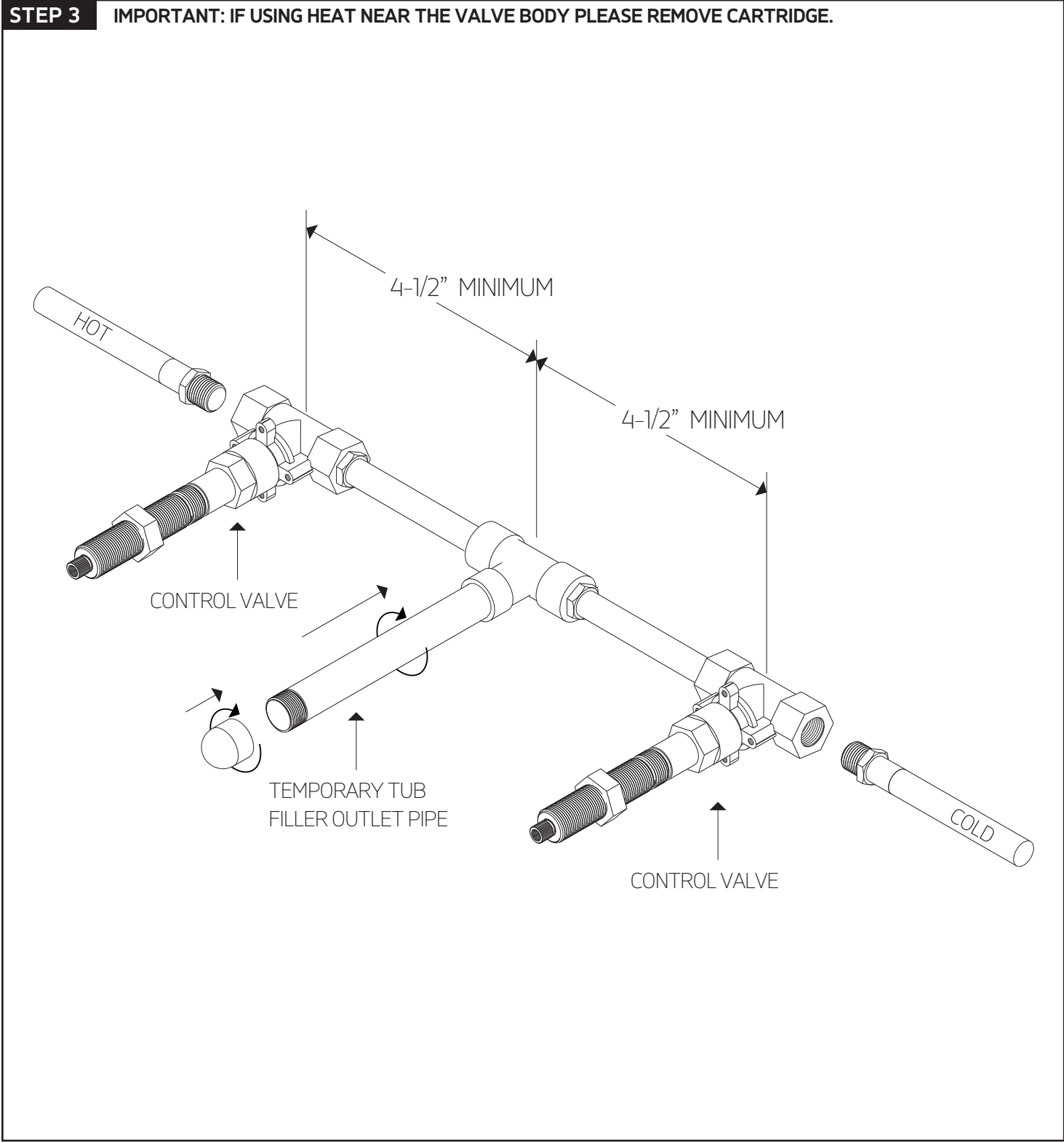
FRONT OF VALVES TO  
FINISH WALL SURFACE  
**MAX= 3"**  
**MIN= 1"**

**1-1/2"**  
HOLES THROUGH  
FINISHED WALL



# INSTALLATION STEPS

**STEP 3** IMPORTANT: IF USING HEAT NEAR THE VALVE BODY PLEASE REMOVE CARTRIDGE.

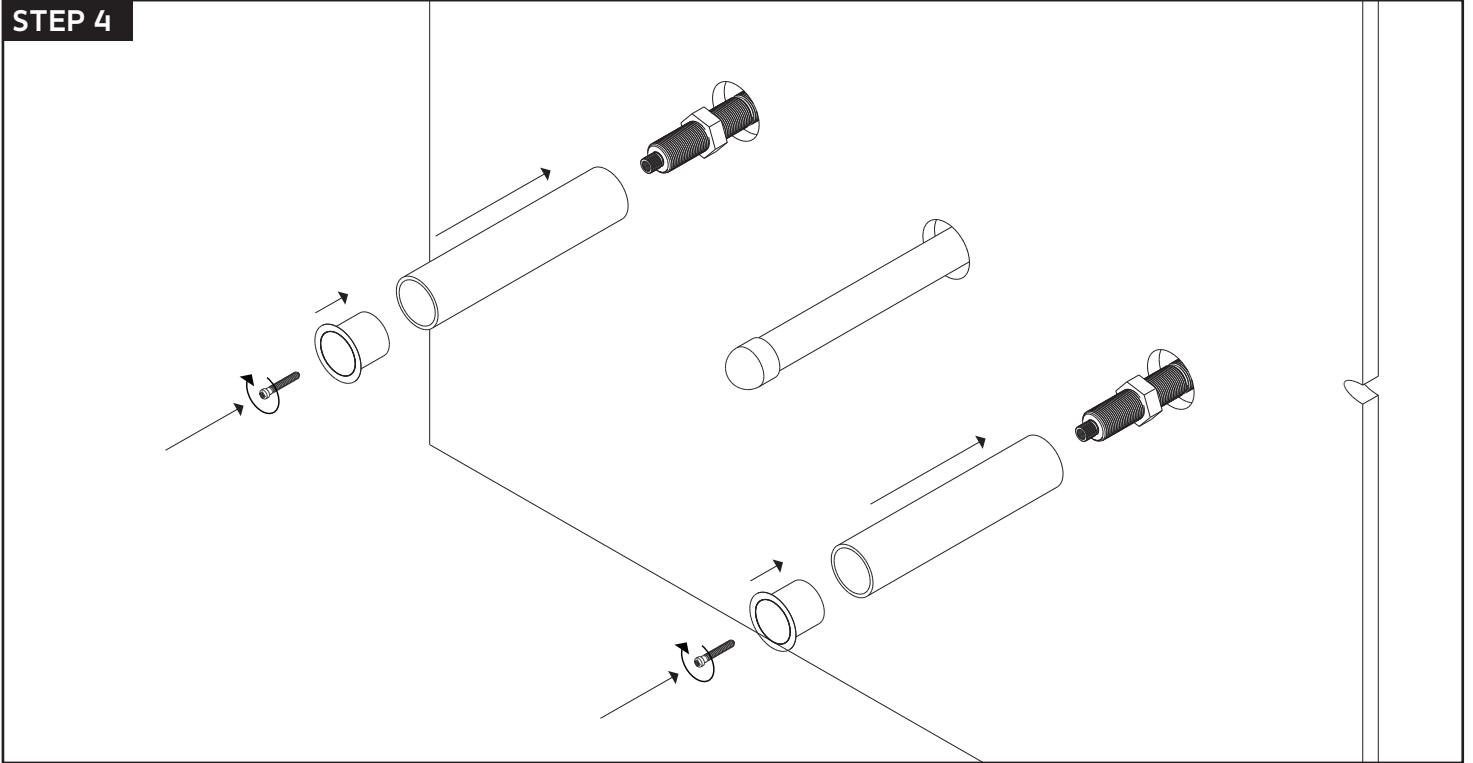


# artos<sup>®</sup>

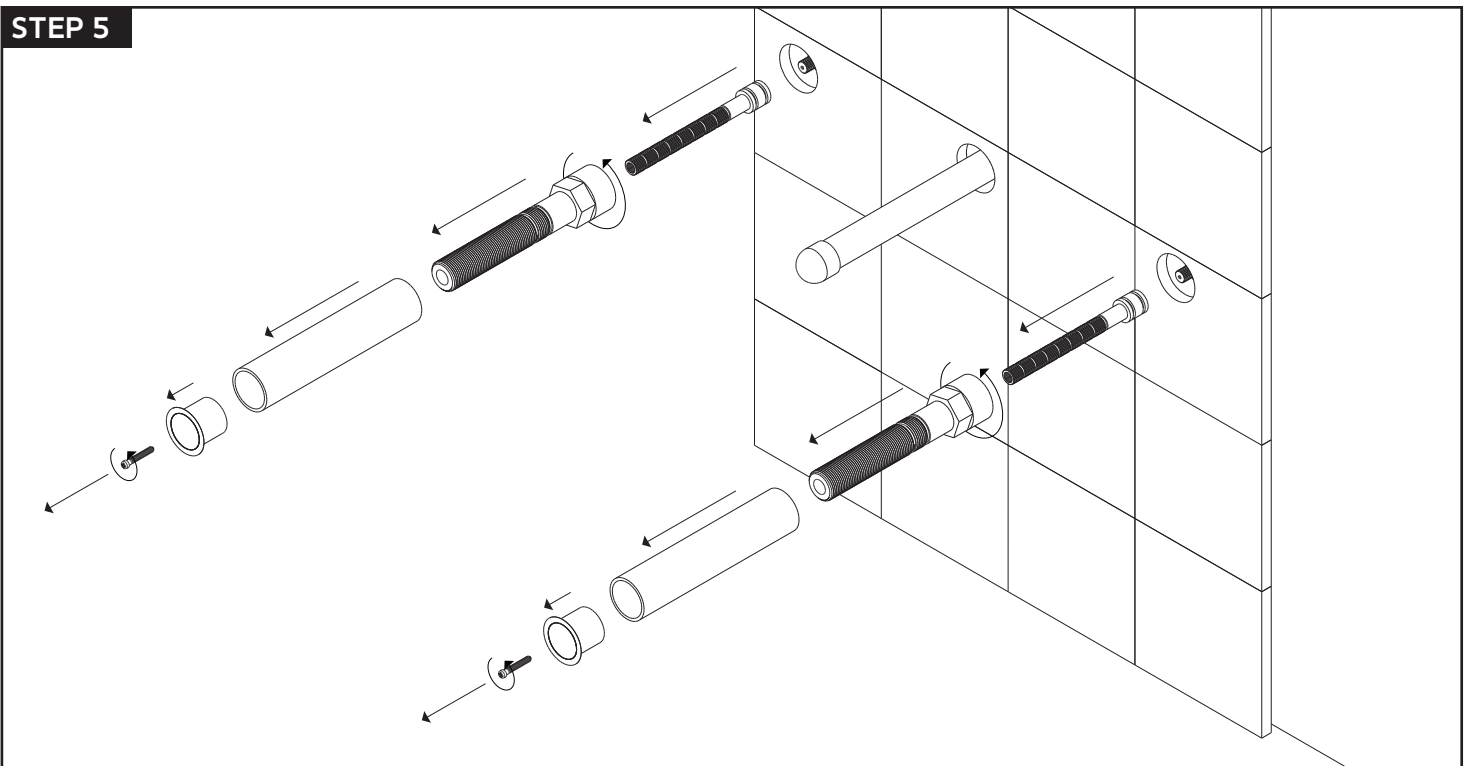
F201-5

quarto 3 inch 3-hole wall  
mount tub filler

## STEP 4

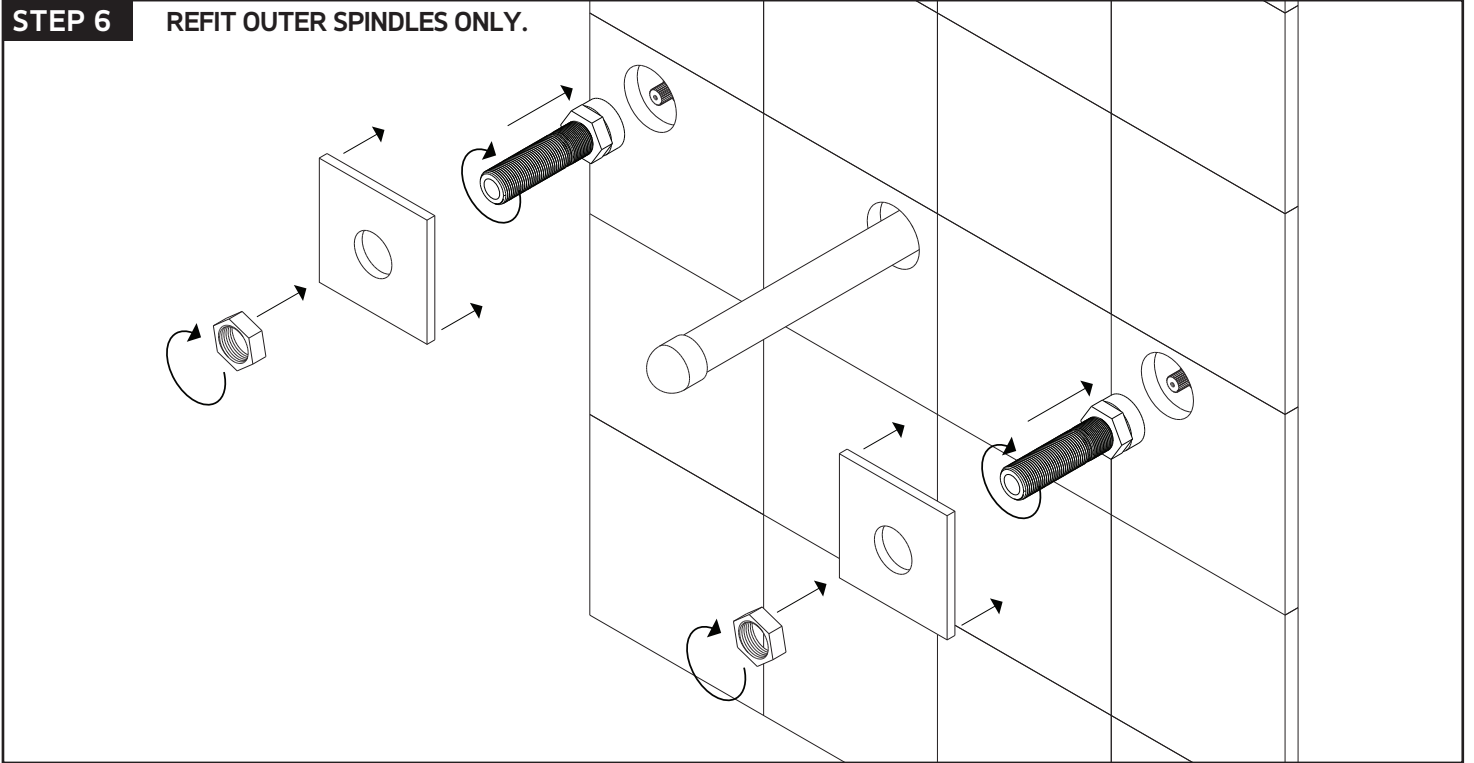


## STEP 5

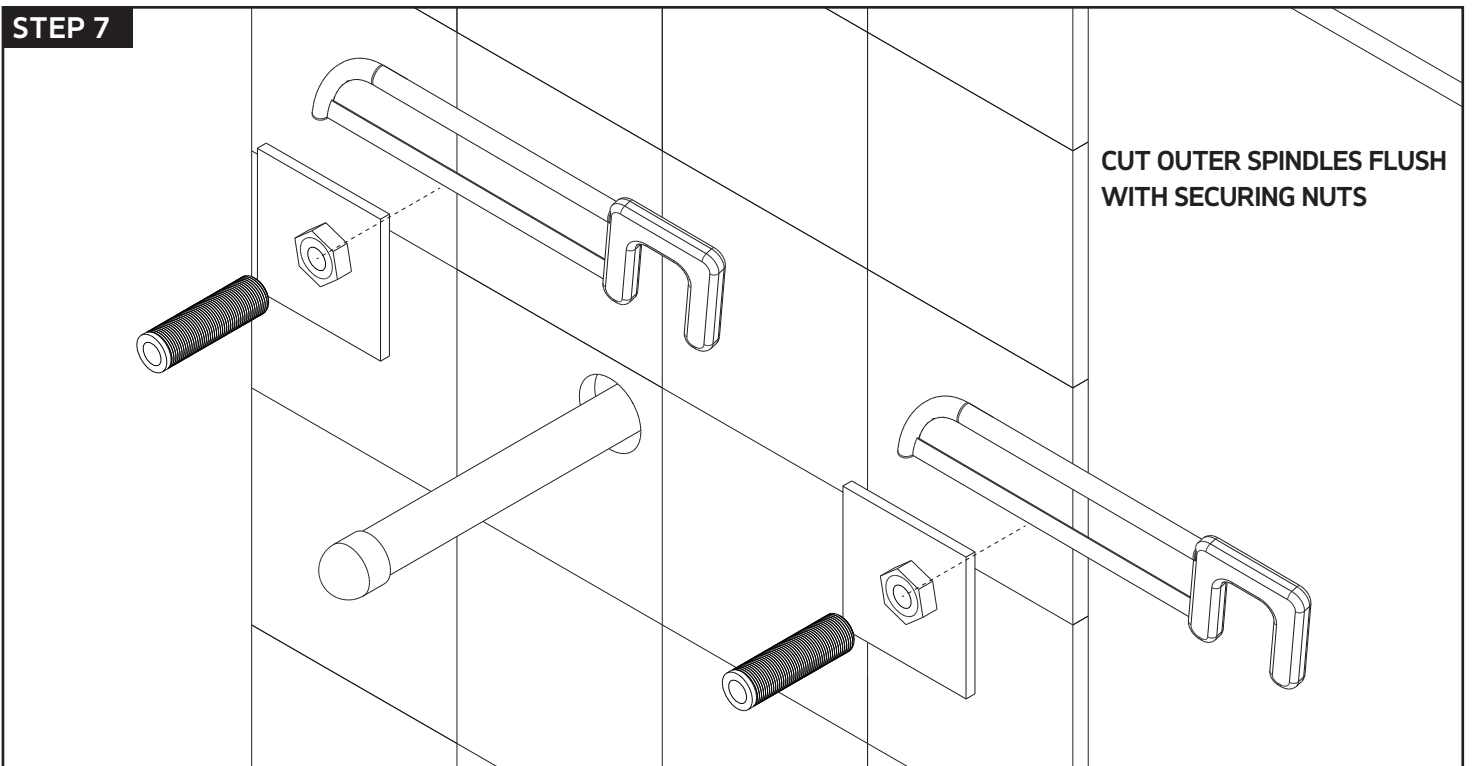


# INSTALLATION STEPS

## STEP 6 REFIT OUTER SPINDLES ONLY.



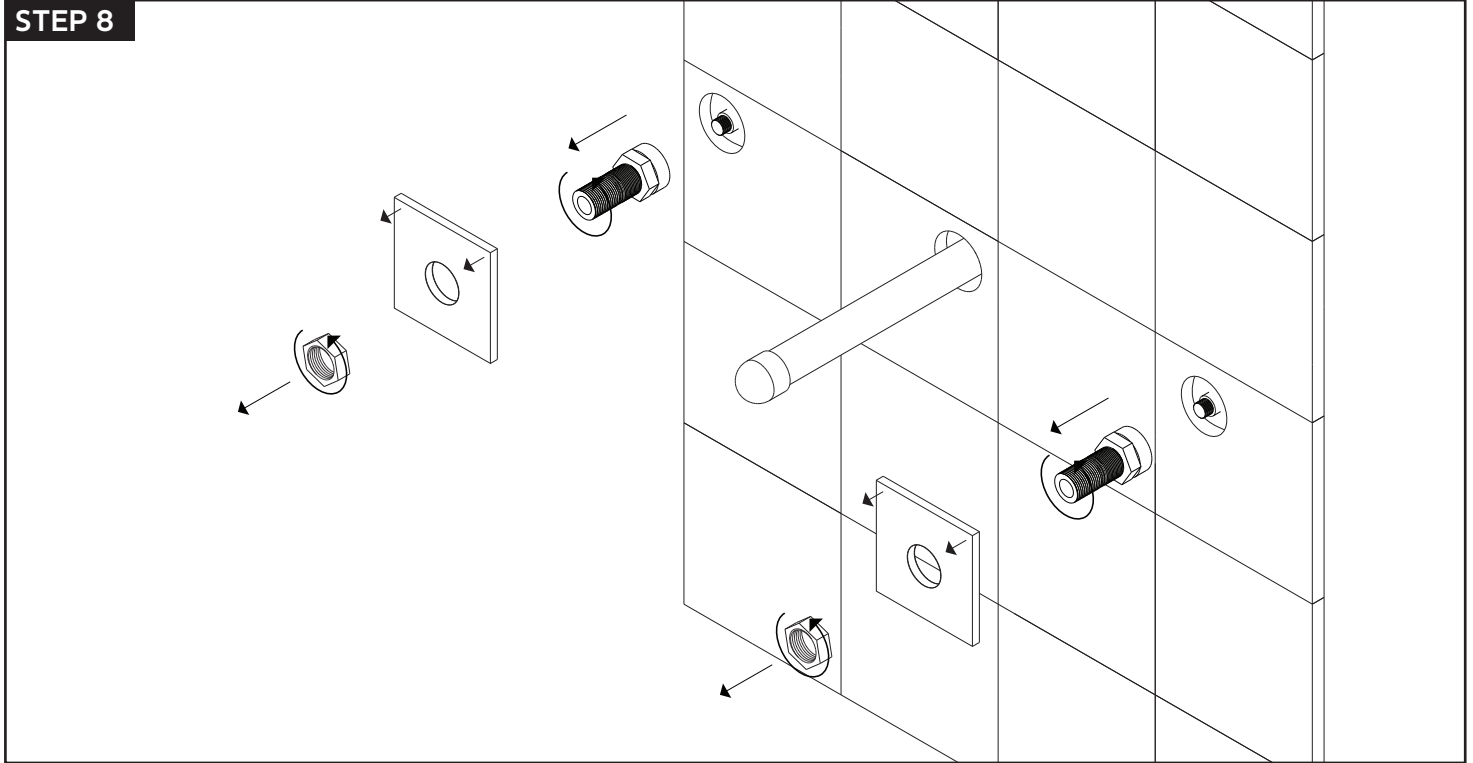
## STEP 7



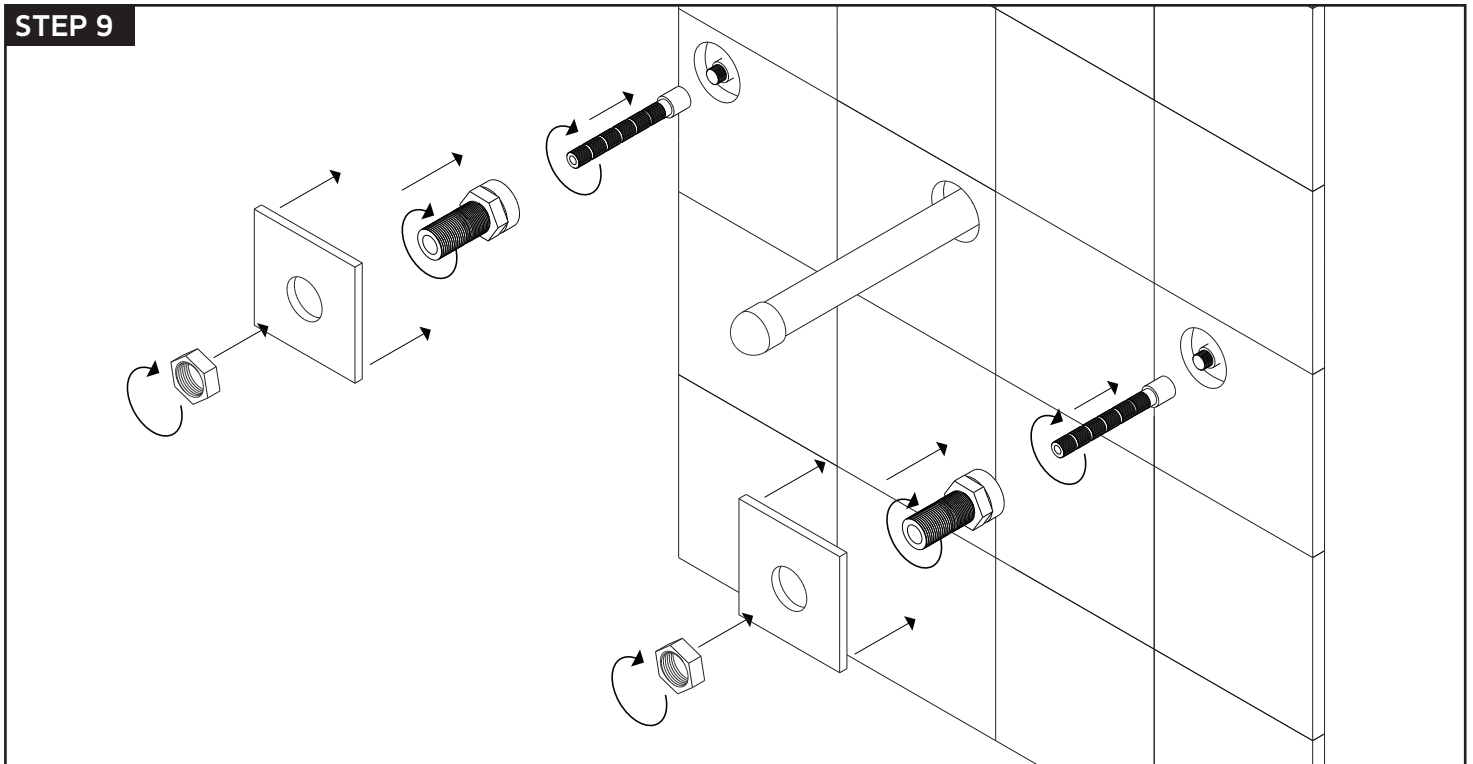
## F201-5

quarto 3 inch 3-hole wall  
mount tub filler

### STEP 8



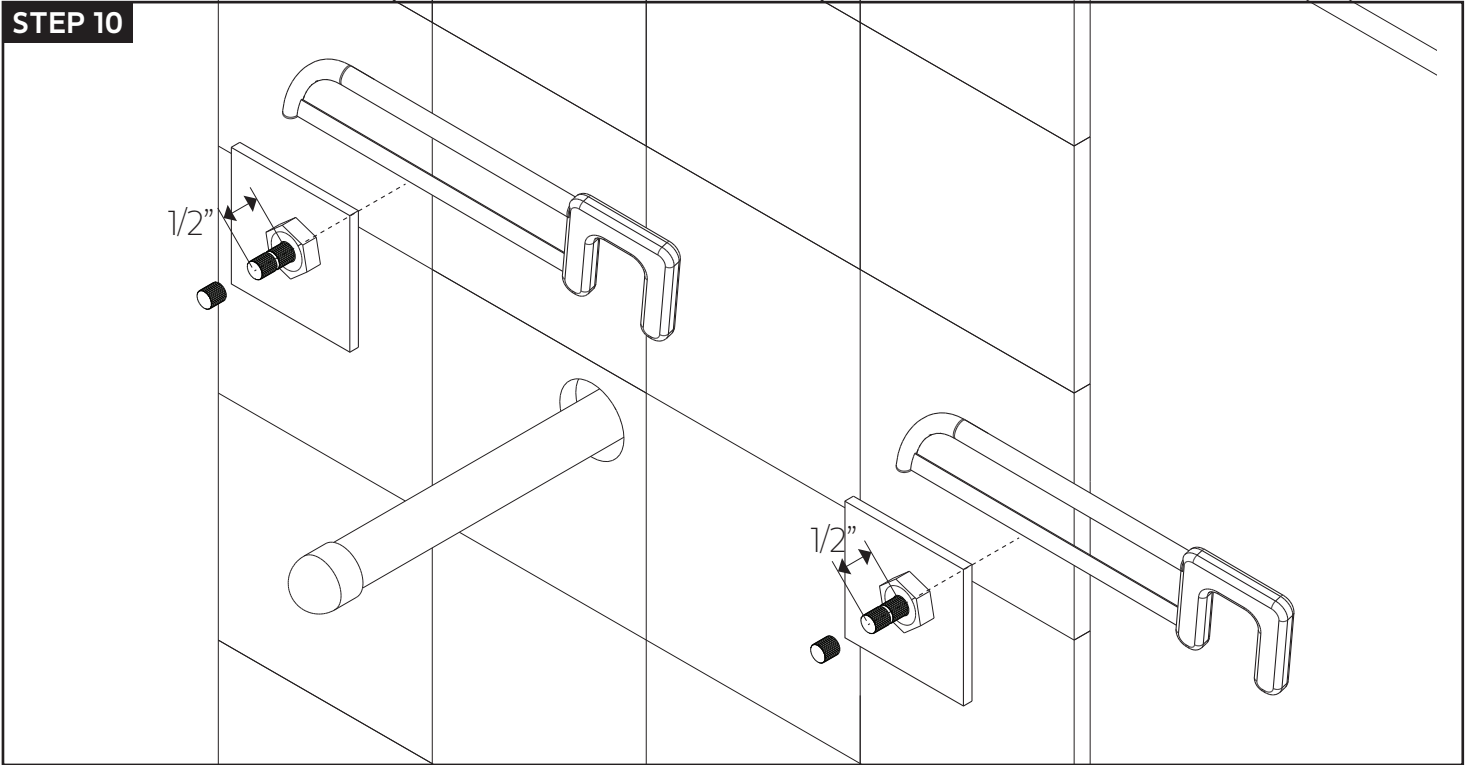
### STEP 9



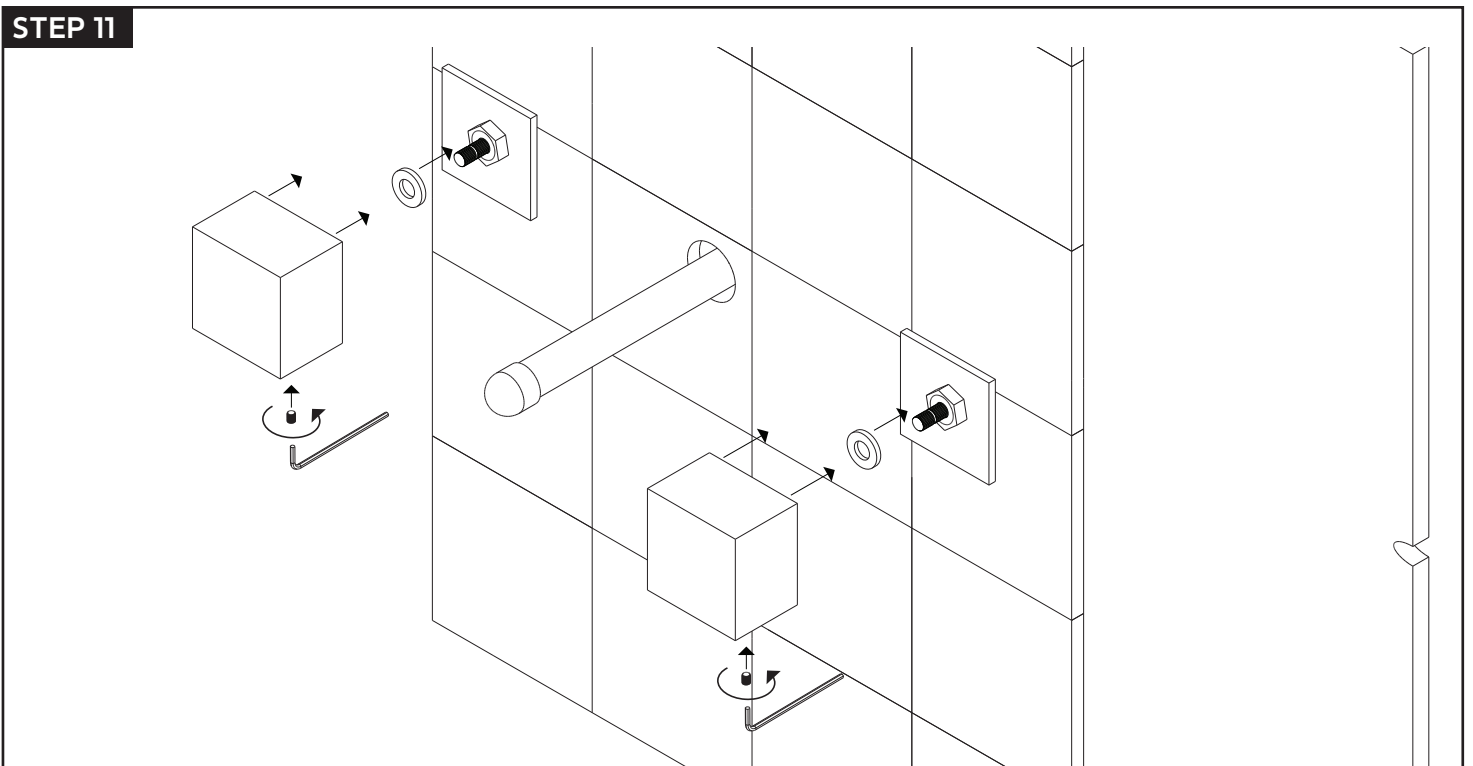


# INSTALLATION STEPS

## STEP 10



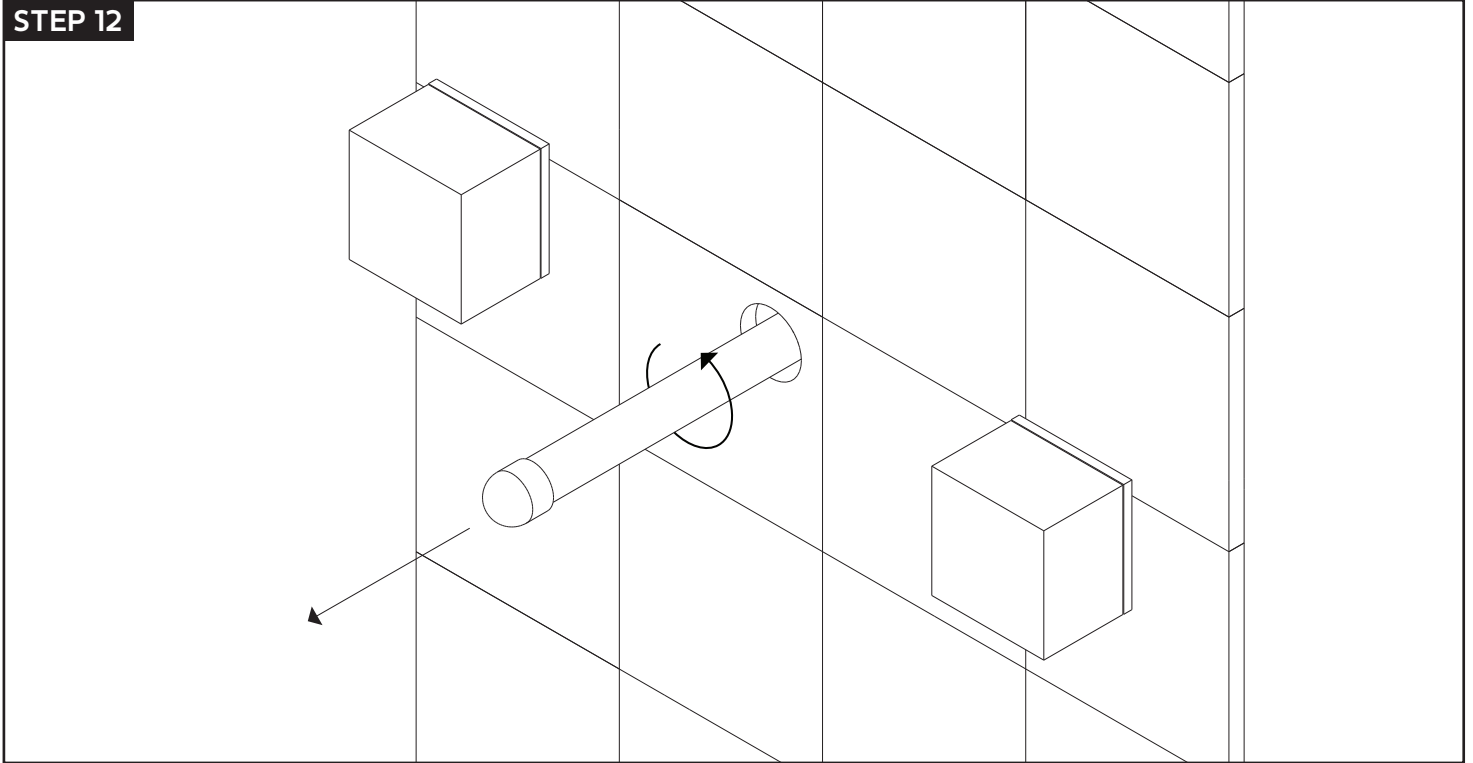
## STEP 11



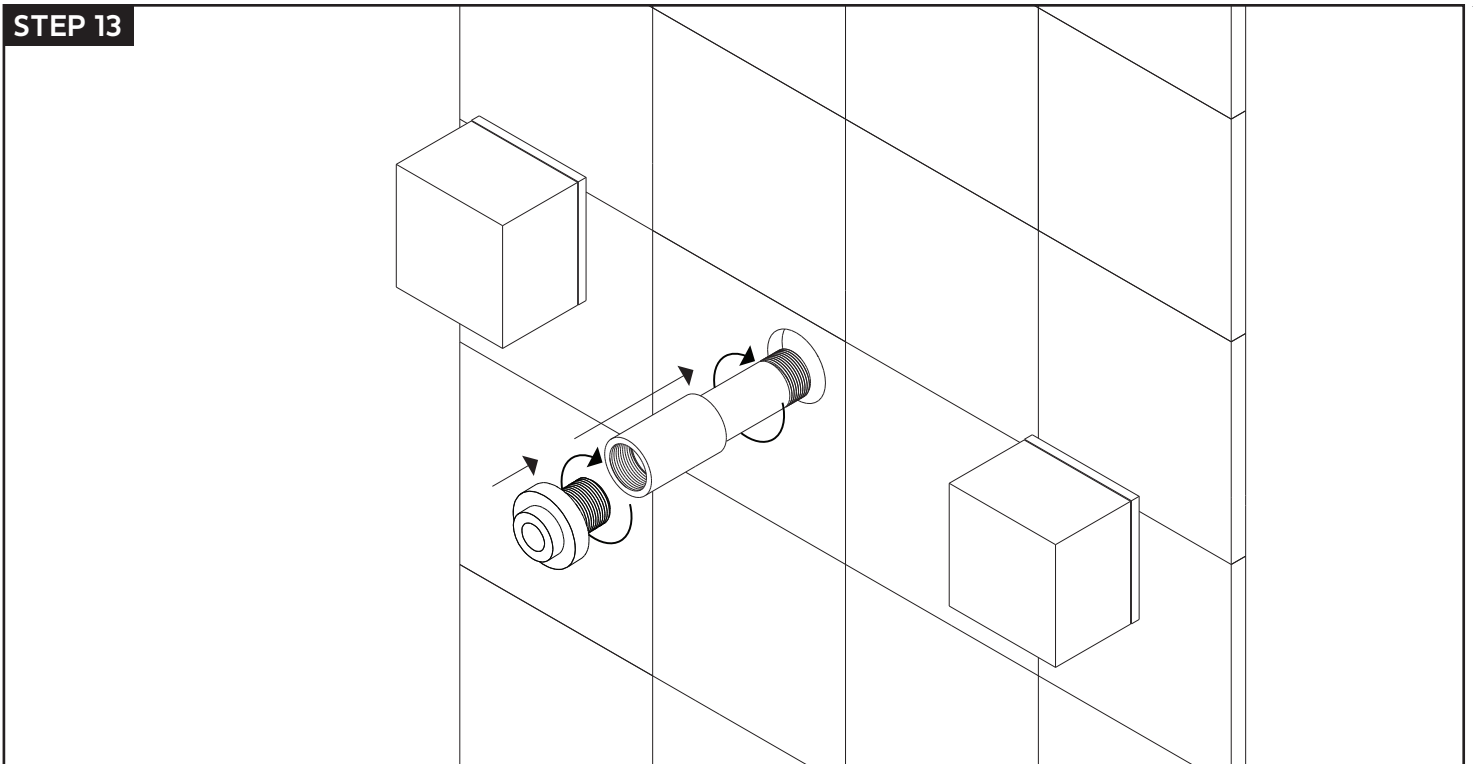
## F201-5

quarto 3 inch 3-hole wall  
mount tub filler

### STEP 12

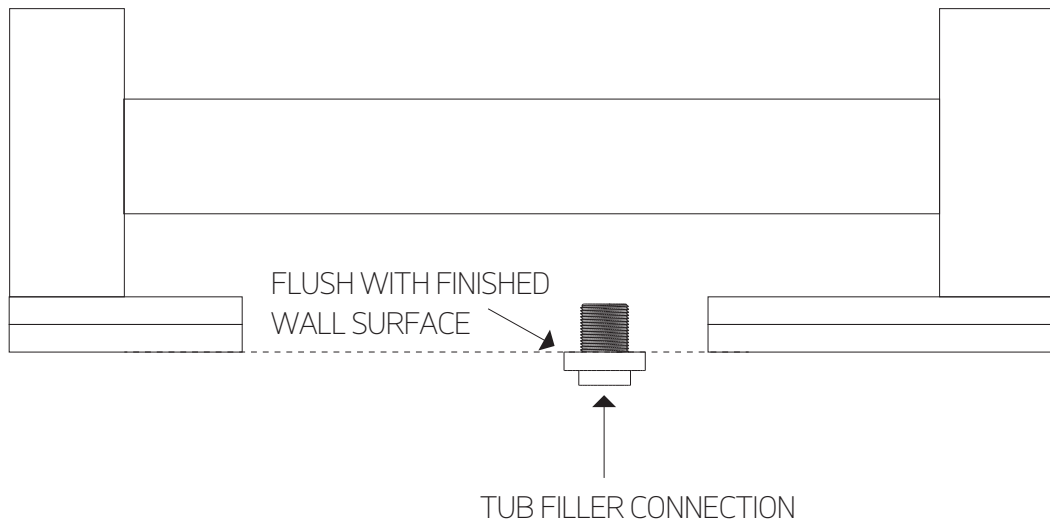


### STEP 13

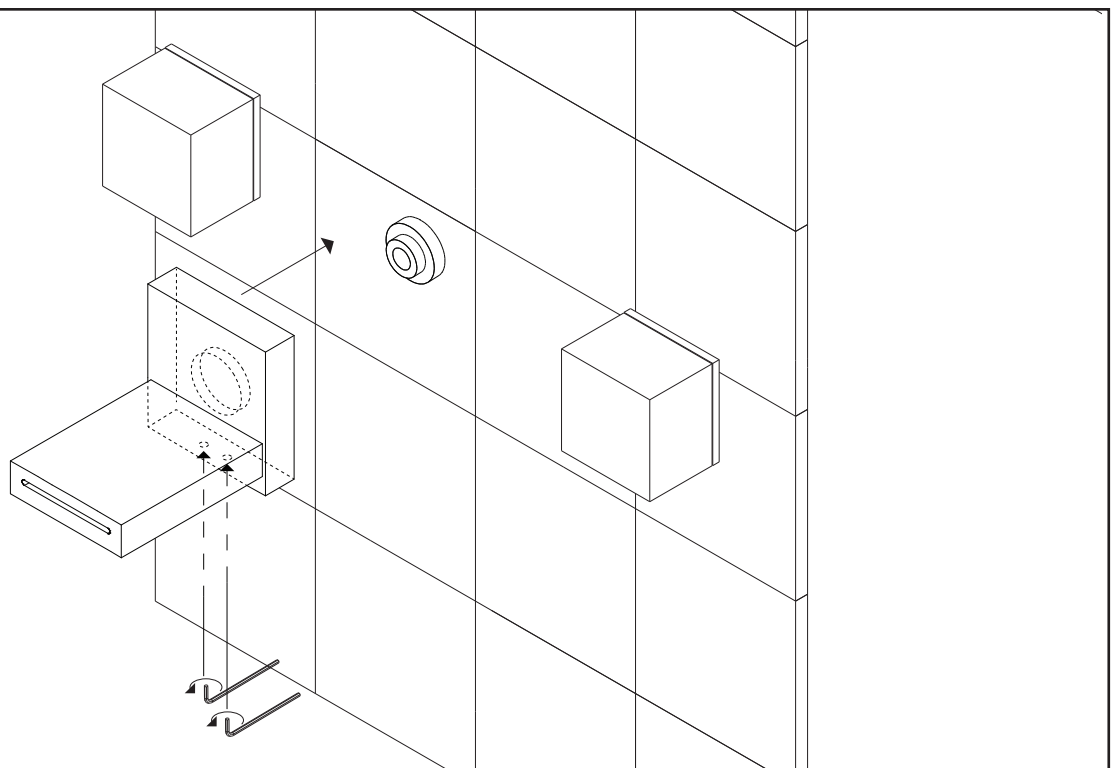


# INSTALLATION STEPS

## STEP 14



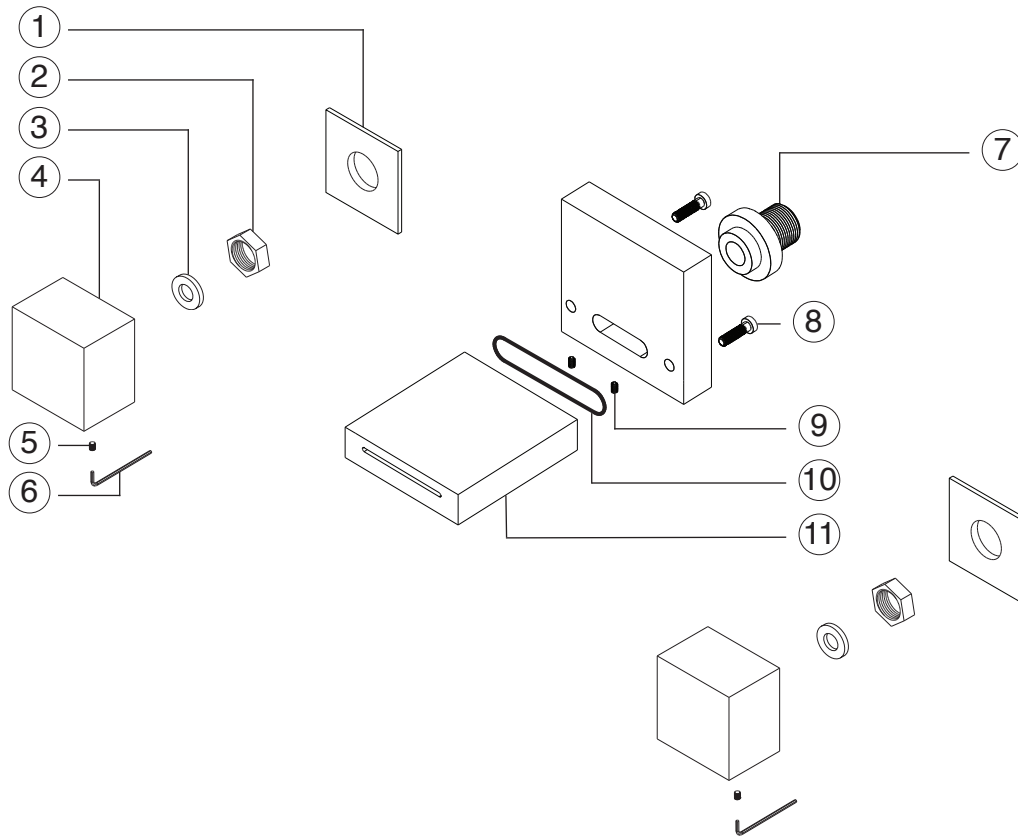
## STEP 15



# artos<sup>®</sup>

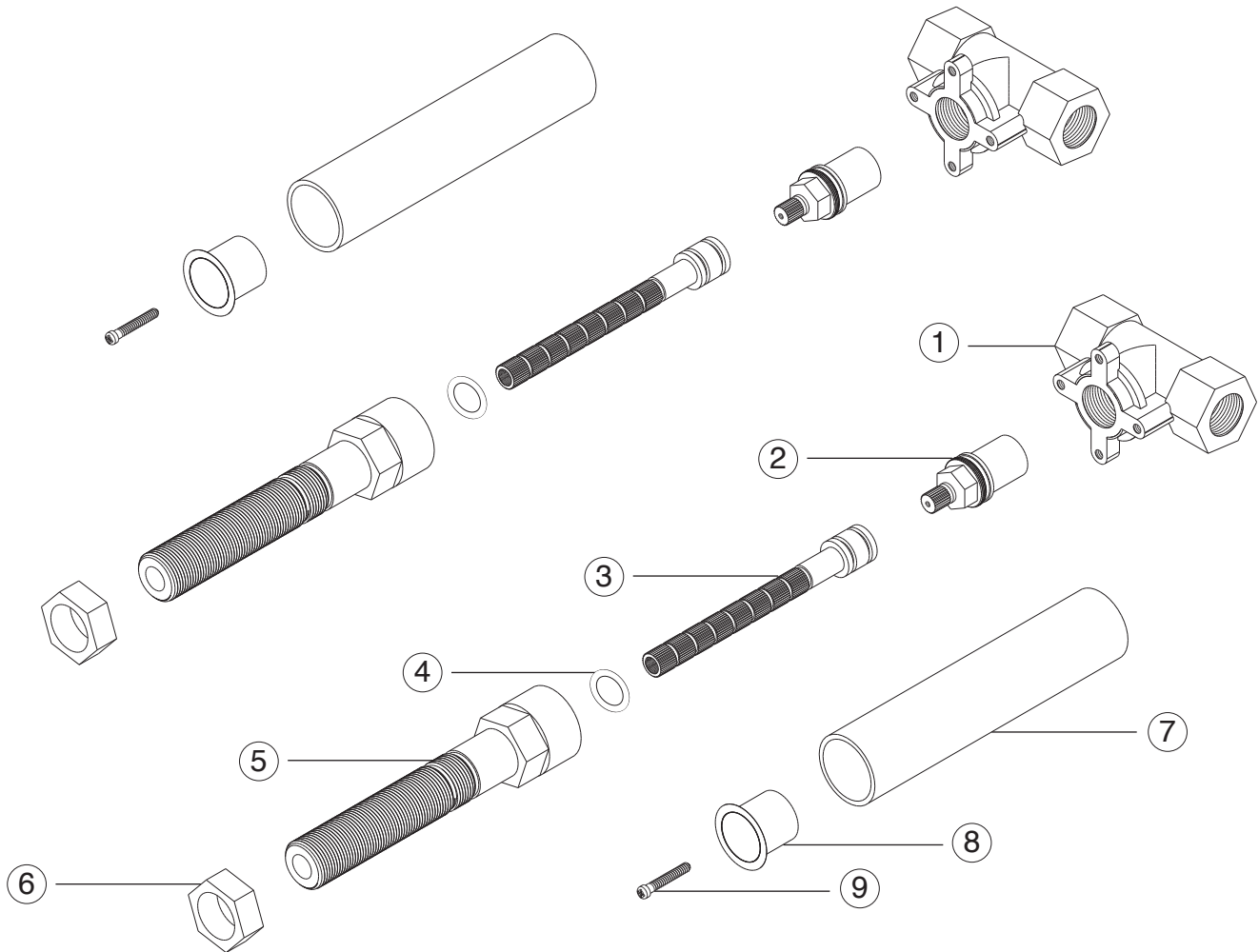
## F201-5

quarto 3 inch 3-hole wall  
mount tub filler



- ① HANDLE ESCUTCHEON (2) F201-5 XP1
- ② ESCUTCHEON LOCKING NUT (2) F201-5 XP2
- ③ NYLON WASHER (2) F201-5 XP3
- ④ HANDLE (2) F201-5 XP4
- ⑤ HANDLE SET SCREW (2) F201-5 XP5
- ⑥ HANDLE ALLEN WRENCH (2) F201-5 XP6
- ⑦ TUB FILLER CONNECTION INLET F201-5 XP7
- ⑧ TUB FILLER BODY TO SPOUT SCREWS (2) F201-5 XP8
- ⑨ TUB FILLER SET SCREWS (2) F201-5 XP9
- ⑩ TUB FILLER GASKET F201-5 XP10
- ⑪ TUB FILLER SPOUT F201-5 XP11

## PARTS BREAKDOWN



- ① **VALVE BODY(2)** F906A-V0 XP1
- ② **CARTRIDGE (2)** F906A-V0 XP2
- ③ **HANDLE STEM (2)** F906A-V0 XP3
- ④ **STEM WASHER (2)** F906A-V0 XP4
- ⑤ **ESCUTCHEON STEM (2)** F906A-V0 XP5
- ⑥ **PLATE SECURING NUT (2)** F906A-V0 XP6
- ⑦ **PLASTER GUARD (2)** F906A-V0 XP7
- ⑧ **PLASTER GUARD CAP (2)** F906A-V0 XP8
- ⑨ **PLASTER GUARD SCREW (2)** F906A-V0 XP9

# artos®

## F201-5

## CARE & MAINTENANCE

quarto 3 inch 3-hole wall  
mount tub filler

For best results, keep the following in mind to retain the high quality finish of your artos® faucets:

- Use a soft, dampened sponge or cloth. On no account should you use an abrasive material such as a brush, scouring pad or steel wool to clean surfaces.
- Test your cleaning agent solution on an inconspicuous area before applying to the entire faucet.
- Wipe surfaces clean and rinse completely with water immediately after applying cleaning agent.
- An ideal cleaning technique is to rinse faucet thoroughly and blot dry any water from the surface after each use.

## LIMITED LIFETIME WARRANTY

Artos® Limited Lifetime Warranty

Artos® faucets have been manufactured under the highest quality and manufacturing standards. Artos® faucets are guaranteed for life against leaks and manufacturing defects for as long as the original consumer purchaser owns it. This warranty applies to installations in the US, Canada and Mexico (North America). Commercial, Industrial or business uses are warranted for a period of one year from the original date of purchase.

This warranty is non-transferable and applies exclusively to the original owner or end-user. If a defect is found during normal use, Artos® will, at its election, repair, replace or make an appropriate adjustment. Damage caused by accident, misuse, abuse, improper installation or alteration will void the warranty. This warranty does not cover replacement parts where damage is caused by normal wear and tear. Labor charges, installation or other incidental or consequential costs will not be covered.

Replacement parts that qualify for warranty repair can be obtained by contacting Artos® at 1-877-9ARTOS9 or by e-mail at [info@artos.us.com](mailto:info@artos.us.com). Proof of purchase (original sales receipt) from the original consumer purchaser must accompany all warranty claims. When submitting your claim in writing, please provide your name, address and telephone number.

Please register this product online at [WWW.ARTOS.US.COM](http://WWW.ARTOS.US.COM)

Item No: **F201-5**

Serial No: