

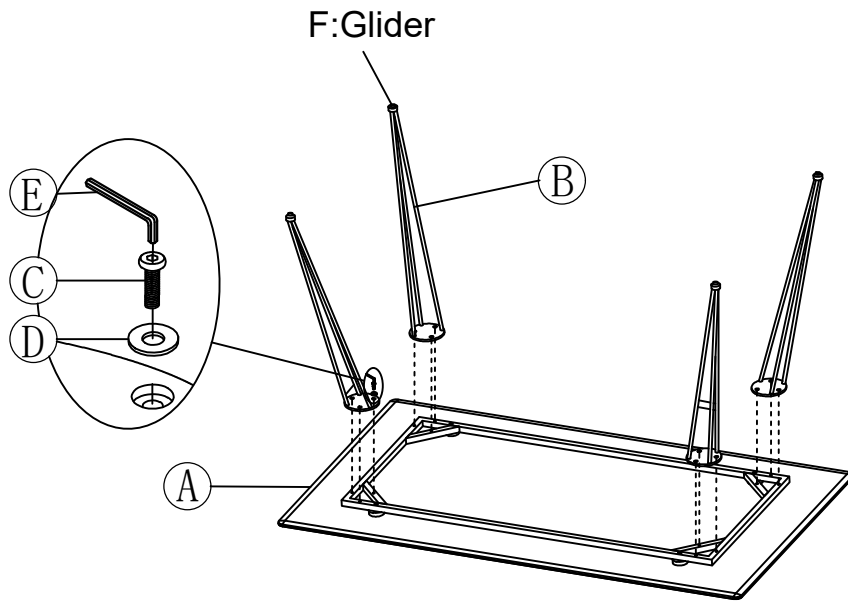
ASSEMBLY INSTRUCTION

Model : D90102DT

Description : DINING TABLE

Thank you for purchasing this quality product. Be sure to check all packing material carefully for small parts that may have come loose inside the carton during shipment.

Step 1:



PART LIST :

No.	Description	Diagram	Quantity
A	Table glass top		1
B	Table leg		4

HARDWARE LIST :

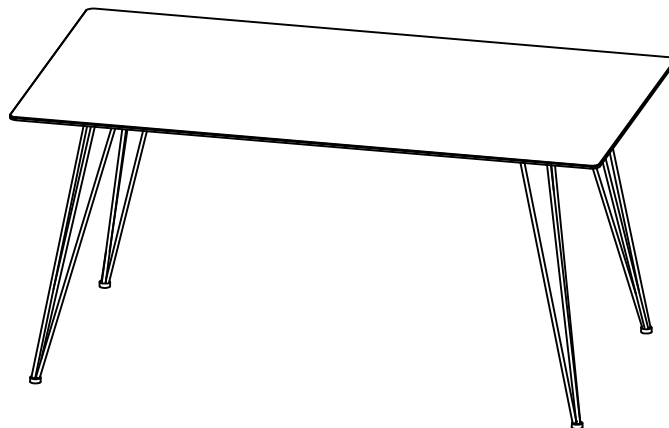
Located in carton 2 of 2
(D90102DT-LEG)

No.	Description	Diagram	Size	Quantity
C	Bolt		M8 x 20mm	12
D	Flat washer		Ø20xØ10x2mm	12
E	Allen key		M5	1

PREFIX HARDWARE :

F	Glider		4
---	--------	--	---

Finished



Made In China

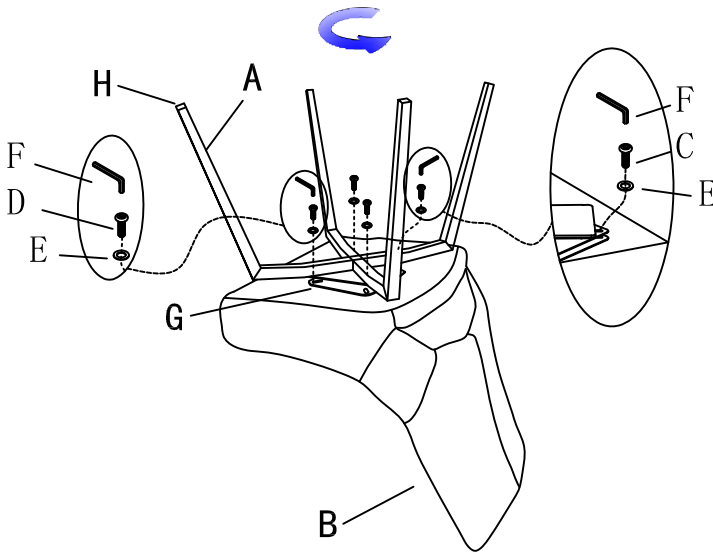
ASSEMBLY INSTRUCTION

Model : D4878DC

Description: DINING CHAIR

Thank you for purchasing this quality product. Be sure to check all packing material carefully for small parts that may have come loose inside the carton during shipment.

STEP 1



PART LIST:

NO.	Description	Diagram	Quantity
A	Legs		1
B	Backrest		1

HARDWARE LIST:

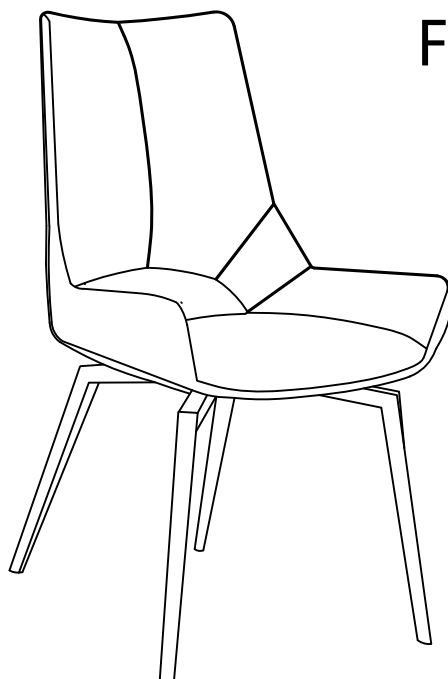
C	Bolt M6X16mm		2
D	Bolt M6X30mm		2
E	flat washer ϕ 16		4
F	Allen Key M4		1

PRE-FIX HARDWARE LIST:

G	Mechanism plate		1
H	Plastic feet		4

Assembly backrest(B) to the legs(A) with bolt(C) and bolt(D) by using flat washer(E) and allen key(F)

STEP 2



Finished

Made In China