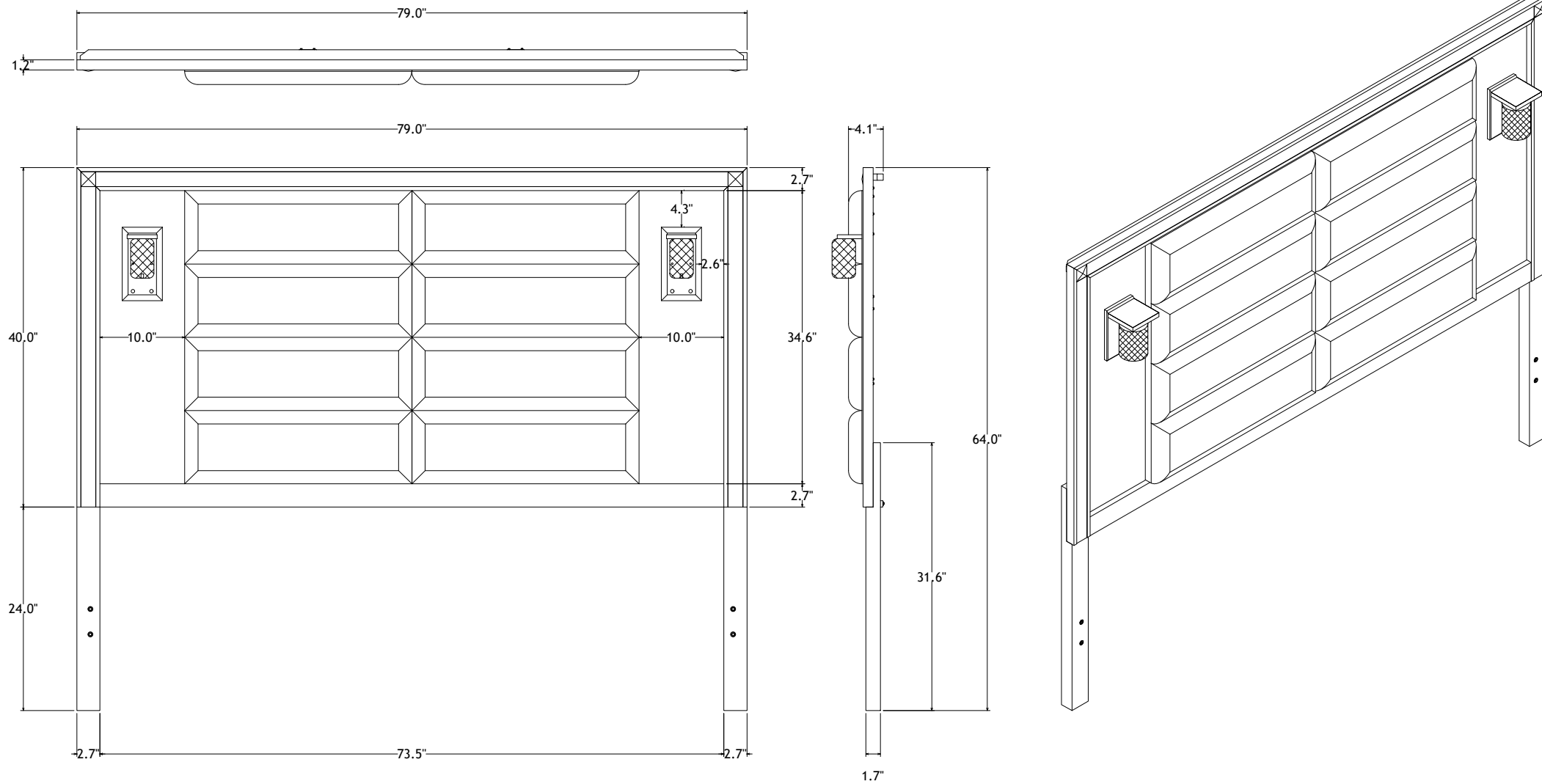
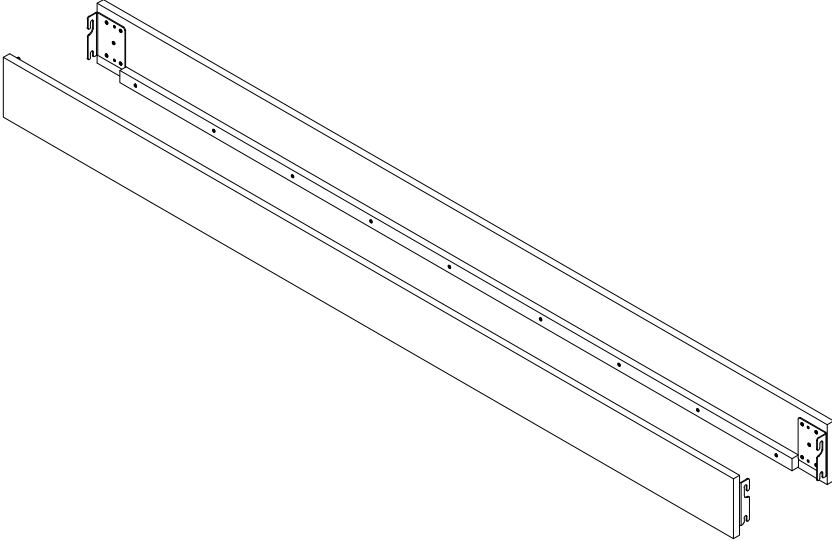
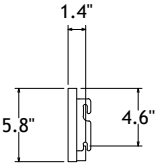
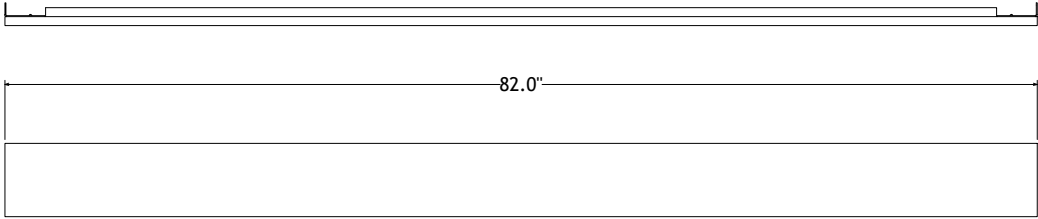


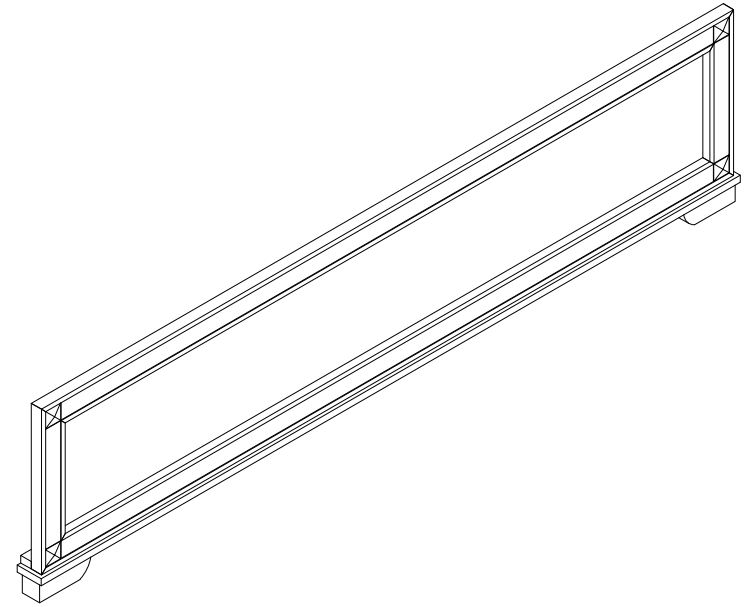
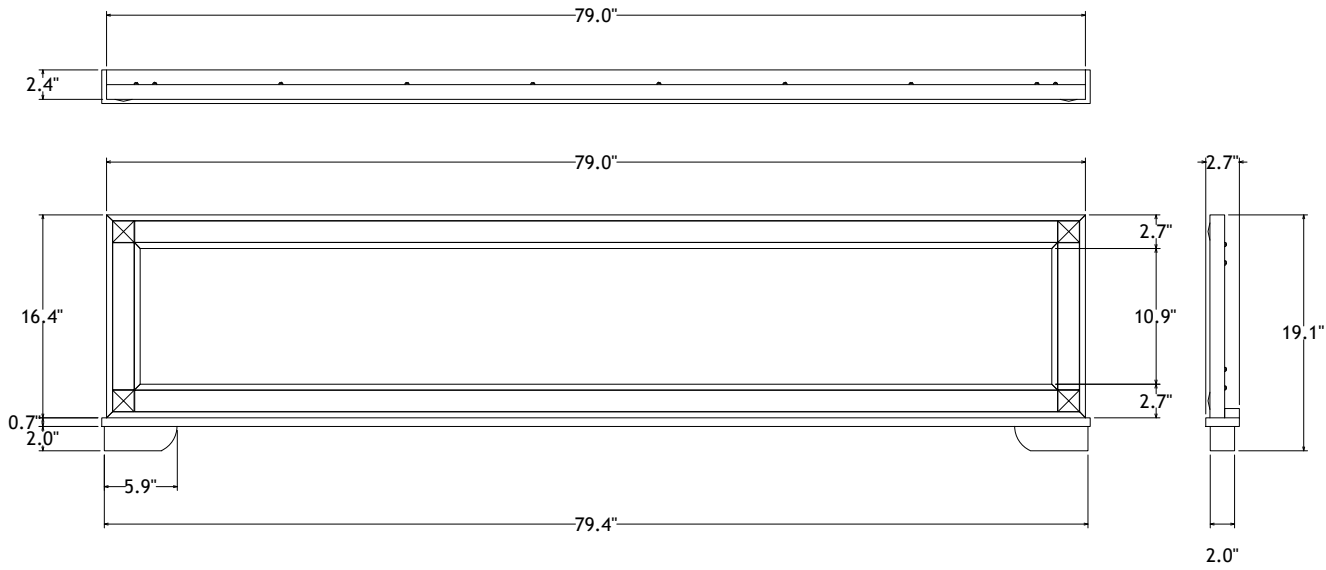
BLAKE-KHB



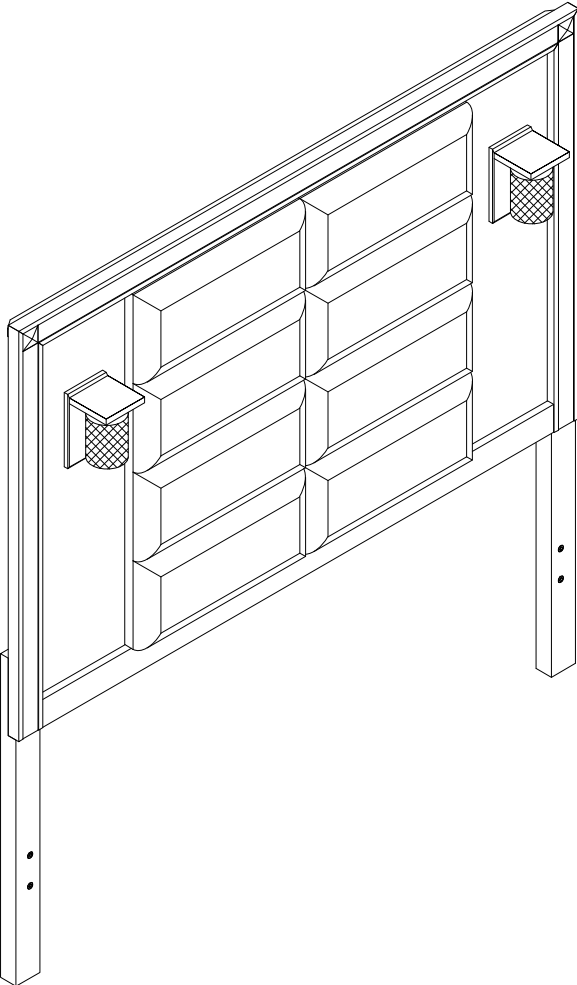
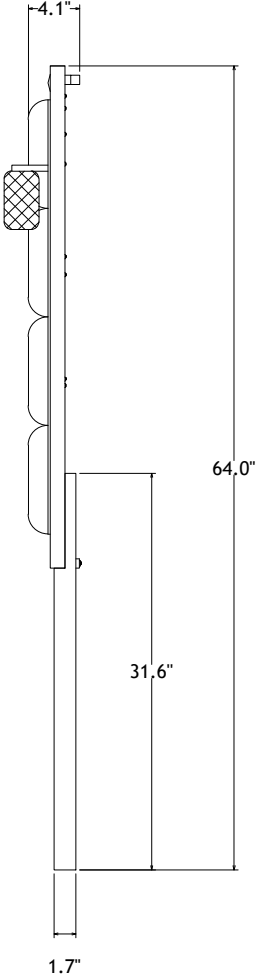
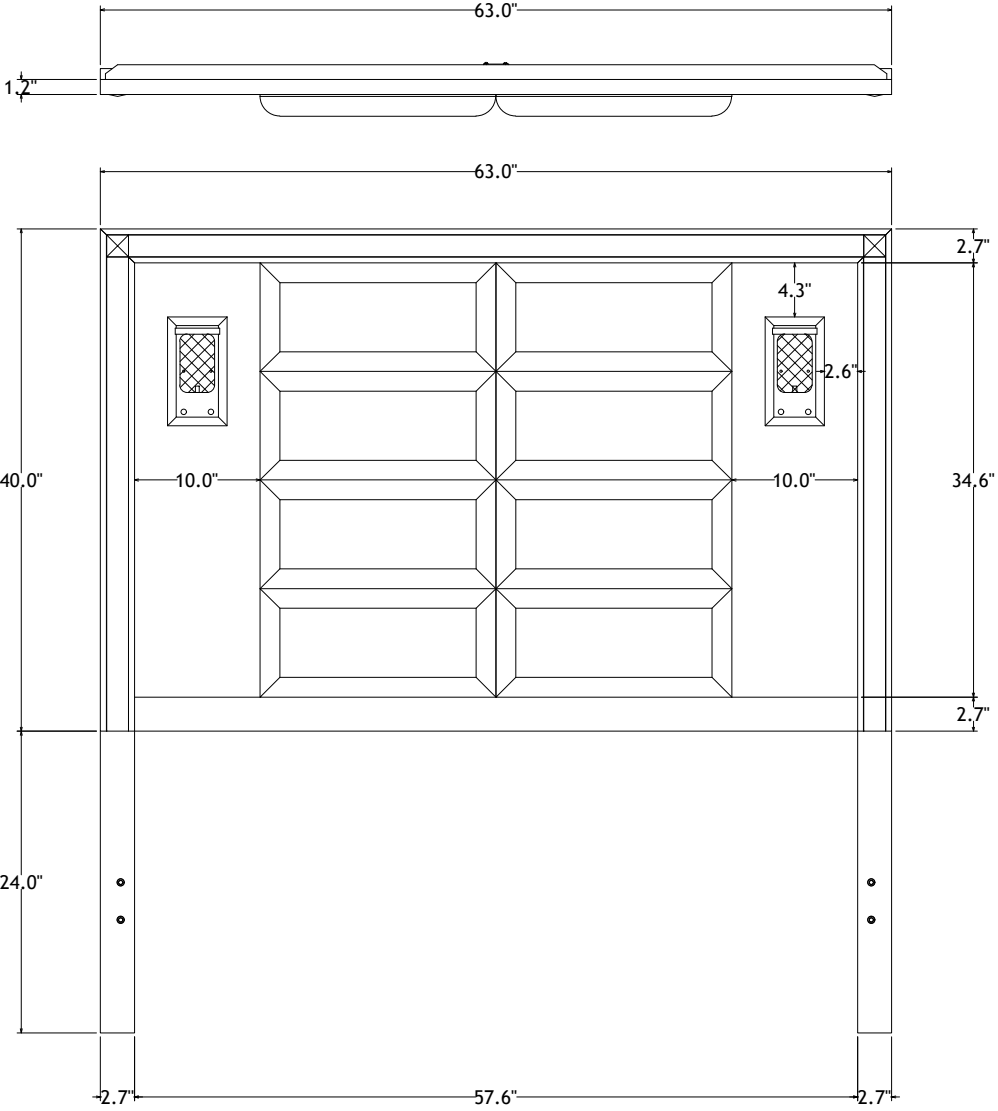
BLAKE-QSR



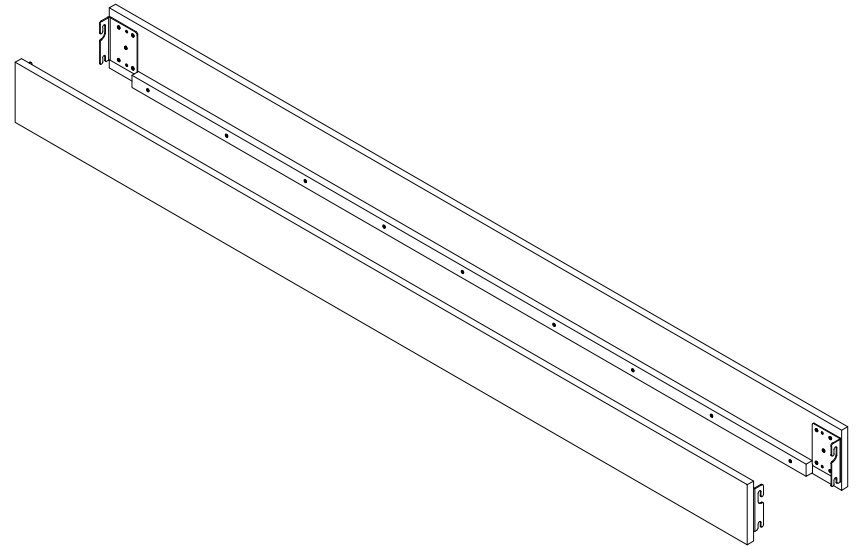
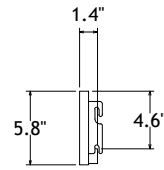
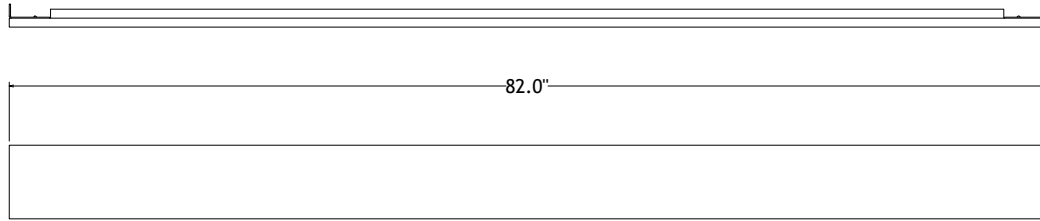
BLAKE-KFB



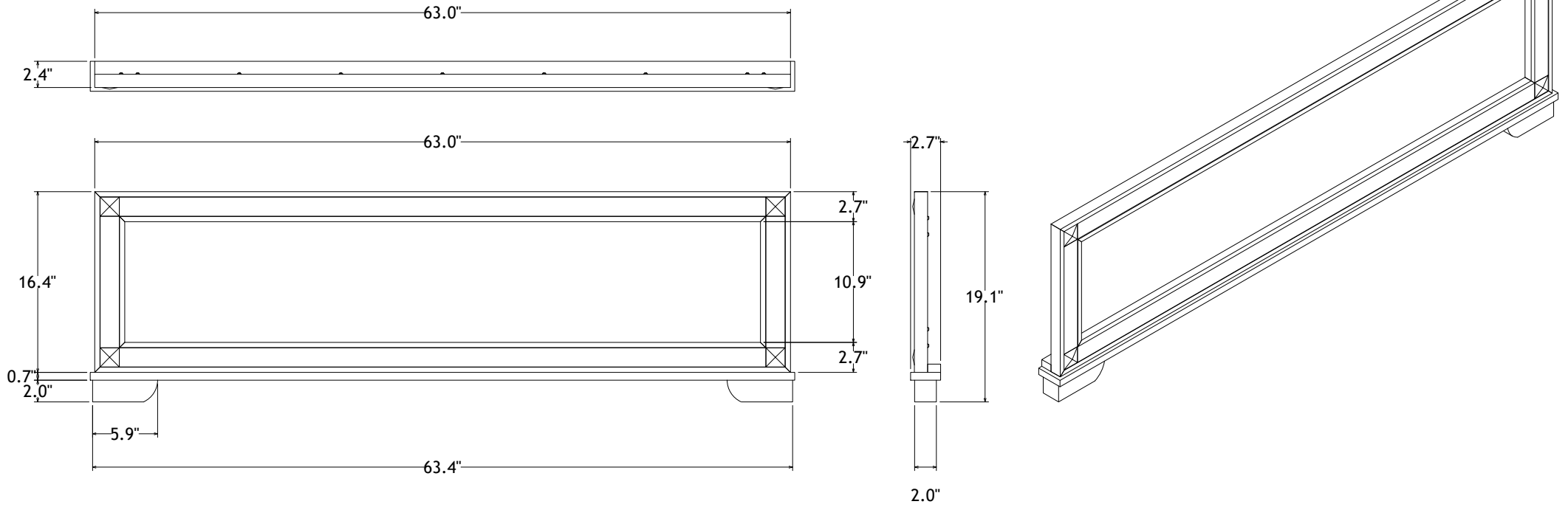
BLAKE-QHB



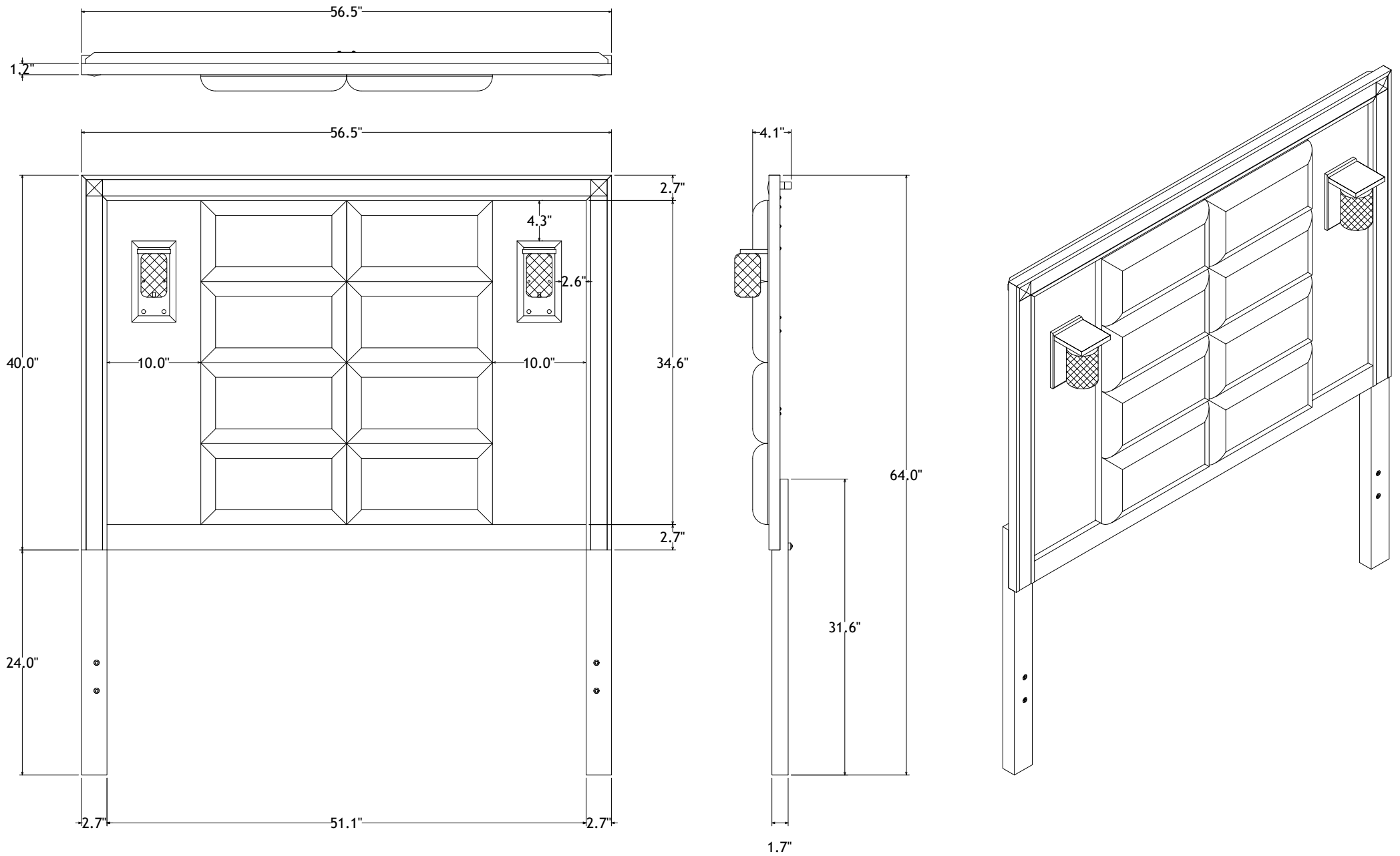
BLAKE-QSR



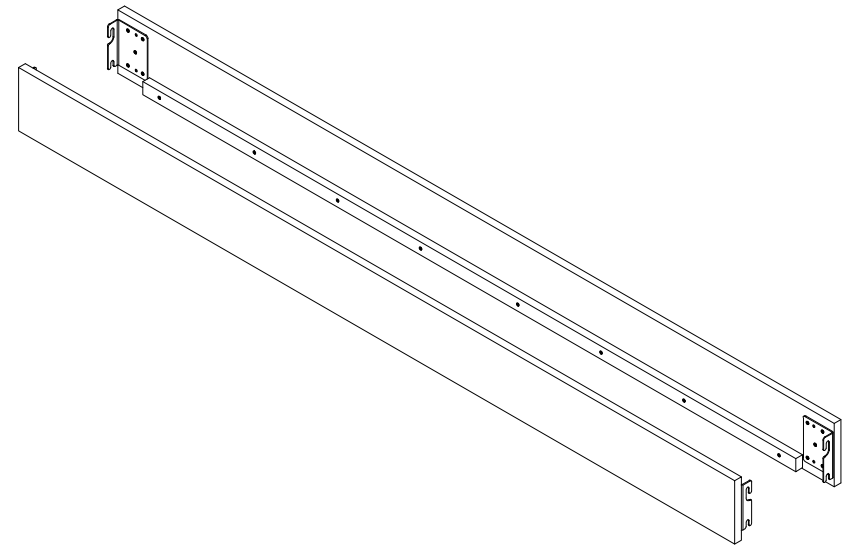
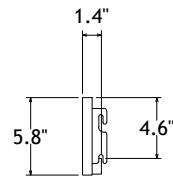
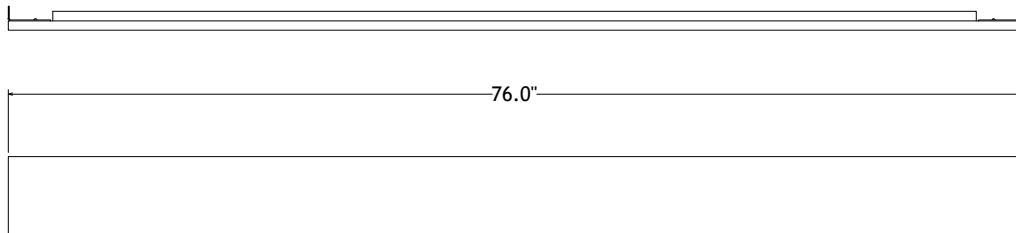
BLAKE-QFB



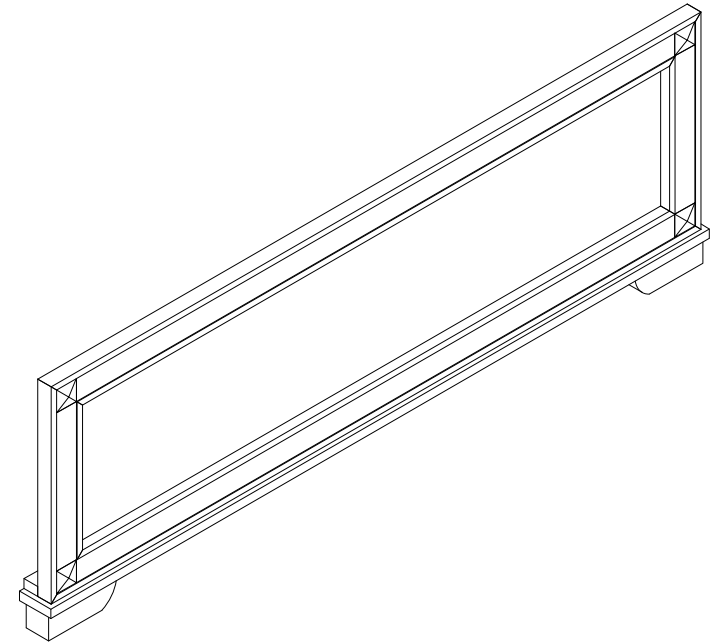
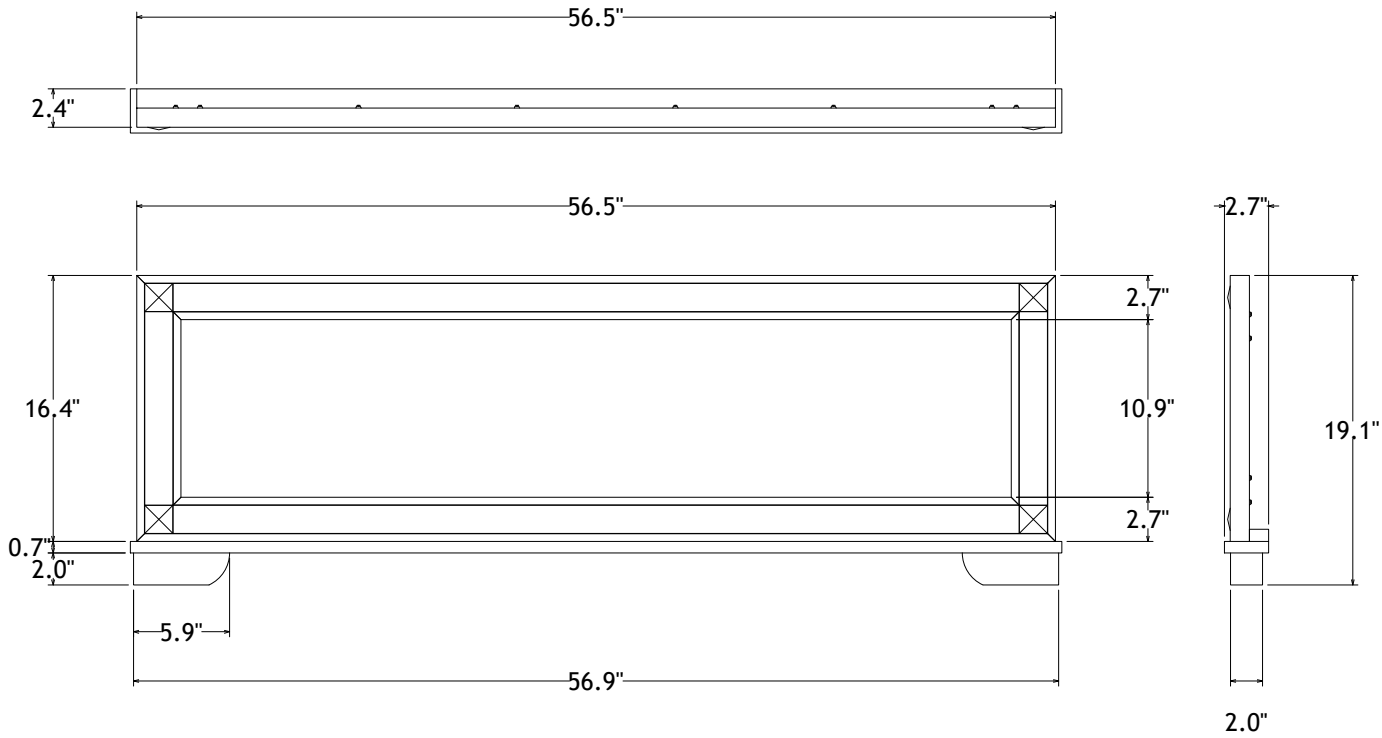
BLAKE-FHB



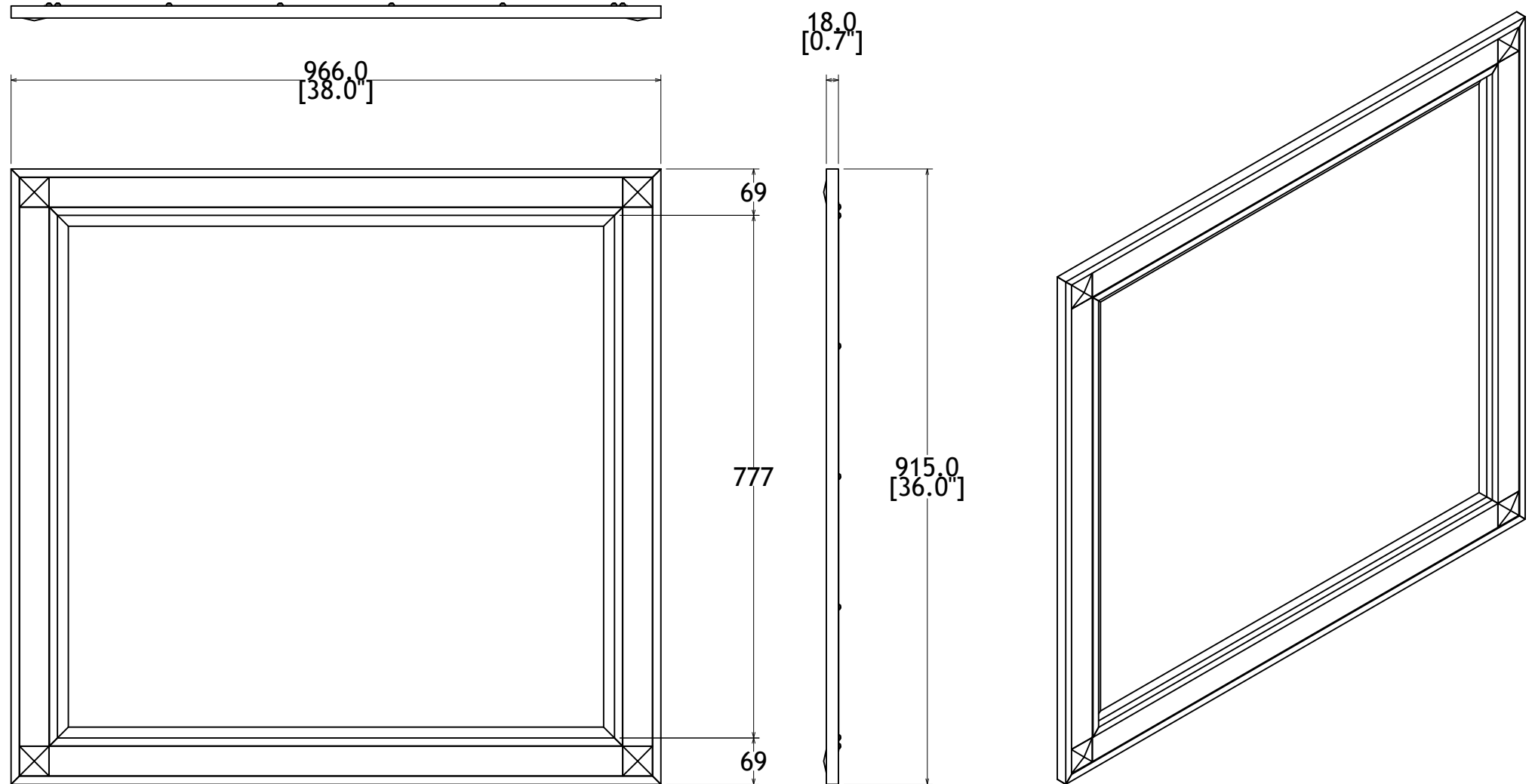
BLAKE-FSR



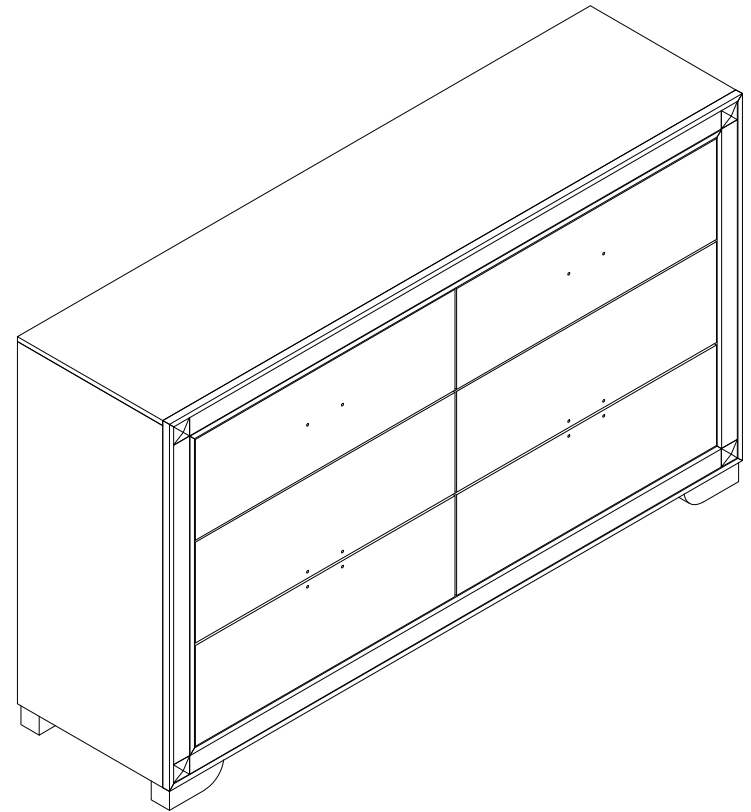
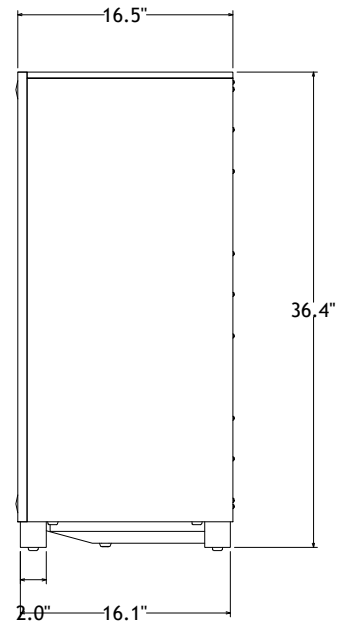
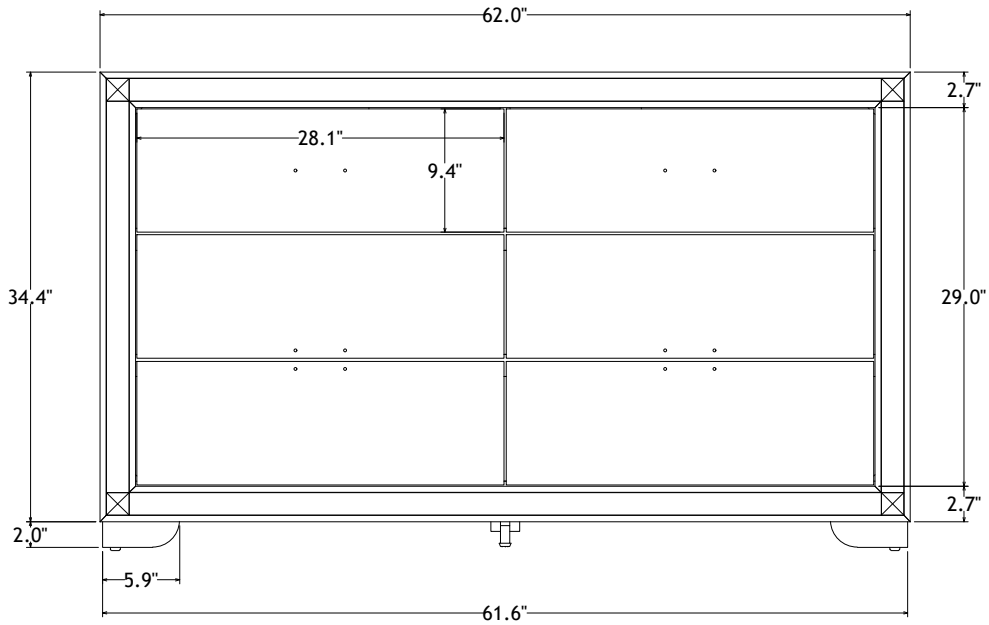
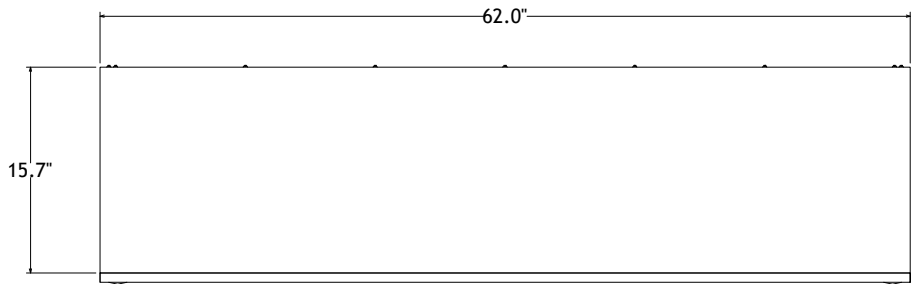
BLAKE-FFB

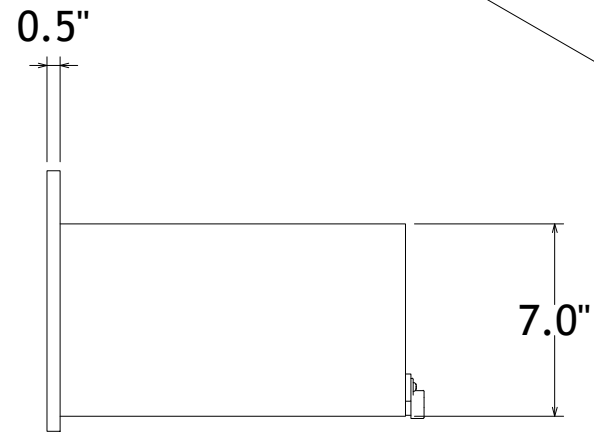
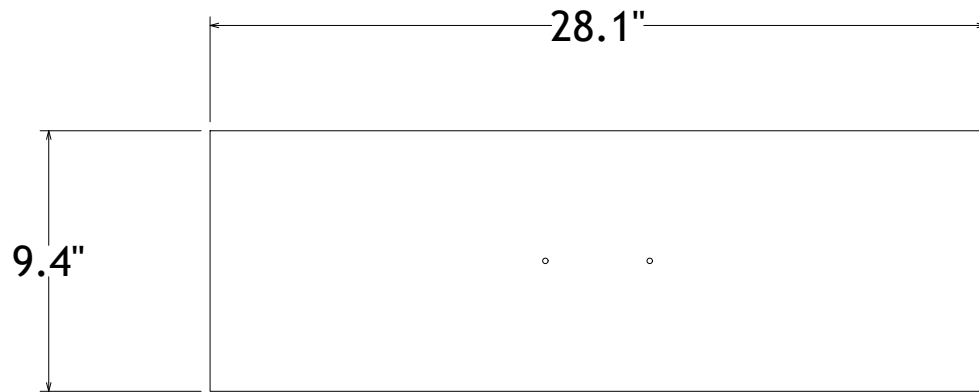
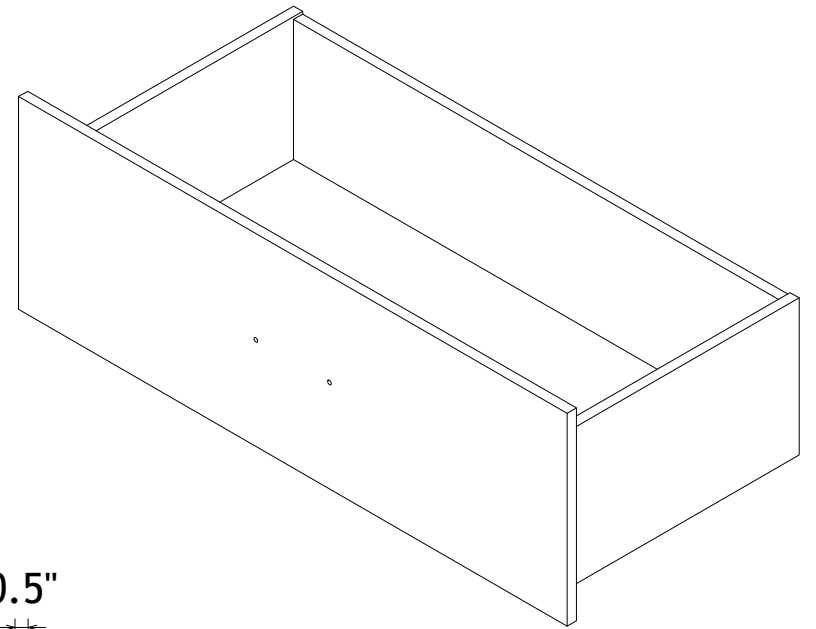
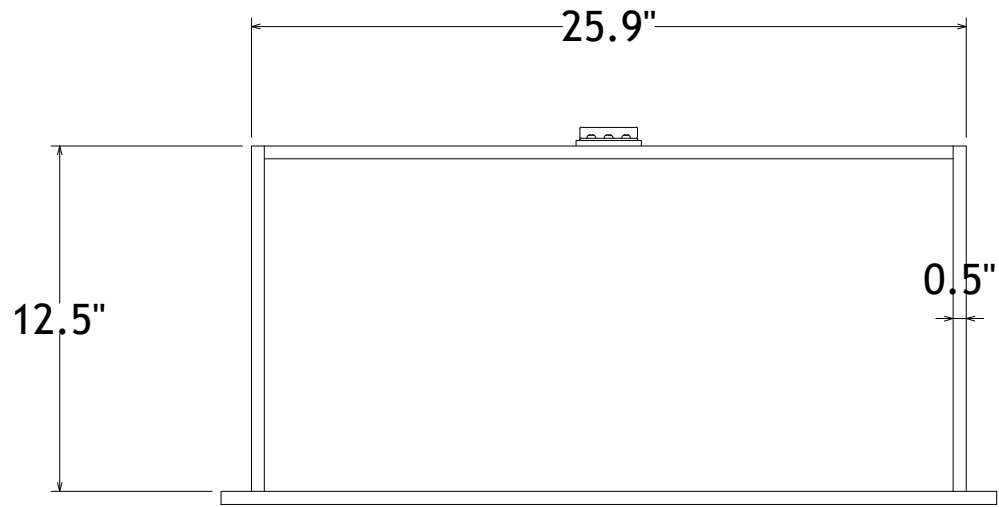


BLAKE-MRR



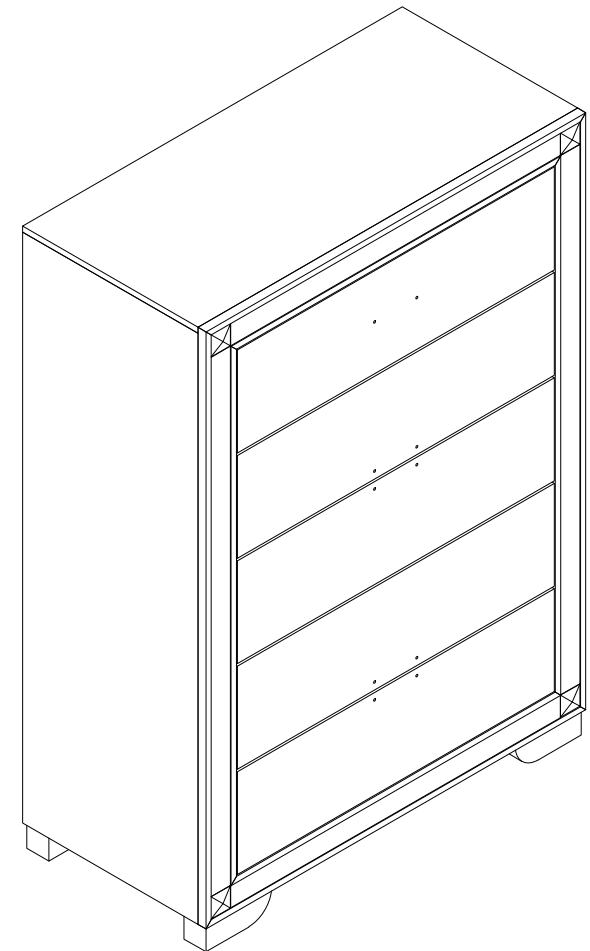
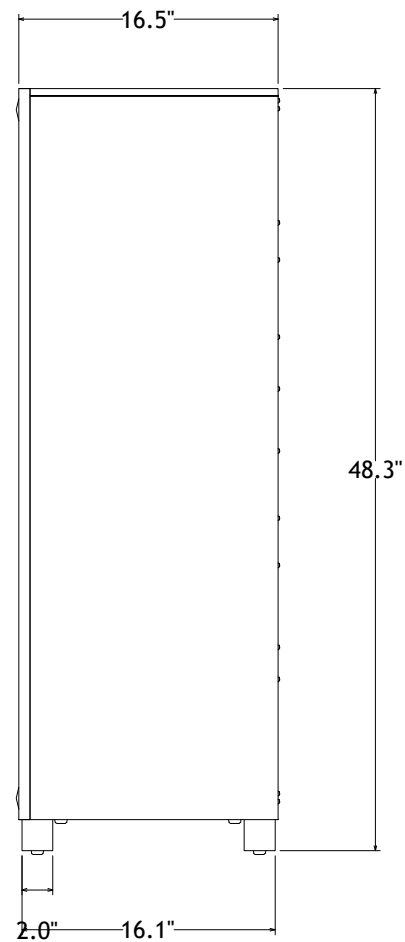
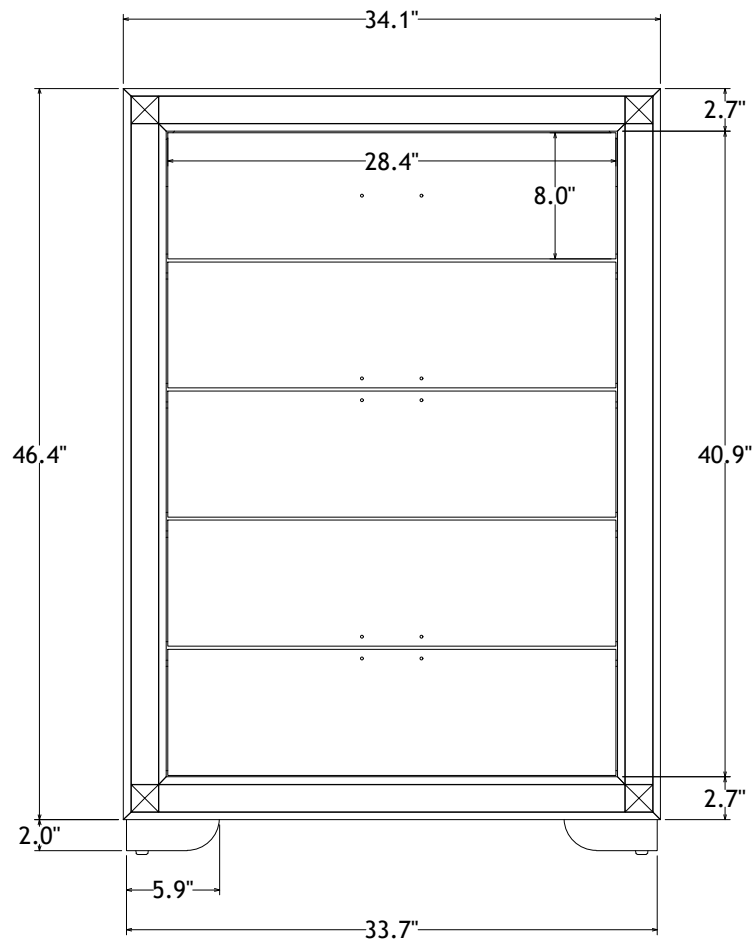
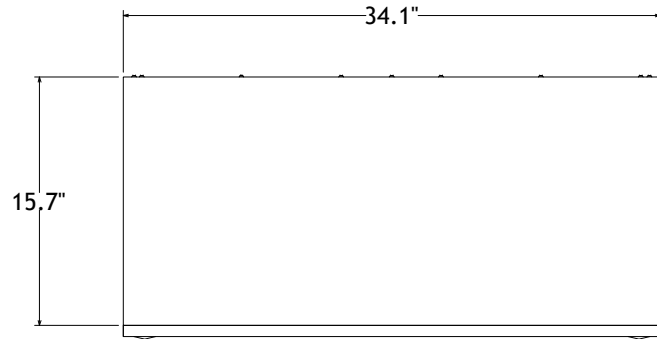
BLAKE-DRR

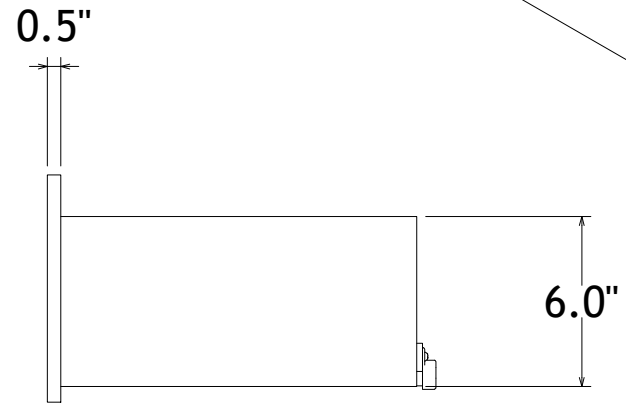
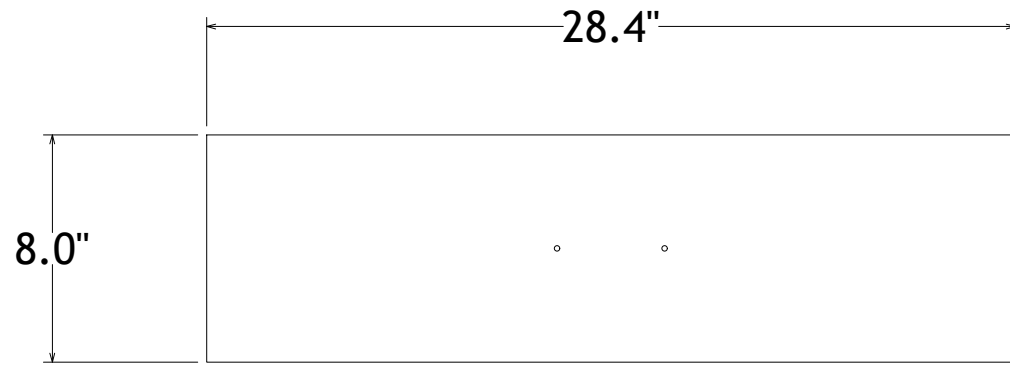
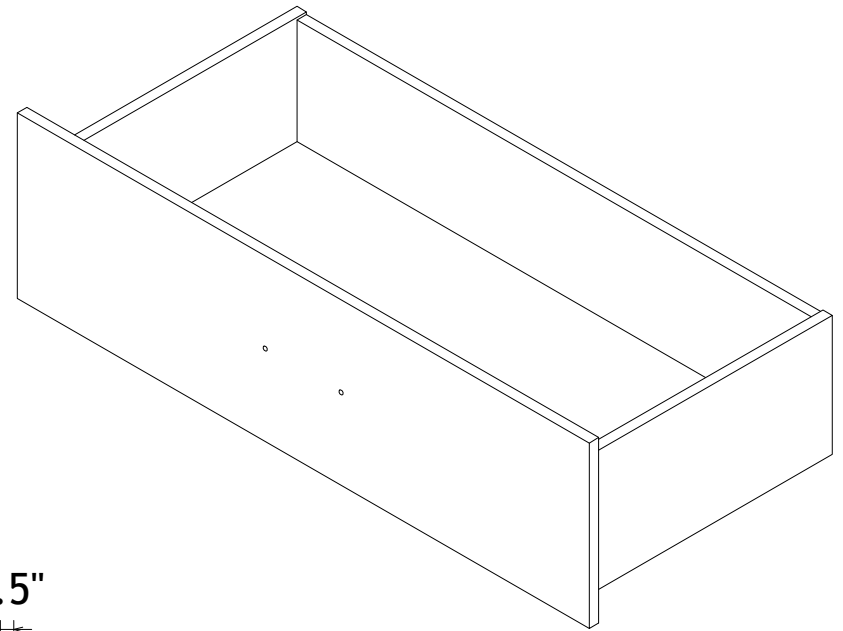
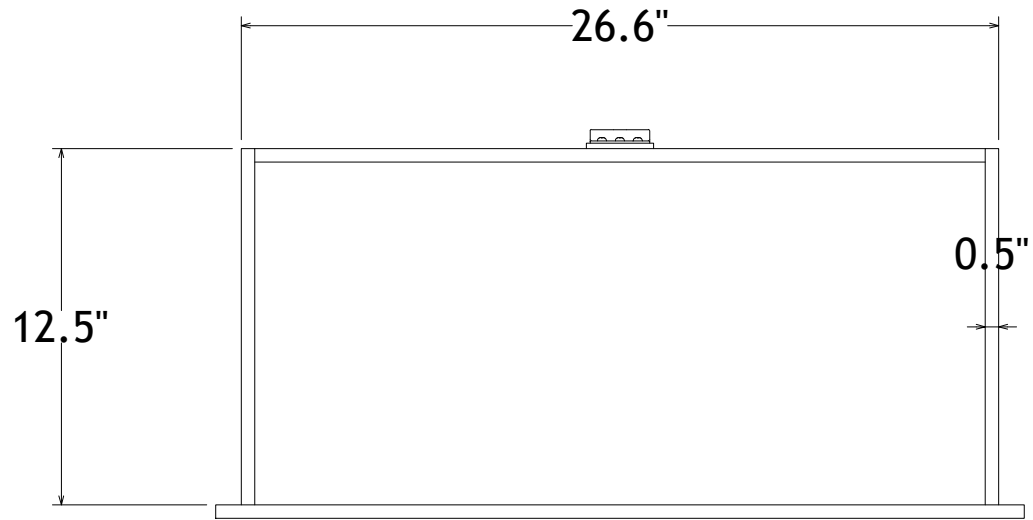




BLAKE-Drawer DRR

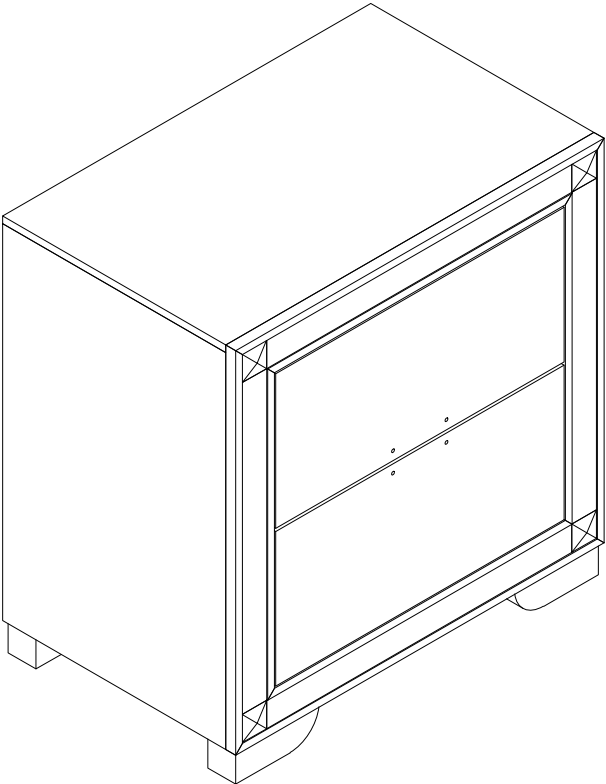
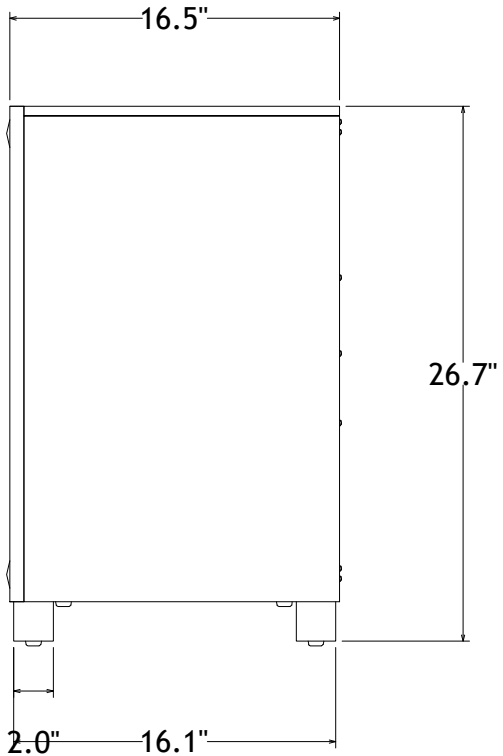
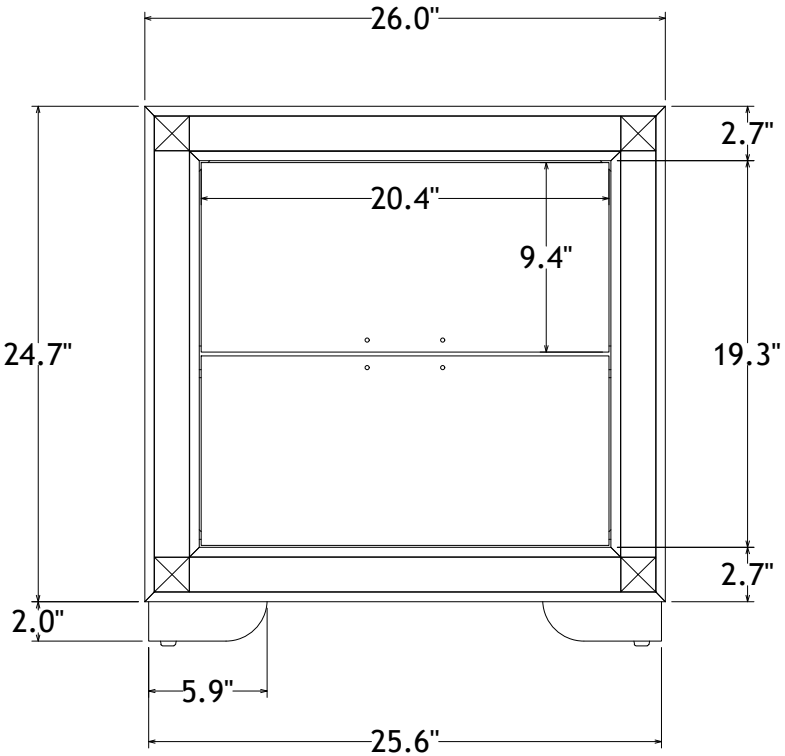
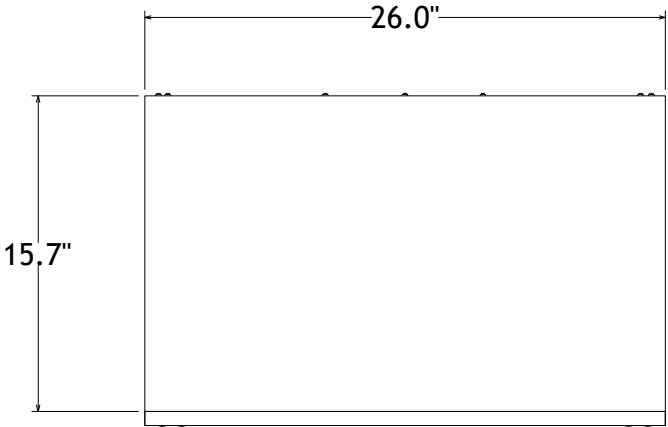
BLAKE-CH

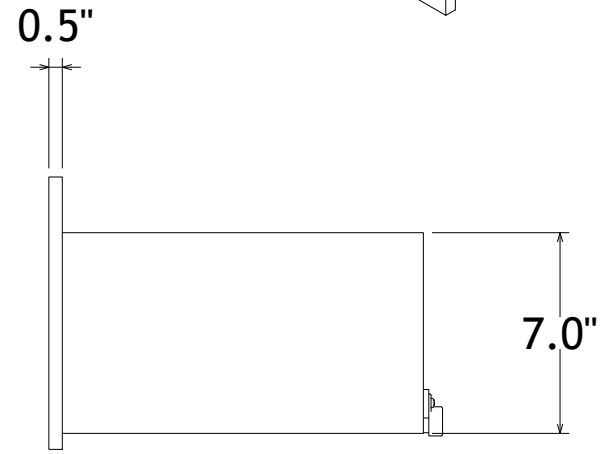
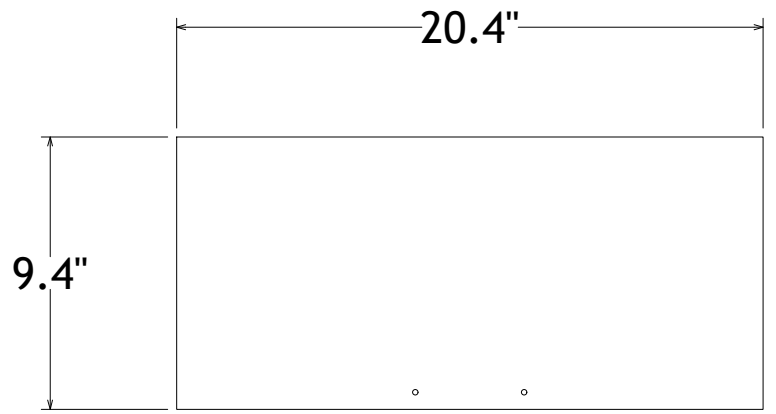
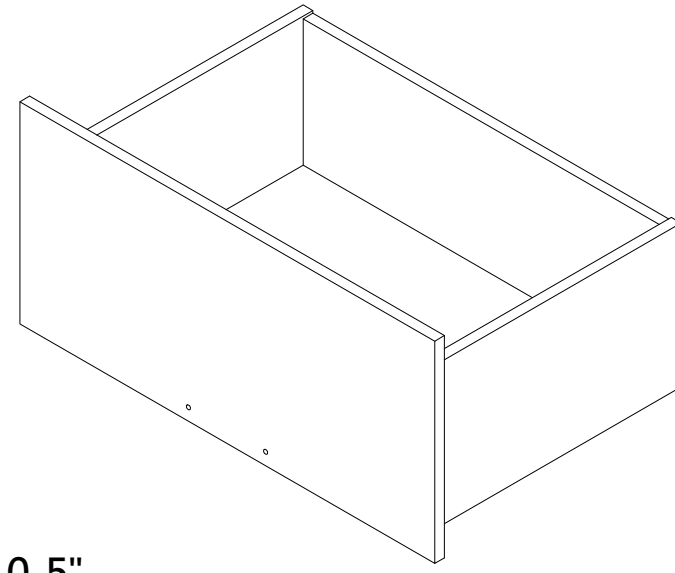
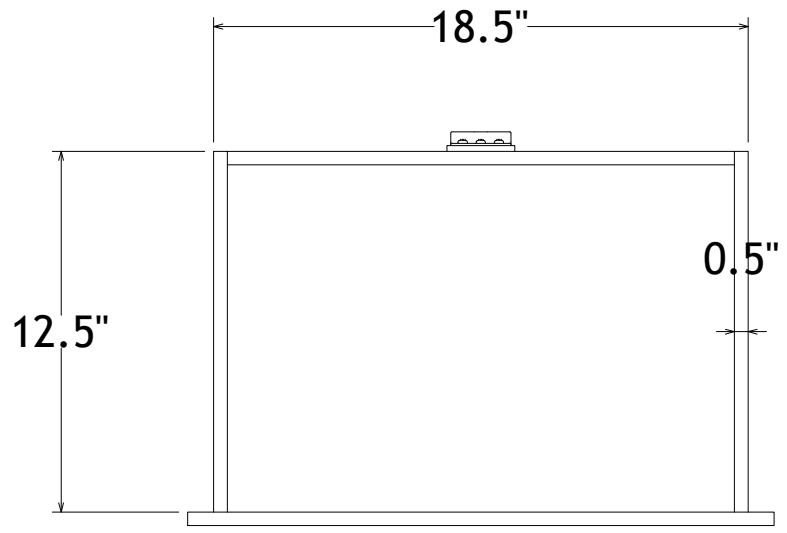




BLAKE-Drawer CH

BLAKE-NS





BLAKE-Drawer NS