



DIPACO
DIESEL
PARTS
U S A

PRODUCT INFORMATION

FI-68

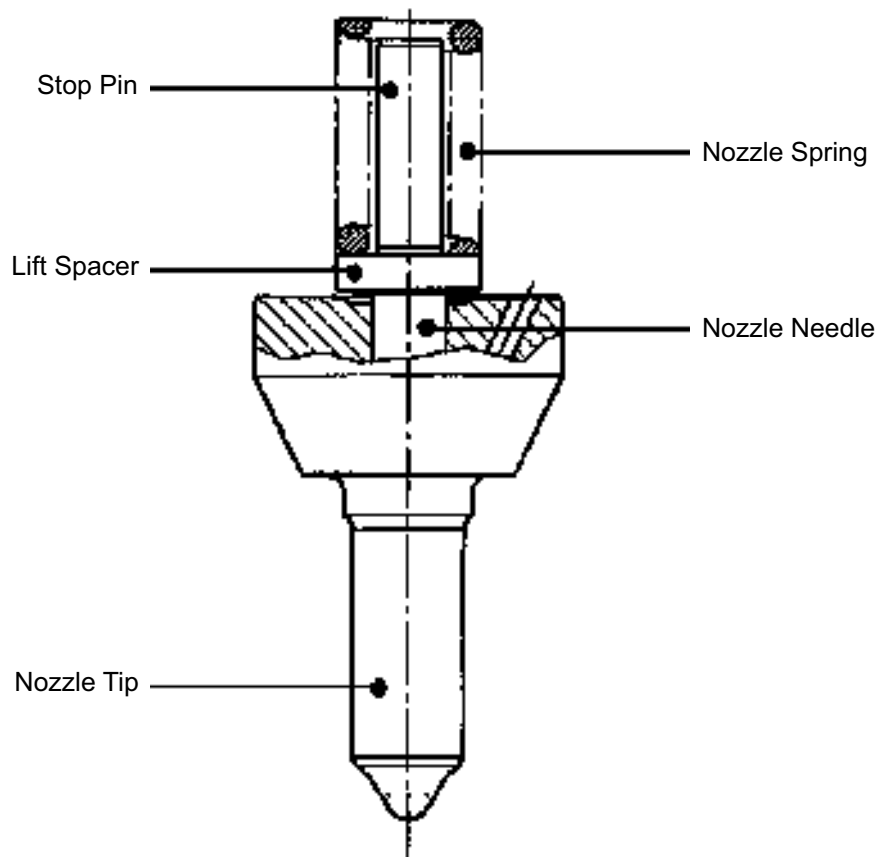
July 1999

File: Power Stroke

Power Stroke Nozzle Group

Now available from DIPACO is the **DPE41007/31** nozzle group for rebuilding the F7TZ-9E527-ARM HEUI injector used in the Ford Power Stroke engine. The nozzle group includes the tip and needle plus the lift spacer, stop pin, and nozzle spring needed to insure proper needle lift and valve opening pressure. Each nozzle group is tested at the time of manufacture and made up of all new parts.

SPECIAL NOTE: The nozzle group is sold on an outright basis. However, the used nozzle assembly can be returned to DIPACO for a \$10 credit. There is no time limit for returning used nozzle assemblies. Contact DIPACO if you have any questions regarding returning used nozzle assemblies for credit.



ADMINISTRATION
(775) 329-7511
(775) 329-9740 Fax
admin@dipaco.com E-mail

DIPACO, Inc.
105 East Parr Blvd.
Reno, Nevada, 89512 • USA
Internet: www.dipaco.com

SALES
Toll Free (800) 648-4720
Toll Free Fax (888) 320-7761
E-mail sales@dipaco.com