



DIPACO
DIESEL
PARTS
U S A

PRODUCT INFORMATION

FI-69

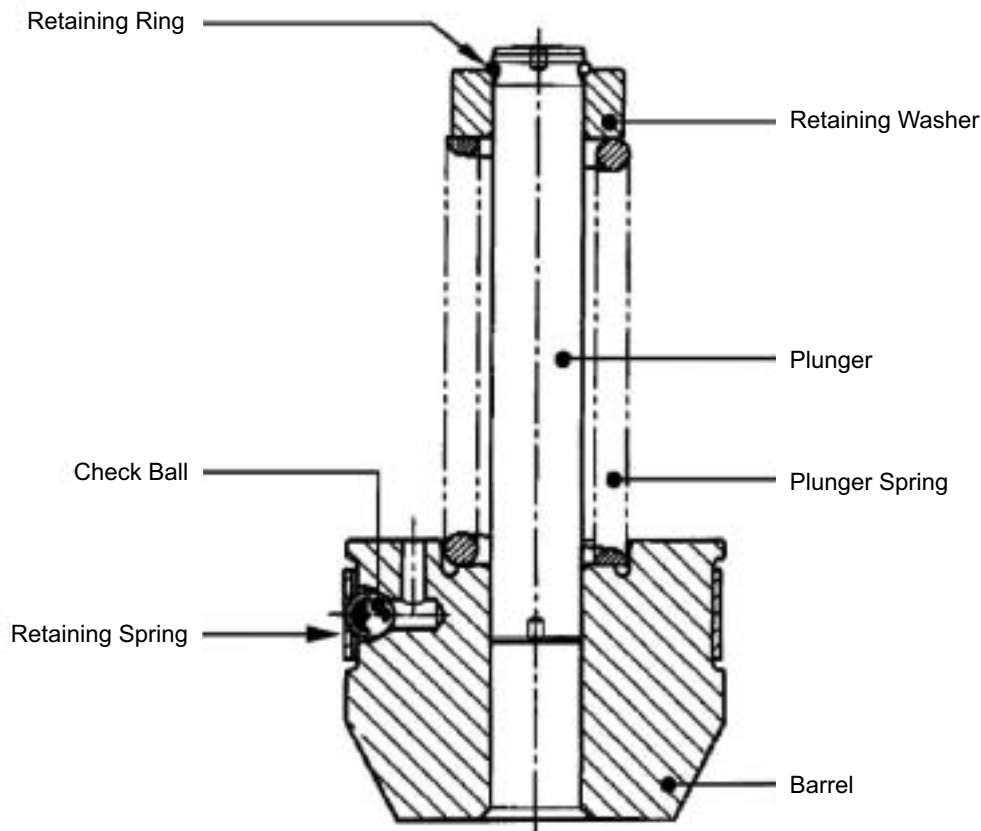
July 1999

File: Power Stroke

Power Stroke Plunger and Barrel Group

The **DPE06000/31** plunger and barrel group is now available for rebuilding the F7TZ-9E527-ARM HEUI injector used in the Ford Power Stroke engine. The P&B group includes the plunger and barrel as well as the check ball, retaining spring, plunger spring, plunger retaining washer, and retaining ring to insure correct operation. The plunger and barrel are matched under very close tolerances and must not be interchanged with other P&B assemblies. Due to the extremely high pressure the P&B operates under, it is a high mortality item and usually the first major component of the injector to require replacement. Each P&B group is tested at the time of manufacture and made up of all new parts.

SPECIAL NOTE: The P&B group is sold on an outright basis. However, the used P&B assembly can be returned to DIPACO for a \$10 credit. There is no time limit for returning used P&B assemblies. Contact DIPACO if you have any questions regarding returning used P&B assemblies for credit.



ADMINISTRATION
(775) 329-7511
(775) 329-9740 Fax
admin@dipaco.com E-mail

DIPACO, Inc.
105 East Parr Blvd.
Reno, Nevada, 89512 • USA
Internet: www.dipaco.com

SALES
Toll Free (800) 648-4720
Toll Free Fax (888) 320-7761
E-mail sales@dipaco.com