



DIPACO
DIESEL
PARTS
U S A

PRODUCT INFORMATION

FI-71

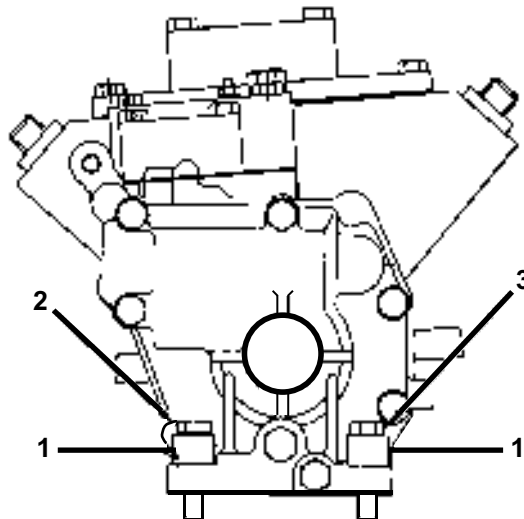
July 1999

File: Caterpillar

New Hold Down Bolts for 3208 Governor Housing

The introduction of the **D9L6925** fastener kit will result on longer life for the 3208 governor housing. There has been a major change to the system used to bolt the governor housing to the cylinder block on 3208 engines. The two bolts securing the governor housing to the cylinder block have been lengthened and a spacer has been added. The use of the **D125-1414** (1) spacers increases the bolt stretch and improves joint clamp loading. The assembly torque for these two bolts has been increased from 14 lb ft (19 Nm) to 16 lb ft (21 Nm). The spacers will also reduce occurrences of the flange areas breaking off of the governor housing.

The **D7F5634** (3) ground body bolt is a replacement for the **D4B3388** bolt on the right side of the governor housing. The body of the **D7F5634** bolt has been ground to help improve governor housing alignment during installation. The **D1A9579** (2) bolt replaces the **D4B3388** bolt on the left side of the governor housing. The two bolts and two spacers are available in the **D9L6925** fastener kit or separately.



View of 3208 Governor Housing showing
D9L6925 Fastener Kit

ADMINISTRATION
(775) 329-7511
(775) 329-9740 Fax
admin@dipaco.com E-mail

DIPACO, Inc.
105 East Parr Blvd.
Reno, Nevada, 89512 • USA
Internet: www.dipaco.com

SALES
Toll Free (800) 648-4720
Toll Free Fax (888) 320-7761
E-mail sales@dipaco.com